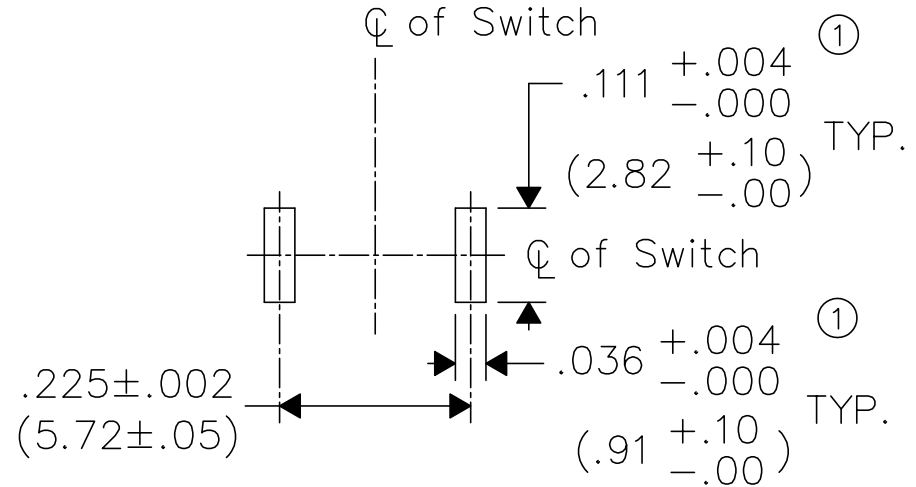


P.C. LAYOUT



FORM-B4	REVISIONS	1
		REDRAWN. REMOVED NOTE 1.
		ADDED TYP. 2 PLACES.
		DGW 3-20-2002 Mar. 26, 2002

PDF File Made	<b>CW INDUSTRIES</b>	
	Southampton, Pa. 18966	
	TOLERANCES UNLESS OTHERWISE SPECIFIED	
	2 Place Decimal ±.010	METRIC
	3 Place Decimal ±.005	1 Place Dec. ±.25mm
	Angles ..... ±1°	2 Place Dec. ±.13mm
Made for:	CW IND.	
Drawn by:	DGW 3-20-2002	
Checked by:	GG 3-26-02	
Approval:	BF 3-25-02	

Title:	SWIDGET JR. ASSEMBLY (S.P.-S.T.)
Division:	SWITCH
Dwg. No.	G-105-0513