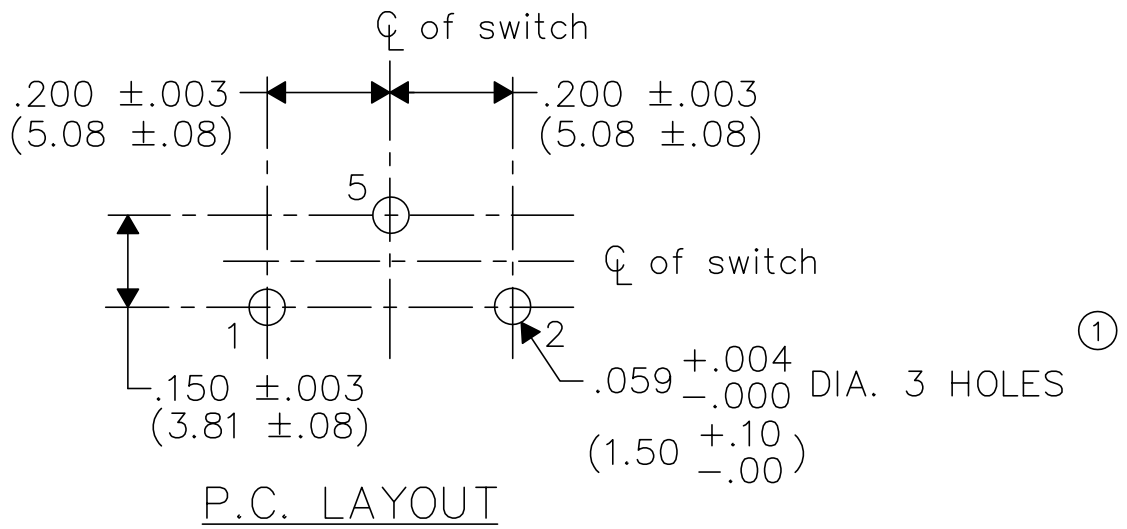
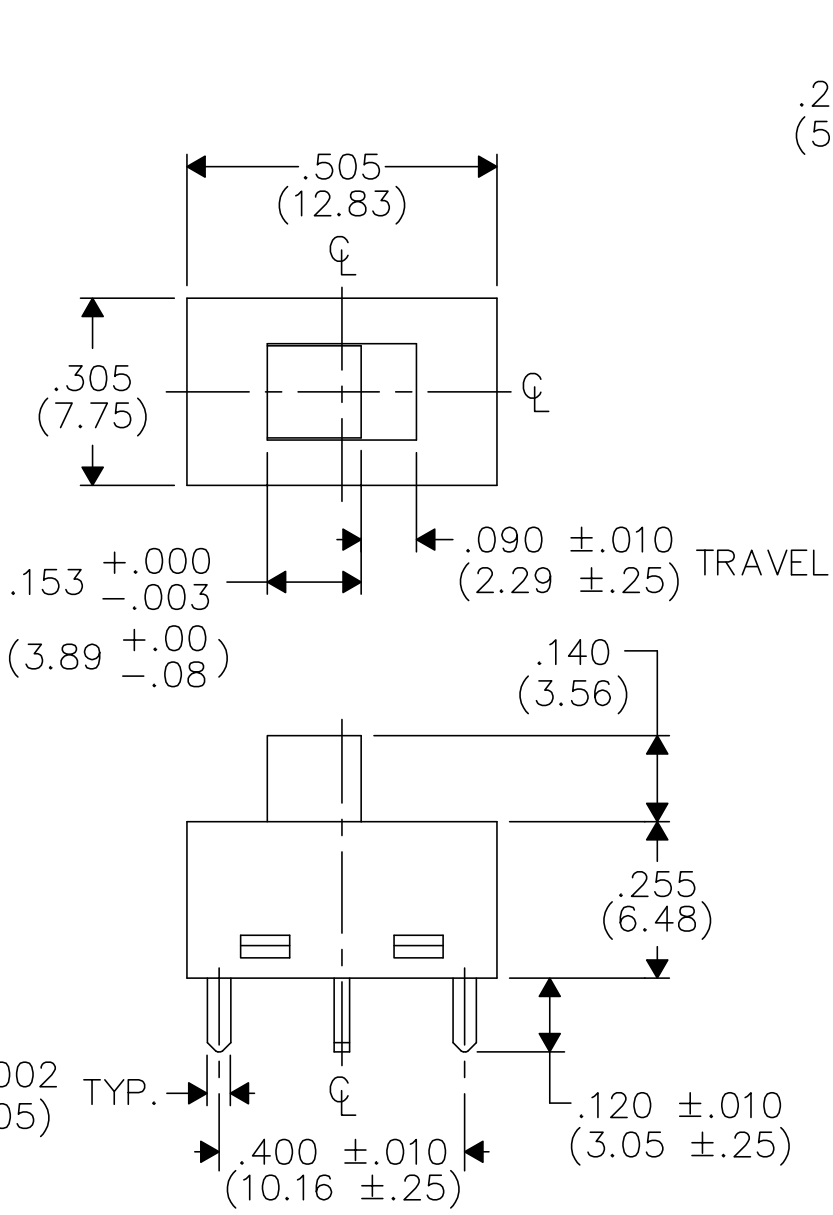
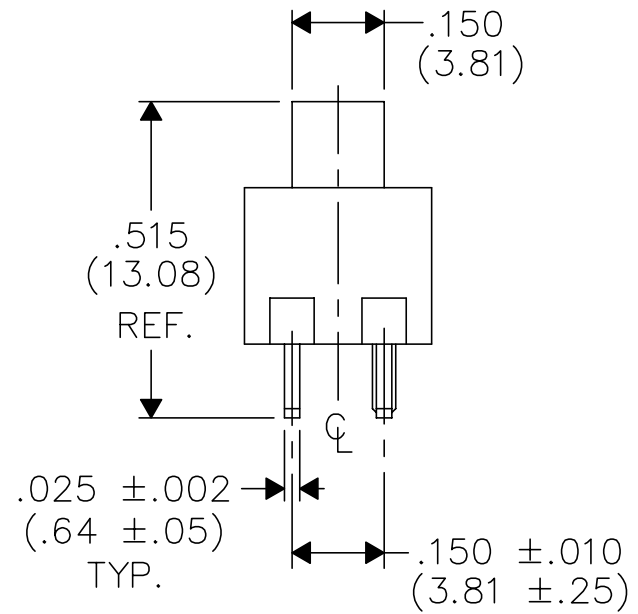


DIMENSIONS IN INCHES (MILLIMETERS)
DO NOT SCALE DRAWING

Dwg. No.
G-107-0513



NOTE:
DIMENSIONS IN () ARE IN MILLIMETERS.



FORM-B4	REVISIONS	0	1
RELEASED. E.C.J. 3-10-87			
GZ 3-11-87			
REDRAWN. .059+.004 DIA. 3 HOLES -.000			
WAS 5 HOLES. DGW 3-05-01 3-08-2001			

1	2	3	4	5	6	7	8	9	10
---	---	---	---	---	---	---	---	---	----

PDF File Made	CW INDUSTRIES Southampton, Pa. 18966	
	TOLERANCES UNLESS OTHERWISE SPECIFIED	
	2 Place Decimal ±.010	METRIC
	3 Place Decimal ±.005	1 Place Dec. ±.25mm
	Angles ±1'	2 Place Dec. ±.13mm
Made for:	CW IND.	
Drawn by:	DGW 3-05-2001	
Checked by:	GG 3-5-01	
Approval:	BF 3-7-01	

Title:	SWIDGET Jr. ASSEMBLY S.P.- D.T.
Division:	SWITCH
Dwg. No.	G-107-0513