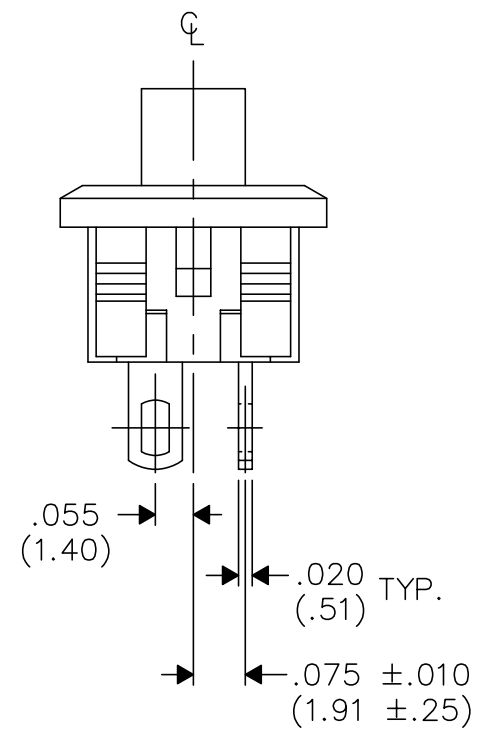
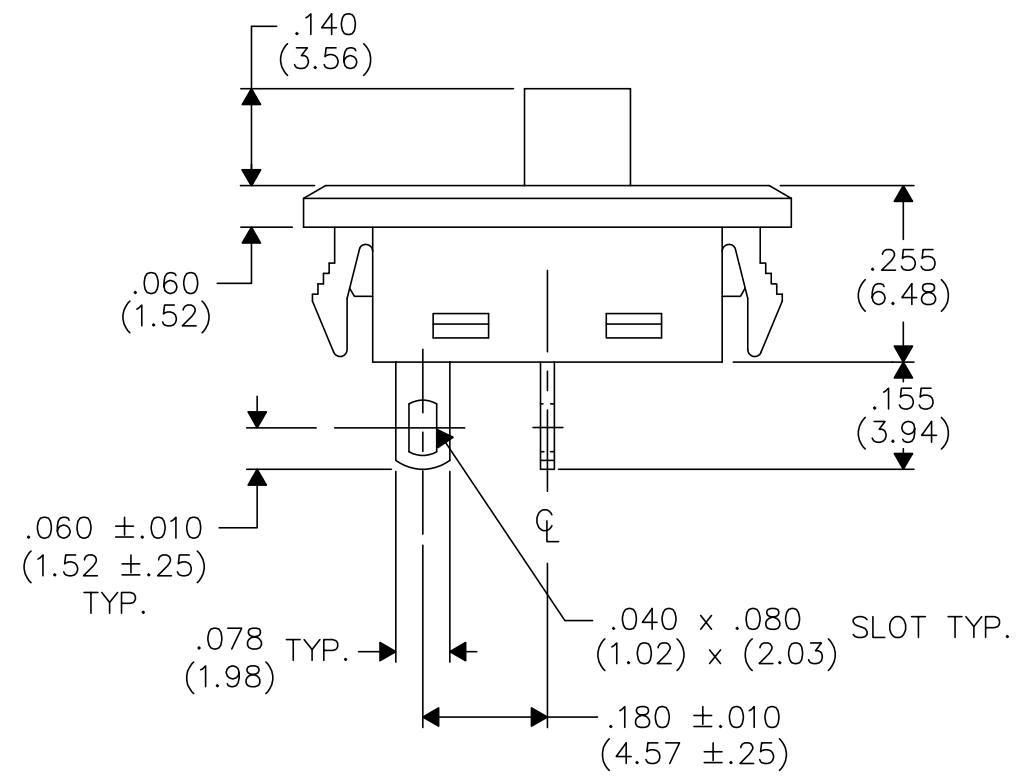
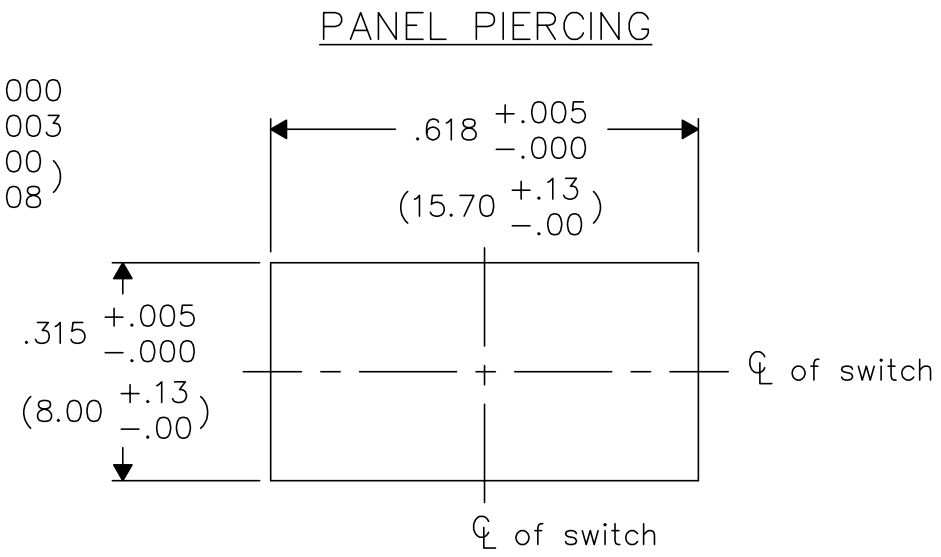
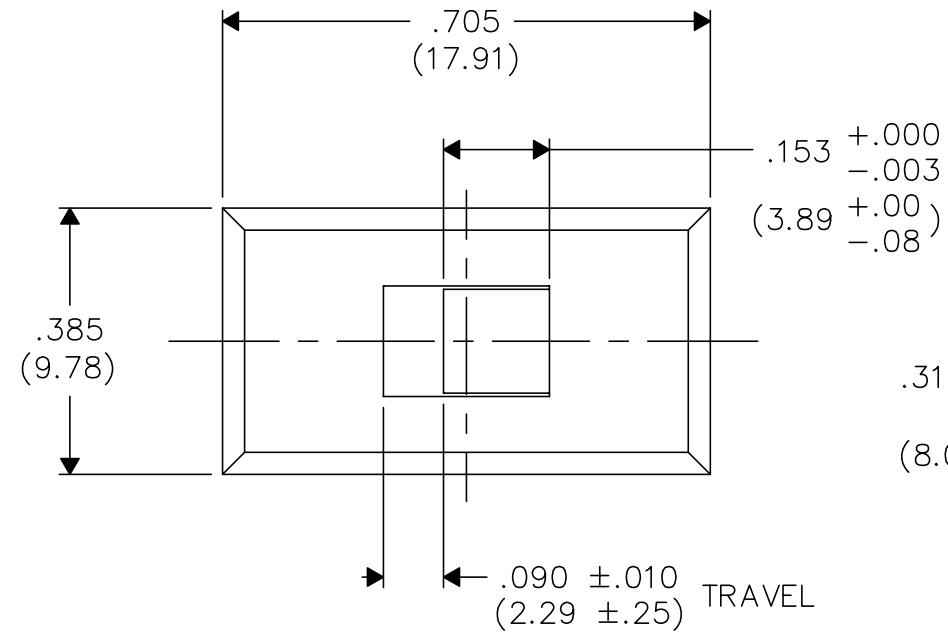


DIMENSIONS IN INCHES (MILLIMETERS)
DO NOT SCALE DRAWING

Dwg. No.

G-107SI-0005



FORM-B

REVISIONS

0

RELEASED
DGW 8-08-94
RBK

PDF File Made

CW INDUSTRIES
Southampton, Pa. 18966

TOLERANCES UNLESS OTHERWISE SPECIFIED

2 Place decimal $\pm .010$	METRIC
3 Place decimal $\pm .005$	1 Place dec. $\pm .25\text{mm}$
Angles $\pm 1^\circ$	2 Place dec. $\pm .13\text{mm}$

Made for: CW IND.

Drawn by: DGW 8-08-94

Checked by: GG 8-10-94

Approval: RBK 8-10-94

Title: MICRO SWITCH
ASSEMBLY
SNAP-IN
S.P. - S.T.

Division: SWITCH

Dwg. No.
G-107SI-0005