



# 3-Wire Relay Receiver

315Mhz Receivers  
 E3X-R12-3HOTP (120 VAC)  
 E3X-R24-3HOTP (240 VAC)  
 E3X-R27-3HOTP (277 VAC)

902MHz Receivers  
 E9X-R12-3HOTP (120 VAC)  
 E9X-R24-3HOTP (240 VAC)  
 E9X-R27-3HOTP (277 VAC)

ILLUMRA™ single channel relay receivers allow lights to be controlled by ILLUMRA self-powered switches, remotes, and sensors. The line-voltage relays help simplify advanced wireless lighting control.

## Easy-To-Use

- Installs in minutes, programs in seconds
- Requires no switch leg or traveler wires
- Compatible with ILLUMRA transmitters

## Reliable Range

- 50-150 foot range (typical)
- Each unit stores up to 25 light switch IDs
- Error checking on all packet transfers

## Save Time and Money

Avoid costly and time-consuming installation of hardwire switches in your remodel or retrofit by choosing wireless ILLUMRA switches and receivers.

## Save Energy

Conserve energy and save money by connecting the receiver to an ILLUMRA occupancy sensor or by programming all lights to respond to a single master switch. ILLUMRA makes it easy to keep lights and systems off when not in use!



## Simple Wireless Controls

- Architectural lighting
- Load shedding
- Manual or Automatic ON/ OFF motion controls

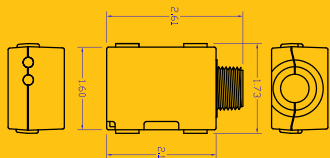
## Control The Way You Want It

- Control the 3-Wire Relay Receiver with a variety of devices:
- Self-powered wireless light switches
- Wireless occupancy sensors, Manual or Automatic ON

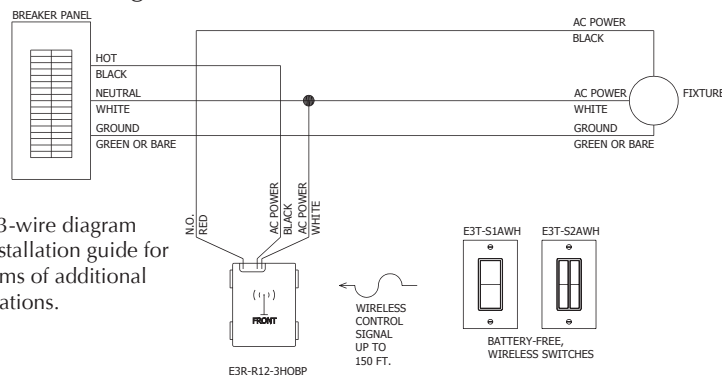
		E3X-R12-3HOTP E9X-R12-3HOTP	E3X-R24-3HOTP E9X-R24-3HOTP	E3X-R27-3HOTP E9X-R27-3HOTP
Range		50-150 feet (typical)		
Frequency		315 or 902 MHz		
Relay Output		120 VAC	240 VAC	277 VAC
Max Loads/ Contact Ratings	Tungsten / Incandescent	1500 W	3000 W	3400 W
	Fluorescent Ballast	8 A		
	General Duty	16 A		
	A300 Pilot Duty	360 VA	720 VA	830 VA
Power Supply		120 VAC 50/60 Hz	240 VAC 50/60 Hz	277 VAC 50/60 Hz
Output Channels		1 FORM A Relay		
Memory		Stores up to 25 switch IDs		
Dimensions		2.11 x 1.73 x 1.09 inches (54 x 44 x 28 mm)		
Operating Temperature		14° to +122°F (-10° to +50°C)		
Storage Temperature		-4° to +176°F (-20° to +80°C)		
Transmitted EEP (EnOcean Equipment Profile)		A5-38-08		
Radio Certification		FCC (United States): SZV-TCM2XXC I.C. (Canada): 5713A-TCM2XXC		
Safety Approval		ETL (U.S.): UL244A ETL (Canada): CSAc22.2#14-05		
Plenum Rating		UL2043		

## Network Diagram

Threaded Nipple Relay



Basic 3-wire diagram  
 See installation guide for diagrams of additional applications.



ILLUMRA  
 Lindon, UT 84042

T: (801) 349-1200  
 Sales@ILLUMRA.com  
 Info@ILLUMRA.com  
 www.ILLUMRA.com

This device or certain aspects thereof is protected by at least one U.S. or international patent or has at least one such patent application pending.



AHD0200D

ILLUMRA is a trademark of Ad Hoc Electronics, LLC. Other trademarks herein are the property of their respective owners.