



5-Wire Relay Receiver

315 MHz
 E3X-R02-5IBTP (24 VAC)
 E3X-R12-5IBTP (120 VAC)
 E3X-R24-5IBTP (240 VAC)
 E3X-R27-5IBTP (277 VAC)

902 MHz
 E9X-R02-5IBTP (24 VAC)
 E9X-R12-5IBTP (120 VAC)
 E9X-R24-5IBTP (240 VAC)
 E9R-R27-5IBTP (277 VAC)

ILLUMRA™ single channel relay receivers allow lights and fans to be controlled by ILLUMRA self-powered wireless switches and sensors. The line-voltage relays help simplify advanced wireless lighting control.

Easy-To-Use

- Installs in minutes, programs in seconds
- Requires no switch leg or traveler wires
- Compatible with all ILLUMRA transmitters

Reliable Range

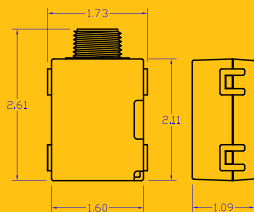
- 50-150 foot range (typical)
- Each unit stores up to 30 light switch IDs
- Error checking ensures receiver only responds to appropriate wireless transmitters

Save Time and Money

Avoid costly and time-consuming installation of hardwired switches in your remodel or retrofit by choosing wireless ILLUMRA switches and receivers.

Save Energy

Conserve energy and save money by connecting the receiver to an ILLUMRA occupancy sensor or by programming all lights to respond to a single master switch. ILLUMRA makes it easy to keep lights and systems off when not in use!



ILLUMRA
 Lindon, UT 84042

T: (801) 349-1200
Sales@ILLUMRA.com
Info@ILLUMRA.com
www.ILLUMRA.com



Simple Wireless Controls

- Single pole, 3 way, and 4 way wireless switches
- Flexibility of isolated Form C relay w/ dry contacts
- Architectural lighting control
- Motor control
- Manual ON/OFF automatic OFF controls

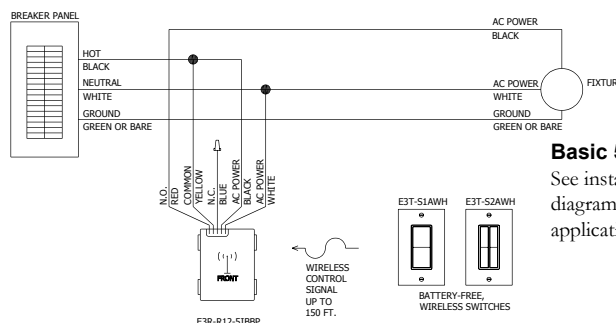
Control The Way You Want

Control the Relay Receiver with a variety of devices:

- Self-powered wireless light switches
- Wireless occupancy sensors with 15 minute vacancy timeout

		E3X-R02-5IBTP E9X-R02-5IBTP	E3X-R12-5IBTP E9X-R12-5IBTP	E3X-R24-5IBTP E9X-R24-5IBTP	E3X-R27-5IBTP E9X-R27-5IBTP
Range		50-150 feet (typical)			
Frequency		315 or 902 MHz			
Relay Output		277 VAC, MAX			
Max Loads/ Contact Ratings	Tungsten (Incandescent) N.O. Contacts / N.C. Contacts	1500 W @ 120 VAC / 300 W @ 120 VAC 3000 W @ 240 VAC / 600 W @ 240 VAC 3400 W @ 277 VAC / 700 W @ 277 VAC			
	Fluorescent Ballast	8 A (N.O. Contacts)			
	General Duty	16 A (N.O. Contacts), 5 A (N.C. Contacts)			
	A300 Pilot Duty	72 VA @ 24 VAC, 360 VA @ 120 VAC, 720 VA @ 240 VAC, 830 VA @ 277 VAC			
Motor Load		60 LRA, 10 FLA, 1/2 HP @ 120 VAC, 1HP @ 240 VAC			
Power Supply		24 VAC 50/60 Hz	120 VAC 50/60 Hz	240 VAC 50/60 Hz	277 VAC 50/60 Hz
Output Channels		1 FORM C Relay COM, N.O., N.C.			
Memory		Stores up to 25 switch IDs			
Dimensions		2.11 x 1.73 x 1.09 inches (54 x 44 x 28 mm)			
Operating Temperature		14° to +122°F (-10° to +50°C)			
Storage Temperature		-4° to +176°F (-20° to +80°C)			
Transmit EEP		A5-38-08 EnOcean Equipment Profile			
Radio Certification		FCC (United States) I.C. (Canada)			
Safety Approval		ETL (U.S.): UL244A ETL (Canada): CSAc22.2#14-05			

Network Diagram



Basic 5-wire diagram

See installation guide for diagrams of additional applications.

This device or certain aspects thereof is protected by at least one U.S. or international patent or has at least one such patent application pending.



AHD0199C

ILLUMRA is a trademark of Ad Hoc Electronics, L.L.C. Other trademarks herein are the property of their respective owners.