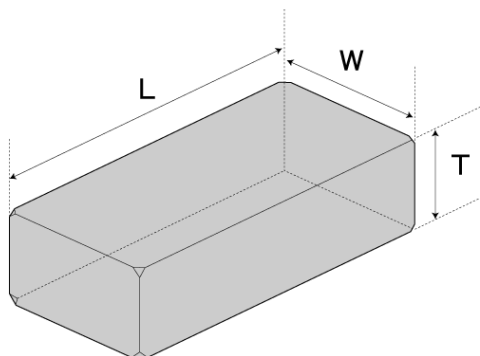


## Chip Antennas

## AH 104F2650S1



## ■ Features

- Item Summary  
WiMAX, 10×4×1mm
- Lifecycle Stage  
Mass Production
- Standard packaging quantity (minimum)  
Taping Embossed 2,000pcs

## ■ Products characteristics table

Temperature Range	-20 to +80°C
Frequency bandwidth	2650MHz(Center)
Peak Gain (Typical)	+1.1 dBi
Average Gain at OMNI plane	-0.2dBi
Efficiency (Typical)	-1.7dB (68%)
V.S.W.R.	3
RoHS Compliance	Yes
Halogen Free	Yes
Soldering Method	Reflow

## ■ External Dimensions

L	10mm +0.3:-0.3
W	4mm +0.3:-0.3
T	1mm +0.3:-0.3

2014.03.05

The data is reference only. Electrical characteristics vary depending on environment or measurement condition.  
 TAIYO YUDEN reserves the right to make change to the Date at any time without notice.  
 Before making final selection, please check product specification.