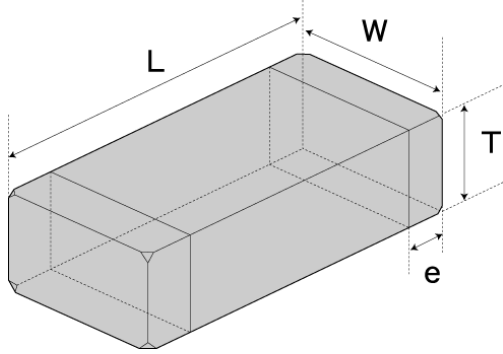


Spec Sheet

High-Q Multilayer Chip Inductors for High Frequency Applications (HK series Q type / AQ series)

AQ10515NJ-T



■ Features

- Item Summary
15nH(±5%), 280mA, 8, 0402
- Lifecycle Stage
Mass Production
- Standard packaging quantity (minimum)
Taping 10000pcs

■ Products characteristics table

CaseSize (EIA/JIS)	0402/1005
Inductance	15nH(±5%)
Inductance Measuring Frequency	100MHz
Rated Current	280mA 360mA
DC Resistance (max)	0.45Ω
Avg. of DC Resistance	0.19Ω
Temperature Range	-55°C to 125°C
Self-resonant Frequency (min)	2300MHz
Q (max)	8min
Q Measuring Frequency	100MHz
RoHS Compliance	Yes
Halogen Free	Yes
Soldering Method	Reflow

■ External Dimensions

L	1mm ±0.05
W	0.6mm ±0.1
H	0.5mm ±0.05
e	0.175mm ±0.075

The data is reference only. Electrical characteristics vary depending on environment or measurement condition.
TAIYO YUDEN reserves the right to make change to the Date at any time without notice.
Before making final selection, please check product specification.

2014.03.05