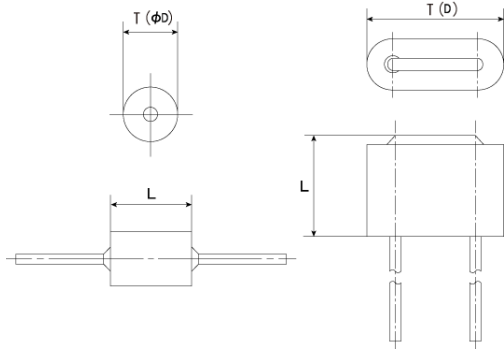


# Leaded Ferrite Bead Inductors

## FBA04HA900BB-00



### ■ Features

- Item Summary  
90Ω, 7A, Leaded
- Lifecycle Stage  
Mass Production
- Standard packaging quantity (minimum)  
Taping 1000pcs

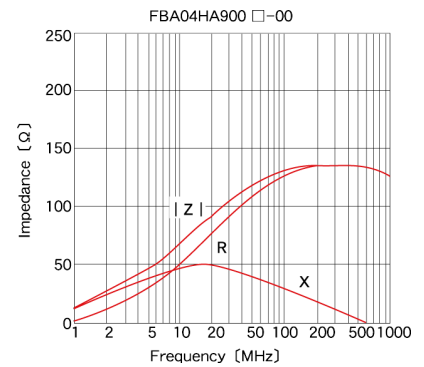
### ■ Products characteristics table

External Dimensions	9(±0.5) × 3.5(±0.2)mm
Impedance (max)	90Ω
Impedance Measuring Frequency	50MHz
Rated Current	7A
DC Resistance (max)	0.01Ω
Temperature Range	-25°C to 85°C
Resistance	1MΩ min.
RoHS Compliance	Yes
Soldering Method	Wave

### ■ External Dimensions

L	9mm ±0.5
T	3.5mm ±0.2

### ■ Typical Characteristics Fig.



2014.03.05

The data is reference only. Electrical characteristics vary depending on environment or measurement condition.  
 TAIYO YUDEN reserves the right to make change to the Date at any time without notice.  
 Before making final selection, please check product specification.