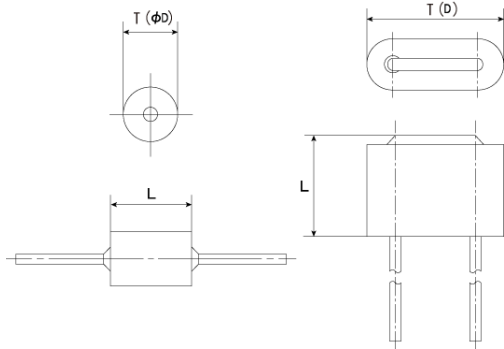


Leaded Ferrite Bead Inductors

FBR07HA121SB-00



■ Features

- Item Summary
120Ω, 7A, Leaded
- Lifecycle Stage
Mass Production
- Standard packaging quantity (minimum)
Taping 2000pcs

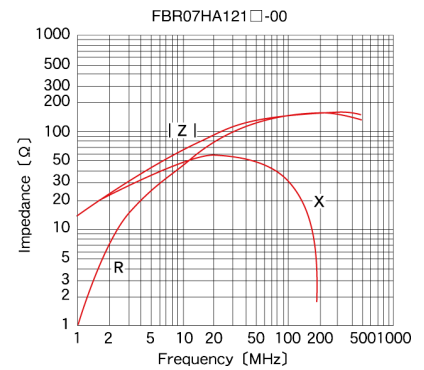
■ Products characteristics table

| | |
|-------------------------------|----------------------|
| External Dimensions | 7.5(-) × 7.5(±0.5)mm |
| Impedance (max) | 120Ω |
| Impedance Measuring Frequency | 50MHz |
| Rated Current | 7A |
| DC Resistance (max) | 0.01Ω |
| Temperature Range | -25°C to 85°C |
| Resistance | 1MΩ min. |
| RoHS Compliance | Yes |
| Soldering Method | Wave |

■ External Dimensions

| | |
|---|------------|
| L | 7.5mm - |
| T | 7.5mm ±0.5 |

■ Typical Characteristics Fig.



The data is reference only. Electrical characteristics vary depending on environment or measurement condition.
 TAIYO YUDEN reserves the right to make change to the Date at any time without notice.
 Before making final selection, please check product specification.

2014.03.05