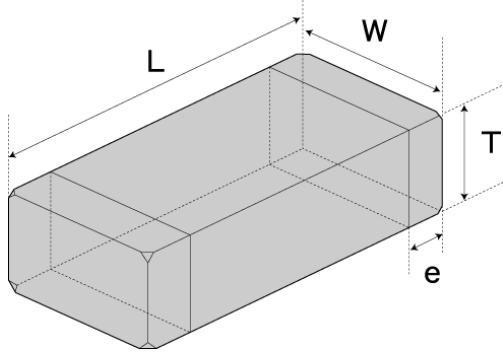


Spec Sheet

( )

2125270 -



■  
 -  
 27 ( 20%), 5 ,0805  
 -  
 - ( )  
 2000

( / )	0805/2012
	27 ( 20%)
	1
	5
( )	1
	-40 85
- ( )	14
( )	30
	/

	2 +0.3:-0.1
	1.25 0.2
	1.25 0.2
	0.5 0.3

The data is reference only. Electrical characteristics vary depending on environment or measurement condition. TAIYO YUDEN reserves the right to make change to the Date at any time without notice. Before making final selection, please check product specification.

2014.03.05