

Notice for TAIYO YUDEN products

Please read this notice before using the TAIYO YUDEN products.

REMINDERS

- Product information in this catalog is as of October 2013. All of the contents specified herein are subject to change without notice due to technical improvements, etc. Therefore, please check for the latest information carefully before practical application or usage of the Products.

Please note that TAIYO YUDEN CO., LTD. shall not be responsible for any defects in products or equipment incorporating such products, which are caused under the conditions other than those specified in this catalog or individual specification.

- Please contact TAIYO YUDEN CO., LTD. for further details of product specifications as the individual specification is available.

- Please conduct validation and verification of products in actual condition of mounting and operating environment before commercial shipment of the equipment.

- All electronic components or functional modules listed in this catalog are developed, designed and intended for use in general electronics equipment.(for AV, office automation, household, office supply, information service, telecommunications, (such as mobile phone or PC) etc.). Before incorporating the components or devices into any equipment in the field such as transportation,(automotive control, train control, ship control), transportation signal, disaster prevention, medical, public information network (telephone exchange, base station) etc. which may have direct influence to harm or injure a human body, please contact TAIYO YUDEN CO., LTD. for more detail in advance.

Do not incorporate the products into any equipment in fields such as aerospace, aviation, nuclear control, submarine system, military, etc. where higher safety and reliability are especially required.

In addition, even electronic components or functional modules that are used for the general electronic equipment, if the equipment or the electric circuit require high safety or reliability function or performances, a sufficient reliability evaluation check for safety shall be performed before commercial shipment and moreover, due consideration to install a protective circuit is strongly recommended at customer's design stage.

- The contents of this catalog are applicable to the products which are purchased from our sales offices or distributors (so called "TAIYO YUDEN' s official sales channel").

It is only applicable to the products purchased from any of TAIYO YUDEN' s official sales channel.

- Please note that TAIYO YUDEN CO., LTD. shall have no responsibility for any controversies or disputes that may occur in connection with a third party's intellectual property rights and other related rights arising from your usage of products in this catalog. TAIYO YUDEN CO., LTD. grants no license for such rights.

- Caution for export

Certain items in this catalog may require specific procedures for export according to "Foreign Exchange and Foreign Trade Control Law" of Japan, "U.S. Export Administration Regulations", and other applicable regulations. Should you have any question or inquiry on this matter, please contact our sales staff.

MULTILAYER EMI SUPPRESSION FILTERS



REFLOW

■ PARTS NUMBER

*Operating Temp. : -25~+85°C

[T Series]

F	K	2	1	2	5	T	△	2	5	6	A	L	-	T	△
①		②			③	④			⑤	⑥	⑦	⑧			

△ = Blank space

① Series name

Code	Series name
FK	Multilayer EMI suppression filter

② Dimensions (L × W)

Code	Type (inch)	Dimensions (L × W) [mm]
2125	2125(0805)	2.0 × 1.25

③ Equivalence circuit

Code	Equivalence circuit
T	T type

④ Cutoff frequency

Code (example)	Cutoff frequency
△186	18 MHz
△256	25 MHz

⑤ Characteristic

Code (example)	Characteristic
A	Sharp

⑥ Rated voltage

Code	Rated voltage [V]
L	10

⑦ Packaging

Code	Packaging
-T	Taping

⑧ Internal code

Code	Internal code
△	Standard

[TZ Series]

F	K	2	1	2	5	T	Z	2	0	1	C	8	5	0	T	△
①		②			③	④			⑤	⑥	⑦					

△ = Blank space

① Series name

Code	Series name
FK	Multilayer EMI suppression filter

② Dimensions (L × W)

Code	Type (inch)	Dimensions (L × W) [mm]
2125	2125(0805)	2.0 × 1.25

③ Equivalence circuit

Code	Equivalence circuit
T	T type

④ Nominal impedance

Code	Nominal impedance [100MHz]
Z700	70 Ω
Z101	100 Ω
Z201	200 Ω

⑤ Nominal capacitance

Code	Nominal capacitance [1MHz]
C170	17pF
C500	50pF
C850	85pF

⑥ Packaging

Code	Packaging
T	Taping

⑦ Internal code

Code	Internal code
△	Standard

■ STANDARD EXTERNAL DIMENSIONS / STANDARD QUANTITY



L	W	T	e ¹	e ²	Standard quantity [pcs] Embossed tape
2.0 ± 0.2 (0.079 ± 0.008)	1.25 ± 0.2 (0.049 ± 0.008)	1.0 ± 0.2 (0.039 ± 0.008)	0.3 ± 0.2 (0.012 ± 0.008)	0.4 ± 0.2 (0.016 ± 0.008)	3000

Unit: mm (inch)

NOISE SUPPRESSION COMPONENTS / MULTILAYER EMI SUPPRESSION FILTERS

► This catalog contains the typical specification only due to the limitation of space. When you consider the purchase of our products, please check our specification. For details of each product (characteristics graph, reliability information, precautions for use, and so on), see our Web site (<http://www.ty-top.com/>).

● T Series

Parts number	EHS	Cut off frequency [MHz]	insertion loss [1MHz]	Characteristic								DC resistance [Ω] (max.)	Rated voltage [V] (DC)	Rated current [mA] (DC)	Insulation resistance [M Ω]
				attenuation											
				50MHz	100MHz	200MHz	350MHz	500MHz	600MHz	800MHz					
FK2125T 186AL-T	RoHS	18±3.6	≤1.0dB	≥20dB	≥20dB	-	-	≥20dB	-	-	2	10	100	≥30	
FK2125T 256AL-T	RoHS	25±5	≤1.0dB	≥15dB	≥20dB	-	-	≥20dB	-	-	2	10	100	≥30	
FK2125T 406AL-T	RoHS	40±10	≤1.0dB	-	≥15dB	≥20dB	-	≥20dB	-	-	2	10	100	≥30	
FK2125T 107AL-T	RoHS	100±20	≤1.0dB	-	-	≥20dB	-	≥20dB	-	-	3	10	100	≥30	
FK2125T 167AL-T	RoHS	160±30	≤1.0dB	-	-	-	≥20dB	≥20dB	-	-	2	10	100	≥30	
FK2125T 207AL-T	RoHS	200±40	≤1.0dB	-	-	-	≥20dB	≥20dB	-	-	2	10	100	≥30	
FK2125T 407AL-T	RoHS	400±80	≤1.0dB	-	-	-	-	-	≥20dB	≥20dB	2	10	100	≥30	

● TZ Series

Parts number	EHS	Impedance (terminal1-3) [100MHz]	Capacitance (terminal1-2) [1MHz]	DC resistance [Ω] (max.)	Rated voltage [V] (DC)	Rated current [mA] (DC)	Insulation resistance [M Ω]
FK2125TZ700C170T	RoHS	70 Ω ±30%	17pF±20%	2	10	100	≥30
FK2125TZ700C500T	RoHS	70 Ω ±30%	50pF±20%	2	10	100	≥30
FK2125TZ700C850T	RoHS	70 Ω ±30%	85pF±20%	2	10	100	≥30
FK2125TZ101C170T	RoHS	100 Ω ±30%	17pF±20%	2	10	100	≥30
FK2125TZ101C500T	RoHS	100 Ω ±30%	50pF±20%	2	10	100	≥30
FK2125TZ101C850T	RoHS	100 Ω ±30%	85pF±20%	2	10	100	≥30
FK2125TZ201C850T	RoHS	200 Ω ±30%	85pF±20%	2	10	100	≥30

MULTILAYER EMI SUPPRESSION FILTERS

PACKAGING

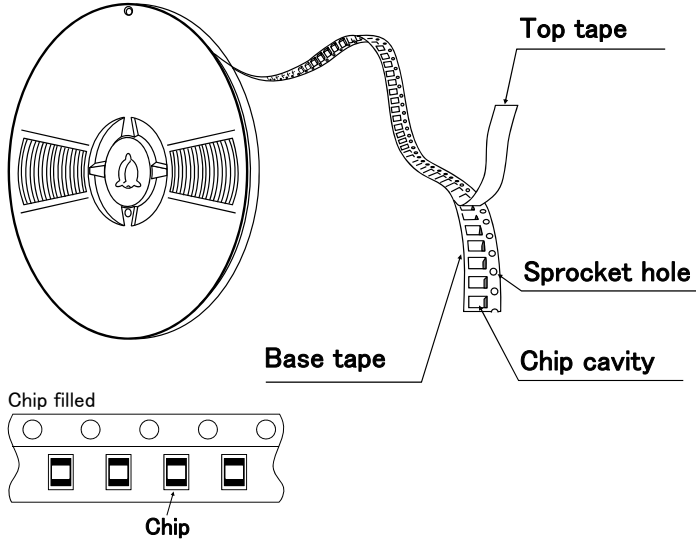
① Minimum Quantity

● Taped package

Type	Thickness mm (inch)	Standard Quantity [pcs]
		Embossed tape
FK 2125 (0805)	1.0 (0.039)	3000

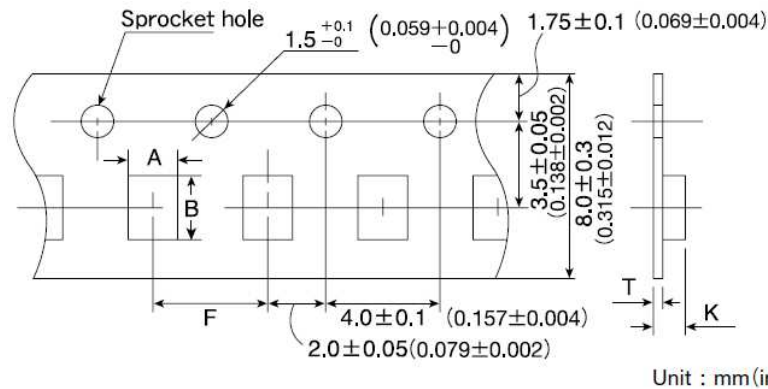
② Tape material

● Embossed Tape



③ Taping dimensions

● Embossed tape 8mm wide

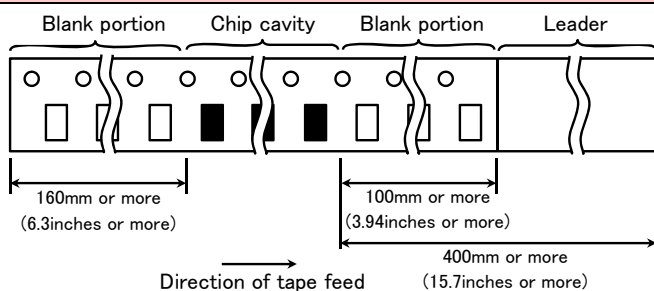


Unit : mm (inch)

Type	Chip cavity		Insertion pitch	Tape thickness	
	A	B	F	K	T
FK 2125 (0805)	1.5 ± 0.2 (0.059 ± 0.008)	2.3 ± 0.2 (0.091 ± 0.008)	4.0 ± 0.1 (0.157 ± 0.004)	2.0 max. (0.079 max.)	0.3 max. (0.012 max.)

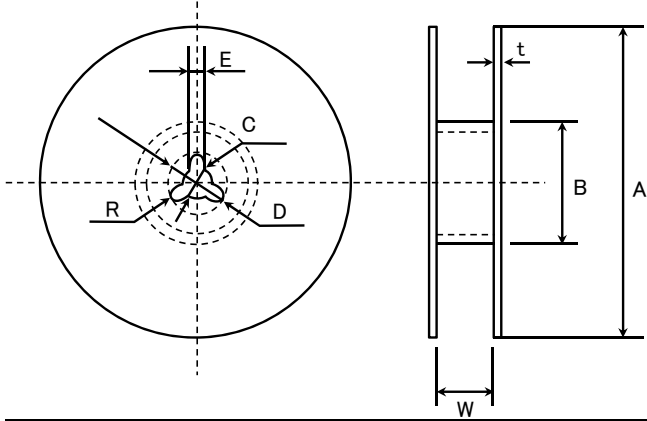
Unit : mm (inch)

④ Leader and Blank portion



▶ This catalog contains the typical specification only due to the limitation of space. When you consider the purchase of our products, please check our specification. For details of each product (characteristics graph, reliability information, precautions for use, and so on), see our Web site (<http://www.ty-top.com/>).

⑤ Reel size

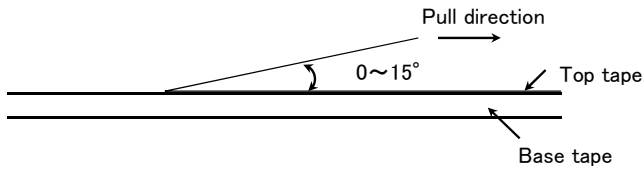


A	B	C	D	E	R	t	W
$\phi 178 \pm 2.0$	$\phi 50 \text{min.}$	$\phi 13.0 \pm 0.2$	$\phi 21.0 \pm 0.8$	2.0 ± 0.5	1.0	2.5max.	10 ± 1.5

Unit : mm

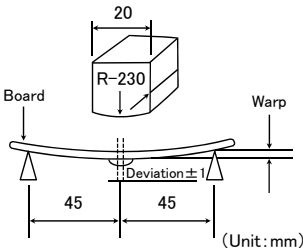
⑥ Top tape strength

The top tape requires a peel-off force of 0.1~0.7N in the direction of the arrow as illustrated below.



MULTILAYER EMI SUPPRESSION FILTERS

RELIABILITY DATA

1. Operating Temperature Range	
Specified Value	-25~+85°C
2. Storage Temperature Range	
Specified Value	-25~+85°C
3. Rated Voltage	
Specified Value	10V DC
4. Rated Current	
Specified Value	100mA DC
5. Cutoff frequency (T Series)	
Specified Value	18MHz±3.6MHz, 25MHz±5MHz, 40MHz±10MHz, 100MHz±20MHz, 160MHz±30MHz, 200MHz±40MHz, 400MHz±80MHz
Test Methods and Remarks	Measuring equipment : 8753D (or its equivalent) Measuring source : 0dBm Input-Output impedance : 50Ω
6. Impedance (TZ Series)	
Specified Value	70Ω±30%, 100Ω±30%, 200Ω±30%
Test Methods and Remarks	Measuring frequency : 100MHz Measuring equipment : 4291A (or its equivalent) Measuring jig : 16192A Measuring source : -20dBm
7. Capacitance (TZ Series)	
Specified Value	17pF±20%, 50pF±20%, 85pF±20%
Test Methods and Remarks	Measuring equipment : 4194A (or its equivalent) Measuring voltage : 0.5V Measuring frequency : 1MHz Capacitance measurement between Terminals 1 and 2.
8. DC Resistance	
Specified Value	2Ω max., 3Ω max. (FK2125T107AL)
Test Methods and Remarks	Conduct measurement between Terminals 1 and 3.
9. Insulation Resistance	
Specified Value	30MΩ min.
Test Methods and Remarks	Conduct measurement between Terminals 1 and 2. Applied voltage : 10VDC
10. Resistance to Flexure of Substrate	
Specified Value	No mechanical damage.
Test Methods and Remarks	<p>Warp : 2mm Testing board : glass epoxy-resin substrate Thickness : 0.8mm</p> 

▶ This catalog contains the typical specification only due to the limitation of space. When you consider the purchase of our products, please check our specification.
For details of each product (characteristics graph, reliability information, precautions for use, and so on), see our Web site (<http://www.ty-top.com/>).

Note on standard condition :

“standard condition” referred to herein is defined as follows :

5 to 35°C of temperature, 45 to 85% relative humidity and 86 to 106kPa of air pressure.

When there are questions concerning measurement results:

In order to provide correlation data, the test shall be conducted under condition of $20 \pm 2^\circ\text{C}$ of temperature, 60 to 70% relative humidity and 86 to 106kPa of air pressure.

Unless otherwise specified, all the tests are conducted under the “standard condition.”

※Circuit diagram

