

1500 series

Toggle switches - insulated lever and bushing

Distinctive features and specifications



- UL approved
- Variety of actuator styles and colours

ELECTRICAL SPECIFICATIONS

- Max. current/voltage rating with resistive load : 5A 12VDC (10.000 cycles)
- Initial contact resistance : 10 mΩ max.
- Insulation resistance : 1.000MΩ min. at 500VDC
- Dielectric strength :
2.000 Vrms 50 Hz min. between terminals and between terminals and metal panel

MATERIALS

- Case : polyamide
- Actuator : polyamide
- Bushing : polyamide
- Contacts : silver

GENERAL SPECIFICATIONS

- Torque : 0,95 Nm (.700 Ft.lb) max. applied to nut
- Panel thickness : 4,5 mm (.177) between 2 nuts
- Operating temperature : -20°C to +55°C

AGENCY APPROVALS



6A 125VAC/250VAC

Availability : all models

Marking : To order switches marked UL, complete appropriate box of ordering format.

ABOUT THIS SERIES

Dimensions : first dimensions are in mm while inches are shown as bracketed numbers.



Sealing boots are available to protect the switches against dust and water. They are presented in section H.



Mounting accessories : standard hardware supplied with all models : 1 hex nut U166 and 1 knurled nut U411. Standard and special hardware available are presented in section I.



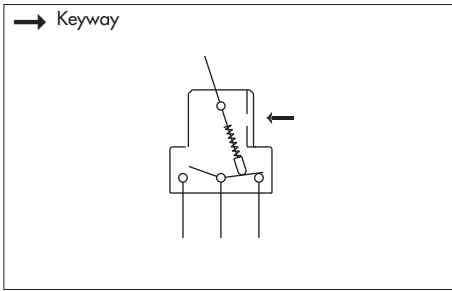
Packaging unit : 50 pieces per type and colour.



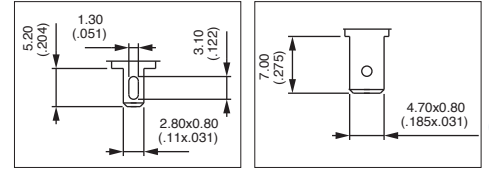
1500 series

Toggle switches - insulated lever and bushing

Solder lug or quick-connect terminals



- 2 and 3 maintained positions
- Silver contacts standard
- Single pole configurations



MODEL STRUCTURE



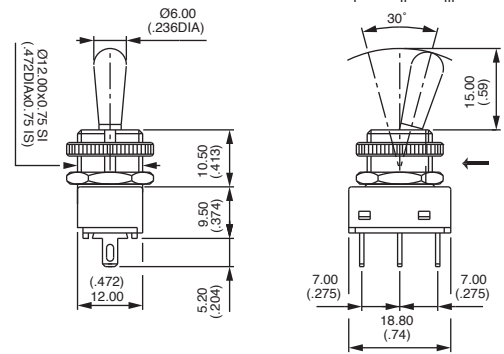
Solder lug terminals

→ Keyway



1531A2
1536A2
1539A2

	I	II	III
1531A2	ON	-	OFF
1536A2	ON	-	ON
1539A2	ON	OFF	ON



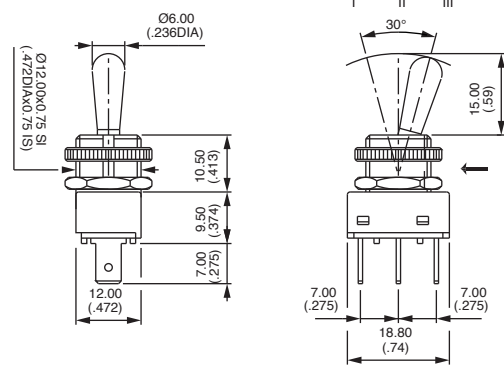
Quick-connect terminals 4,7 x 0,8 (.185 x .031)

→ Keyway

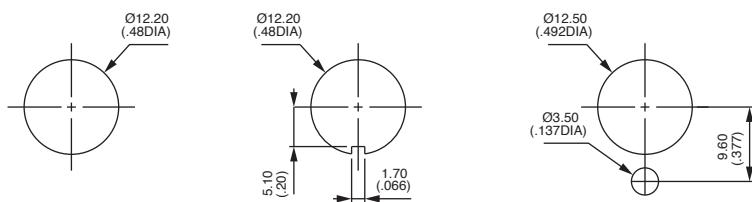


1531A8
1536A8
1539A8

	I	II	III
1531A8	ON	-	OFF
1536A8	ON	-	ON
1539A8	ON	OFF	ON



PANEL CUT-OUT

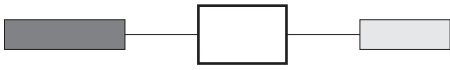


1500 series

Toggle switches - insulated lever and bushing

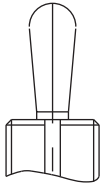
OPTIONS
● ● ●

ACTUATORS



Polyamide

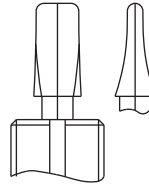
Black L12
Red L16
White L17
Orange L19



Standard

Polyamide

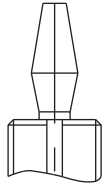
Black L22
Red L26
White L27
Orange L29



Flat

Polyamide

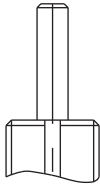
Black L32
Red L36
White L37
Orange L39



Dual cone

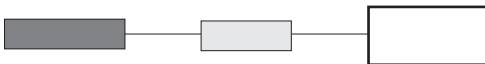
Polyamide

Black L42
Red L46
White L47
Orange L49



Cylindrical

AGENCY APPROVALS



UL

Availability : all models.

Marking : to order switches marked UL, complete above box with desired approvals.