

4700 and 4800 series

Momentary or alternate action pushbutton switches

Distinctive features and specifications



- Butt action contacts
- UL, CSA and VDE (EN 61058-1) approved

ELECTRICAL SPECIFICATIONS

- Max. current/voltage rating with resistive load :
 - silver contacts (A) : 3A 250VAC - 6A 125VAC
 - copper contacts (C) : 2A 250VAC - 4A 125VAC
- Initial contact resistance : 10 mΩ max.
- Insulation resistance : 1.000 MΩ min. at 500VDC
- Dielectric strength : 2.000 Vrms 50 Hz min. between terminals
3.000 Vrms 50 Hz min. between terminals and frame
- Electrical life : 10.000 cycles at full load

MATERIALS

- Case : melamine-phenolic
- Plunger : polyamide
- Bushing : polyamide
- Contacts : **A** : silver
C : copper, silver plated

GENERAL SPECIFICATIONS

- Torque : 0,95 Nm (.70 Ft.lb) max. applied to nut
- Panel thickness : 5 mm (.196) max. between 2 nuts
- Total travel : 4,5 mm (.177) +/- 0,5 (.019)
- Operating temperature : -20°C to +65°C
- Hand soldering : 270°C max. for 10 seconds max. - Iron Ø 3 mm (.118)

APPROVALS



Models 4731A, 4736A, 4741A, 4746A are UL, CSA and VDE (EN 61058-1) approved.

Models 4831A, 4836A, 4841A, 4846A are VDE (EN 61058-1) approved.

Marking : to order switches marked UL/CSA, complete appropriate box of ordering format. VDE is standard marked.

Dimensions : first dimensions are in mm while inches are shown as bracketed numbers.



Sealing boots are available to protect the switches against dust and water. They are presented in section H.



Mounting accessories : standard hardware supplied with all models : 1 hex nut U166 and 1 knurled nut U520 in the same colour as the plunger. They are presented in section I.

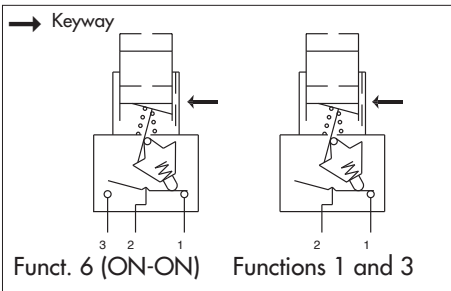
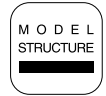


Packaging unit : single pole models : 40 pieces - Double pole models : 20 pieces.

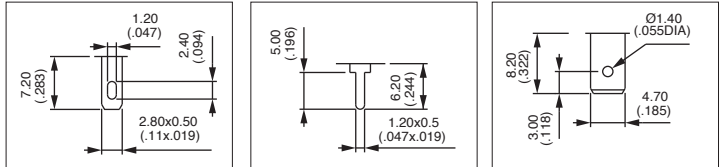
4700 and 4800 series

Momentary or alternate action pushbutton switches

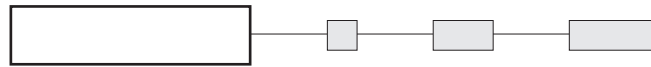
Solder lug/quick-connect or straight PC terminals



- 1 and 2 pole configurations
- Button returns in upper position after actuation.
- Panel cut-out : $\varnothing 12,2 (.480)$



MODEL STRUCTURE

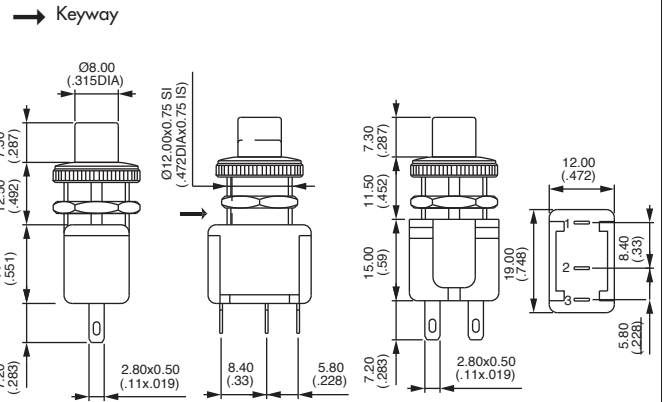


B2

Solder lug/quick-connect terminals



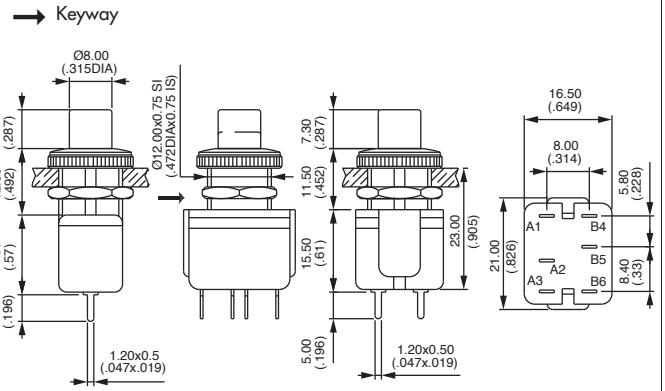
Single pole	Double pole	ON	OFF
4731	4741	ON	OFF
4736	4746	ON	ON
4733	4743	OFF	MOM



Straight PC terminals



Single pole	Double pole	ON	OFF
4831	4841	ON	OFF
4836	4846	ON	ON
4833	4843	OFF	MOM

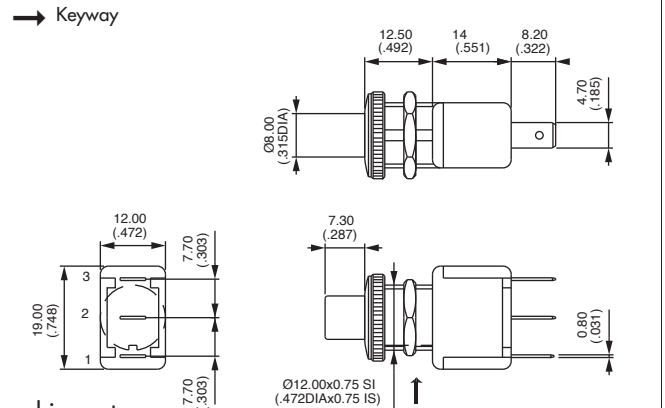


Quick-connect terminals 4,7 x 0,8 (.185 x .031)



4731/8	ON	OFF
4736/8	ON	ON
4733/8	OFF	MOM

Available with silver contacts only.
Minimum order : 1 000 pieces per type in one shipment.





4700 and 4800 series

Momentary or alternate action pushbutton switches

CONTACT MATERIALS



- A Silver
C Copper, silver plated (not available on models with quick-connect terminals /8)

ACTUATOR COLOURS



- 01 Blue
02 Black
03 Green
05 Yellow
06 Red
07/1 White
09 Orange

APPROVALS



UU (UL-CSA)

Availability : see specifications for details or approved models.

Marking : to order switches marked UL-CSA, complete above box with "UU".
VDE approval is standard marked.

B2