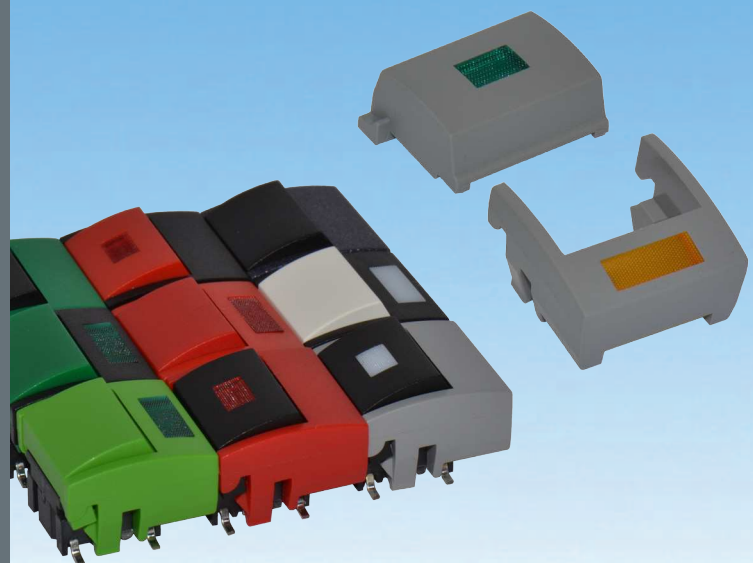




1B/1C cap and 2C/2D bezel series have a award-winning design. The cap is connected to the bezel with a hinge-type retention system and the bezel snaps on to the switch.

The series provides many design options with its solid and transparent colour range as well as different illumination option.

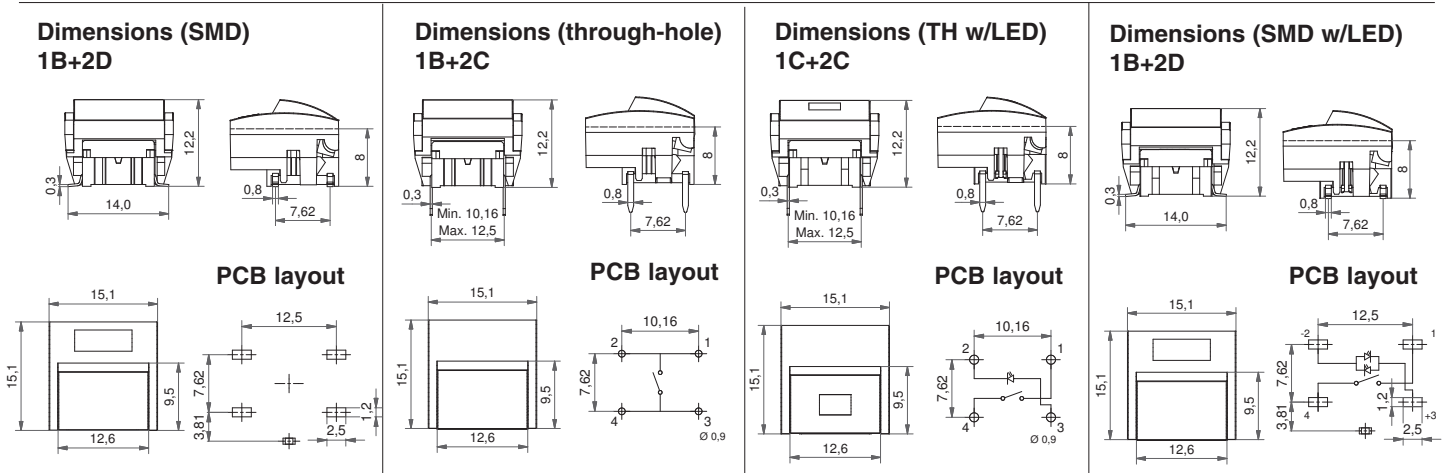
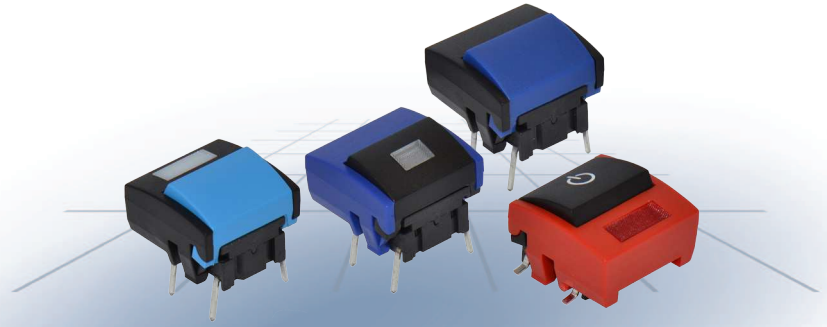
Illumination can be achieved by using 1B cap in transparent colour, 1C cap with a lens or 2D bezel with a lens where LED is placed on the PCB.



Distributor:

### Technical Data:

- through-hole or SMD
- 50mA/24VDC
- single pole/momentary
- 10.000.000 operations lifetime
- IP67 sealing
- temp. range: switch: -40/+160°C  
LED: -30/+85°C  
solid keycap: -40/+65°C  
transparent keycap: -40/+85°C
- actuation force: 2.0, 3.5, 6.5 N



### HOW TO ORDER illuminated

<b>5 G</b>	<input type="checkbox"/>	<input type="checkbox"/>	<input type="checkbox"/>	<input type="checkbox"/>	<input type="checkbox"/>	<input type="checkbox"/>	<input type="checkbox"/>	<input type="checkbox"/>	<input type="checkbox"/>	<input type="checkbox"/>
<b>Switch</b>	<b>Mounting</b>	<b>Actuation force</b>	<b>LED</b>	<b>Cap</b>	<b>Colour code</b>	<b>Lens</b>	<b>Bezel</b>	<b>Colour code</b>	<b>Bezel</b>	<b>Colour code</b>
TH9 through-hole	SH9 surface mount	20 35 65 Q*	01 blue 22 green 42 yellow 61 white 82 red 2242 green/yellow 8222 red/green 8242 red/yellow	solid colour						
				transparent						

### HOW TO ORDER non-illuminated

<b>5 G</b>	<input type="checkbox"/>	<input type="checkbox"/>	+	<b>1 B</b>	<input type="checkbox"/>	+	<b>2 C</b>	<input type="checkbox"/>	or	<b>2 D</b>	<input type="checkbox"/>	<input type="checkbox"/>
<b>Switch</b>	<b>Mounting</b>	<b>Actuation force</b>		<b>Cap</b>	<b>Colour code</b>		<b>Bezel</b>	<b>Colour code</b>		<b>Bezel</b>	<b>Colour code</b>	<b>Lens code</b>
TH9 through-hole	SH9 surface mount	20 35 65 Q*		solid colour								

\*Quiet version only available for actuation force 2.0N (20) and the letter Q is added to the end of the switch part number. See the order-

### COLOUR CODES

<b>Transparent caps</b>		<b>Solid caps</b>		<b>For 1B and 2C only:</b>		<b>Lenses</b>	
10 frosted blue	16 frosted white	00 blue	06 white	30 ultra blue	33 tele grey	50 metal dark blue	1 transparent
11 transparent	18 frosted red	02 green	08 red	40 dusty blue	34 melon	53 metal light grey	2 green
12 frosted green		03 grey	09 black	42 aqua blue	38 noble red	57 metal dark grey	4 yellow
14 frosted yellow		04 yellow		32 mint green		58 metal bordeaux	6 frosted white
							8 red

**Ordering example:** 5GTH93561+1C001+2C09 with illumination  
5GSH954+1B08+2D081 without illumination  
\*\*5GSH92001Q or 5GTH920Q (quiet version)

Dimensions (mm) Unless otherwise specified, all tolerances +/- 0,2

For updates of products and/or changes of specifications please see [www.mec.dk](http://www.mec.dk)

See colour codes on our website: [www.mec.dk](http://www.mec.dk)