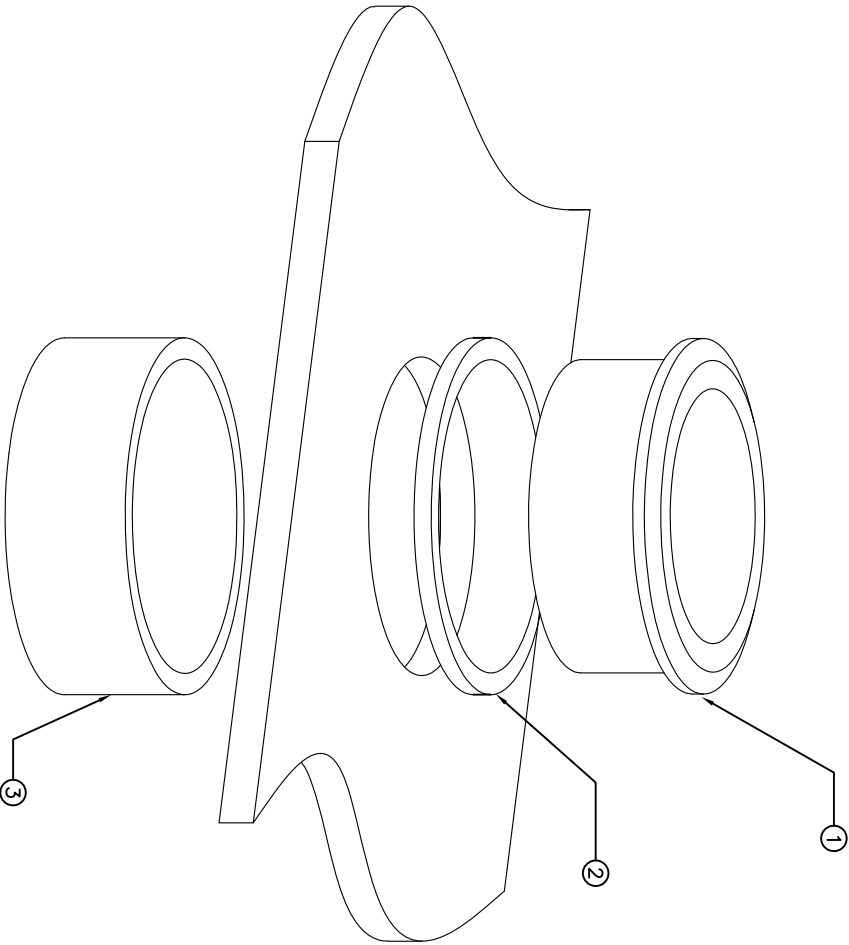


THIS DOCUMENT IS THE PROPERTY OF APEM COMPONENTS AND SHALL NOT BE COPIED, REPRODUCED, DISCLOSED OR USED AS THE BASIS FOR MANUFACTURING OR SALE WITHOUT PERMISSION OF A DULY AUTHORIZED REPRESENTATIVE OF APEM COMPONENTS INC.



HP**
 COLOR:
 00= CLEAR ANODIZED
 02= BLACK ANODIZED
 03= GREEN ANODIZED
 06= RED ANODIZED

DATE	SYM	REVISION RECORD	DWN.	CK.
3/09	B	ECO# 833	CD	PD

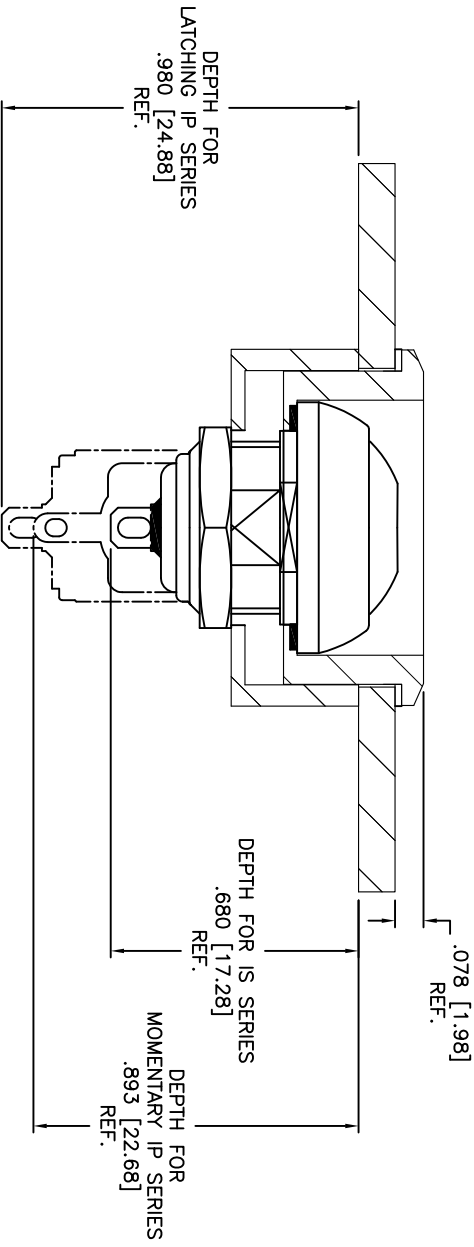
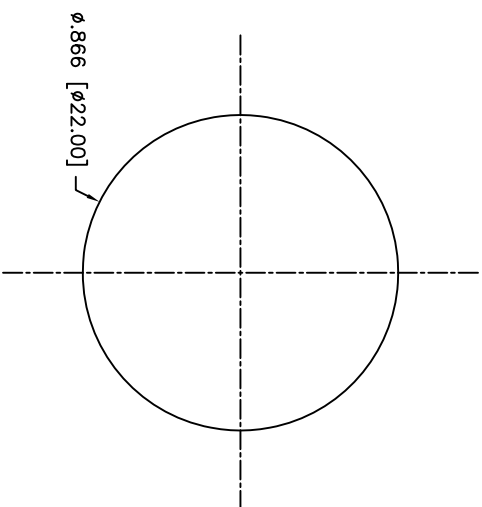
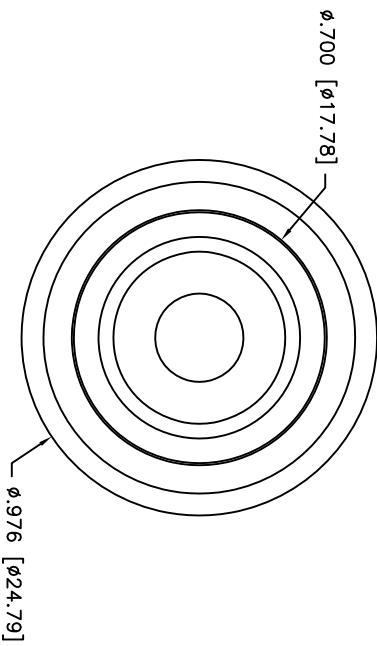
NUMBER	QTY.	DESCRIPTION	PART NUMBER
1	1	RECESSED SWITCH BEZEL	E0139P1
2	1	SEALING GASKET	26-0036
3	1	RECESSED SWITCH COLLAR	E0139P2

Q.A. INSPECT: Δ		APEM <small>APERM COMPONENTS</small>		P.N.: CJD B.R.: O.K.: PJD
DESIGNATES CRITICAL DIMENSION		63 Neck RD. 01835 Horizontal 372-3534 Fax: 372-3534	THIRD ANGLE PROJECTION	
TOLERANCES (except as noted) .XX=-.02[0.5] .XXX=-.008[0.20] .XXXX=-.0008[0.02]		INCH SHEET SIZE SCALE 1 OF 2 B 3:1	TITLE RECESSED PUSHBUTTON BEZEL	
ANGLE = 40.5°		DATE: 2/17/09	DRAWING NO. HP**	REV B

1 2 3 4 5 6 7 8

A B C D E

THIS DOCUMENT IS THE PROPERTY OF APEM COMPONENTS AND SHALL NOT BE COPIED, REPRODUCED, DISCLOSED OR USED AS THE BASIS FOR MANUFACTURING OR SALE WITHOUT PERMISSION OF A DULY AUTHORIZED REPRESENTATIVE OF APEM COMPONENTS INC.



NOTE:
MATERIAL: MACHINED ALUMINIUM

DATE	SYM	REVISION RECORD	DWN.	CK.

Q.A. INSPECT: Δ DESIGNATES CRITICAL DIMENSION				63 Neck Rd. 01835 Holyoke, MA Phone: 508-772-3554		DRN. CJD BR. OR. PJD	
DESIGNATOR: 01835 FORM: 372-3554		TOLERANCES (UNLESS OTHERWISE SPECIFIED) .XX = ±.02 [0.5] .XXX = ±.008 [0.20] .XXXX = ±.0008 [0.02] ANGLE = 30.5°		TITLE RECESSED PUSHBUTTON BEZEL		THIRD ANGLE PROJECTION 	
DATE: 2/17/09		SHEET: 2 OF 2		SIZE: B		SCALE: 3:1	
DO NOT SCALE DIMENSIONS		DRAWING NO.: HP**		REV: B			