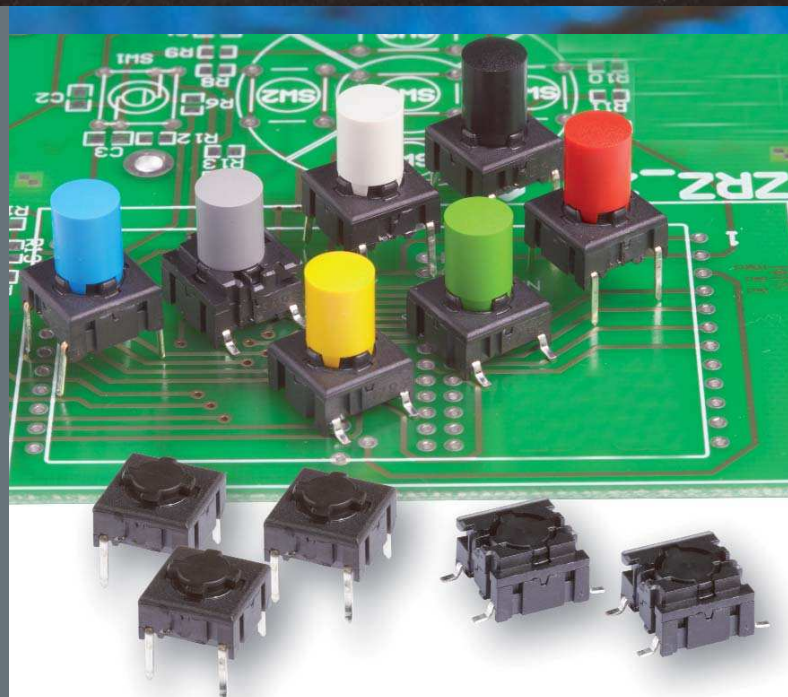




The new caps for the Multimec switches 1SS / 1LS / 1IS is optimized with a "snap on" system to ensure the cap to stay on the switch actuator even under heavy vibrations or similar scenarios.

- The 1SS cap is a solid cap which can be supplied in different colours
- The 1LS cap is a solid cap like 1SS, but with a small round lens for intensive or smooth illumination
- The 1IS cap is a transparent or milk white cap like 1SS, for intensive or smooth illumination



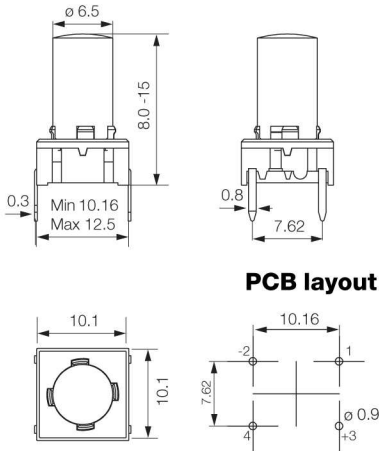
Distributor:

Technical Data

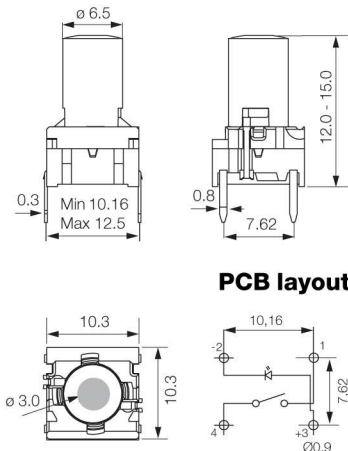
- through-hole or SMD
- 50mA/24VDC
- single pole/momentary
- 10.000.000 operations life time
- IP67 sealing
- temperature range:
LED: -40/+85°C
solid cap +65°C
transparent +85°C
- actuation force: 2.0, 3.5, 6.5 N



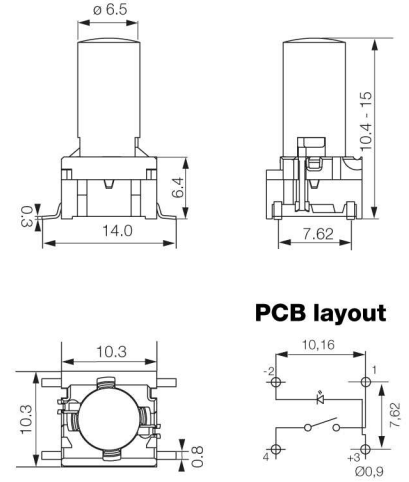
Dimensions (through-hole) 1SS





Dimensions (w. LED) 1LS




Dimensions (SMD) 1IS



HOW TO ORDER

Switch	Mounting	Actuation force	LED	Cap	Colour code	Lens	Height/1IS
5 G	TH9 through-hole	20	01 blue	1IS transparent	00 blue	1 transparent	10.4
	SH9 surface mount	35	22 green		03 grey	6 frosted white	11.0
		65	42 yellow	1LS with lens	08 red	2 green	12.0
			61 white		09 black	4 yellow	15.0
			82 red		11 transparent	8 red	Height/1LS
			2242 green/yellow		16 frosted white		12.0
			8222 red/green				15.0

Switch to be used: 5E or 5G

Switch	Mounting	Actuation force	Cap	Colour code	Height
5 E	TH9 through-hole	20	1SS solid colour	00 blue	08.0
5 G	SH9 surface mount	35		02 green	09.5
		65		03 grey	10.4
				04 yellow	11.0
				06 white	12.0
				08 red	15.0
				09 black	

Dimensions (mm) Unless otherwise specified, all tolerances $\pm 0,2$

Ordering example: 5GTH93501+1LS03115.0

See colour codes on our website: www.mec.dk