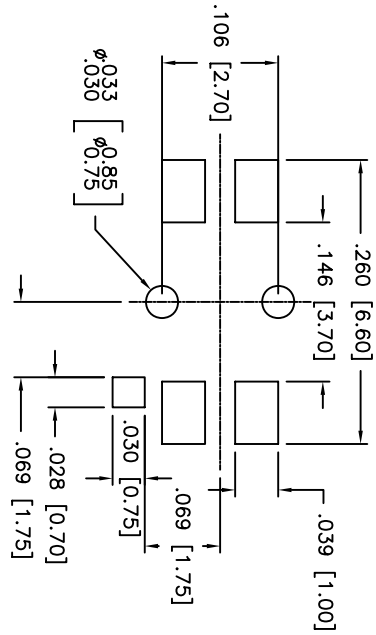
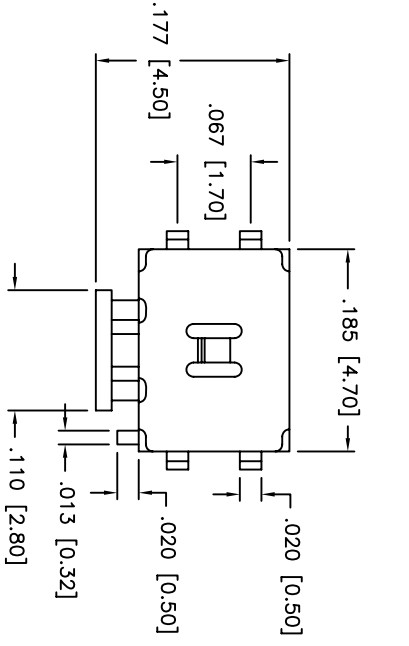
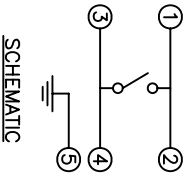
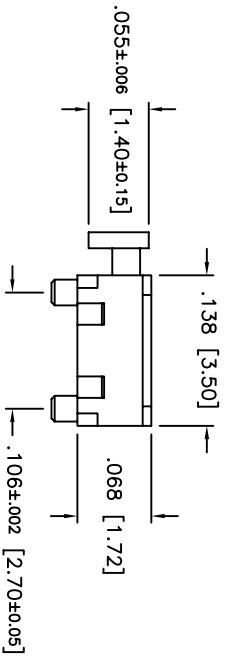
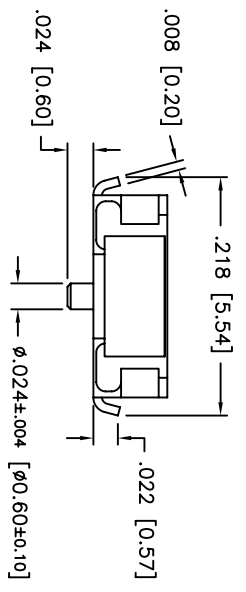


THIS DOCUMENT IS THE PROPERTY OF APM COMPONENTS AND SHALL NOT BE COPIED, REPRODUCED, DISCLOSED OR USED AS THE BASIS FOR MANUFACTURING OR SALE WITHOUT PERMISSION OF A DULY AUTHORIZED REPRESENTATIVE OF APM COMPONENTS INC.



P.C. LAYOUT
UNLESS OTHERWISE SPECIFIED
P.C. TOLERANCES ARE ±.002 [0.05]



SCHEMATIC

DATE	SYM	REVISION RECORD	DWN.	CK.
10/05	A	ECO# 483	CD	PD
2/07	B	ECO# 628	CD	PD

DESCRIPTION: SPST, MINIATURE SIDE PUSH SWITCH WITH P.C. LOCATING PINS AND SMT GULLWING TERMINALS.

SPECIFICATIONS:

CONTACT RATING: 50ma @ 12VDC
INSULATION RESISTANCE: 100 MOHMS MIN. (500VDC)
DIELECTRIC STRENGTH: 100VAC FOR 1 MINUTE
CONTACT RESISTANCE: 100 MOHMS MAX.
SHOCK RESISTANCE: 50G PER METHOD 213B.
MIL-STD-202F
VIBRATION RESISTANCE: PASSES METHOD 201A, MIL-STD-202F
ELECTRICAL LIFE:
100,000 CYCLES MIN.
OPERATING FORCE: 220gf ±9gf
TRAVEL: 0.30 ±.15mm
OPERATING TEMP. RANGE: -25°C TO +70°C
STORAGE TEMP. RANGE: -30°C TO +80°C
MATERIALS

COVER: STAINLESS STEEL.
CONTACT DISK: STAINLESS STEEL.
TERMINAL: BRASS WITH SILVER PLATING.
BASE: LCP HIGH-TEMP. THERMOPLASTIC.
COLOR: BLACK.
STEM: LCP HIGH-TEMP. THERMOPLASTIC.
COLOR: BLACK.

ROHS COMPLIANT
LEAD FREE PROCESS COMPATIBLE
HAND SOLDERING: 30 WATT IRON AT 350°C FOR 5 SECONDS
IR REFLOW: 255°C MAX

<p>Q.A. INSPECT: 63 Neck Rd. 01835 Haverhill, MA Tel: 978-372-5554 Fax: 978-372-5554</p>		<p>DRN. CJD BR. PJD</p>
<p>DESIGNATES CRITICAL DIMENSION</p>	<p>TOLERANCES (UNLESS OTHERWISE SPECIFIED) .XX±.XX [0.05] .XXX±.XXX [0.20] .XXXX±.XXXX [0.02] ANGLE = 40.5°</p>	<p>THIRD ANGLE PROJECTION</p>
<p>TITLE TINY SIDE PUSH SWITCH APTCLGTR</p>	<p>SHEET 1 OF 1 SIZE B SCALE 9:1</p>	<p>REV B</p>
<p>DATE 12/16/04</p>	<p>DRAWING NO. B7626</p>	

1 2 3 4 5 6 7 8

THIS DOCUMENT IS THE PROPERTY OF APDM COMPONENTS AND SHALL NOT BE COPIED, REPRODUCED, DISCLOSED OR SALE WITHOUT PERMISSION OF A DULY AUTHORIZED REPRESENTATIVE OF APDM COMPONENTS INC.

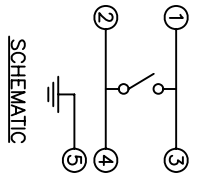
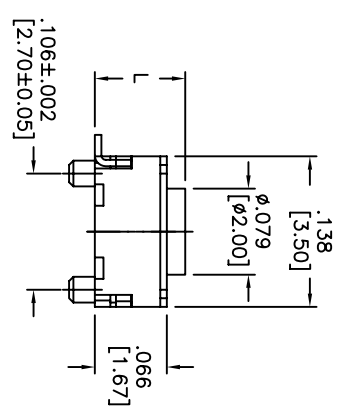
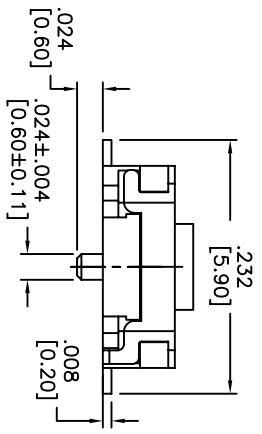
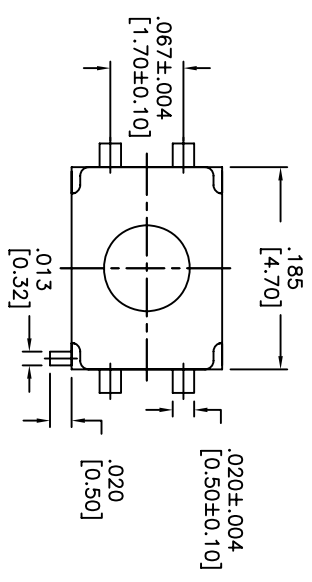
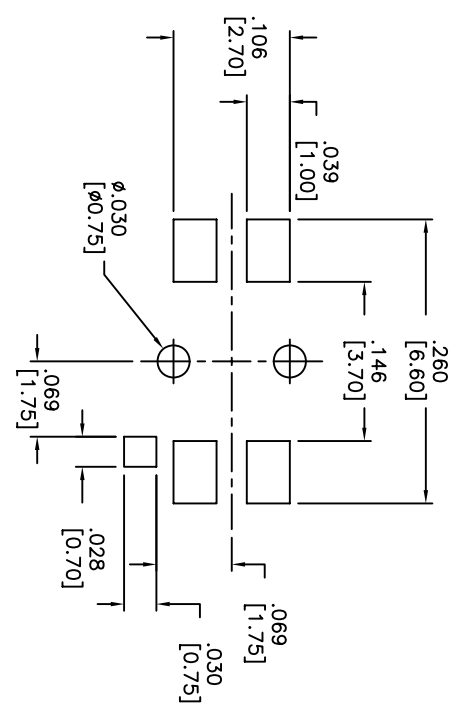
DATE	SYM	REVISION RECORD	DWN.	CK.

DESCRIPTION: SPST, MINIATURE VERTICAL PUSH SWITCH WITH P.C. LOCATING PINS AND SMT SPECIFICATIONS:

CONTACT RATING: 50mA @ 12VDC
 INSULATION RESISTANCE: 100 MOHMS MIN. (500VDC)
 DIELECTRIC STRENGTH: 250VAC FOR 1 MINUTE
 CONTACT RESISTANCE: 100 MOHMS MAX.
 SHOCK RESISTANCE: 50G PER METHOD 213B.
 MIL-STD-202F
 VIBRATION RESISTANCE: PASSES METHOD 201A.
 MIL-STD-202F
 ELECTRICAL LIFE:
 100,000 CYCLES MIN.
 OPERATING FORCE: 160±50gf
 TRAVEL: .008±.004
 OPERATING TEMP. RANGE: -25°C TO +70°C
 STORAGE TEMP. RANGE: -30°C TO +80°C
 MATERIALS

COVER: STAINLESS STEEL.
 CONTACT DISK: STAINLESS STEEL.
 TERMINAL: BRASS WITH SILVER PLATING.
 BASE: LCP HIGH-TEMP. THERMOPLASTIC,
 COLOR: BLACK.
 STEM: LCP HIGH-TEMP. THERMOPLASTIC,
 COLOR: BLACK.
 ROHS COMPLIANT
 LEAD FREE PROCESS COMPATIBLE
 HAND SOLDERING: 30 WATT IRON AT 350°C
 FOR 5 SECONDS
 IR REFLOW: 255°C MAX

P.C. LAYOUT
 UNLESS OTHERWISE SPECIFIED
 P.C. TOLERANCES ARE ±.004 [0.10]



PART NO.	QTY	PRICE	TOTAL
APTFCGP1V	.0827	2.100	
APTFCGP2V	.0984	2.50	

QTY	INSPECT	DESIGNER'S INITIAL	TOLERANCES	UNLESS OTHERWISE SPECIFIED	ANGLE	DATE	DRAWING NO.	REV

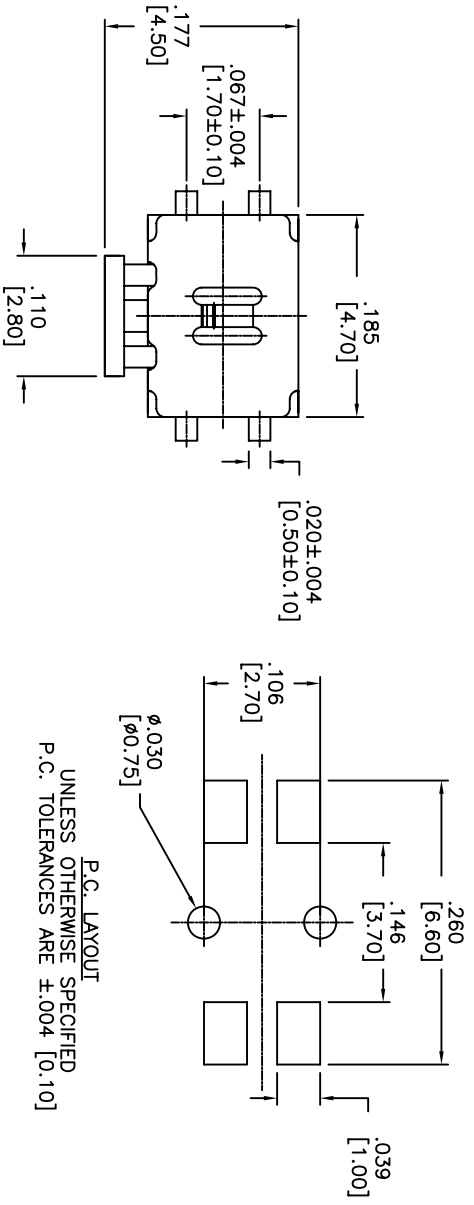
APDM	63 NACK RD.	PHN.	CJD

TITLE	SHEET	SIZE	SCALE	THIRD ANGLE PROJECTION
TINY VERTICAL PUSH SWITCH	1 OF 1	B	9:1	

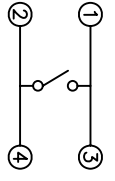
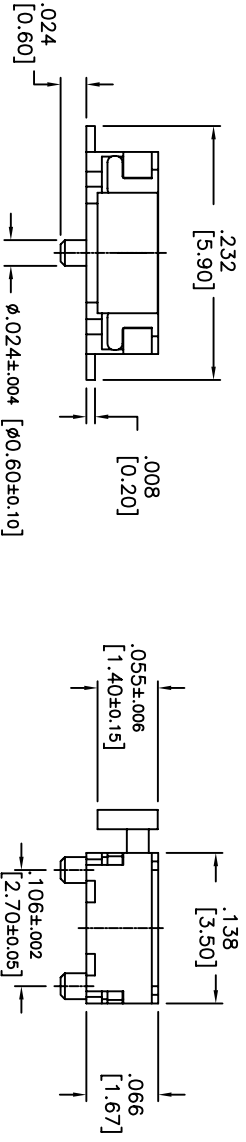
DO NOT SCALE	DATE	DRAWING NO.	REV
	7/7/05	APTFCGP*V	A

THIS DOCUMENT IS THE PROPERTY OF APDM COMPONENTS AND SHALL NOT BE COPIED, REPRODUCED, DISCLOSED OR SALE WITHOUT PERMISSION OF A DULY AUTHORIZED REPRESENTATIVE OF APDM COMPONENTS INC.

DATE	SYM	REVISION RECORD	DWN.	CK.



P.C. LAYOUT
UNLESS OTHERWISE SPECIFIED
P.C. TOLERANCES ARE ±.004 [0.10]



SCHEMATIC

DESCRIPTION: SPST, MINIATURE SIDE PUSH SWITCH WITH P.C. LOCATING PINS AND SMT SPECIFICATIONS:
 CONTACT RATING: 50mA @ 12VDC
 INSULATION RESISTANCE: 100 MOHMS MIN. (500VDC)
 DIELECTRIC STRENGTH: 250VAC FOR 1 MINUTE
 CONTACT RESISTANCE: 100 MOHMS MAX.
 SHOCK RESISTANCE: 50G PER METHOD 213B.
 MIL-STD-202F
 VIBRATION RESISTANCE: PASSES METHOD 201A.
 MIL-STD-202F
 ELECTRICAL LIFE:
 100,000 CYCLES MIN.
 OPERATING FORCE: 220^{+90g}
 TRAVEL: .012^{+0.06}
 OPERATING TEMP. RANGE: -25°C TO +70°C
 STORAGE TEMP. RANGE: -30°C TO +80°C
 MATERIALS
 COVER: STAINLESS STEEL
 CONTACT DISK: STAINLESS STEEL.
 TERMINAL: BRASS WITH SILVER PLATING.
 BASE: LCP HIGH-TEMP. THERMOPLASTIC.
 COLOR: BLACK.
 STEM: LCP HIGH-TEMP. THERMOPLASTIC,
 COLOR: BLACK.
 TAPE: TEFLON
 TAPE & REEL PACKAGING: 3,000 PCS. PER REEL
 ROHS COMPLIANT
 LEAD FREE PROCESS COMPATIBLE
 HAND SOLDERING: 30 WATT IRON AT 350°C
 FOR 5 SECONDS
 IR REFLOW: 255°C MAX

Q.A. INSPECT:	DESIGNER'S INITIAL:	APDM	63 Neck Rd. Haverhill, MA 01830 Phone: 978-372-5554 Fax: 978-372-5554	DRN. CJD	
TOLERANCES (UNLESS OTHERWISE SPECIFIED) .XX±.XX(0.05) .XXX±.XXX(0.20) .XXXX±.XXXX(0.002) ANGLE = 30.5°	INCH	SHEET 1 OF 1	SIZE B	SCALE 9:1	THIRD ANGLE PROJECTION
TITLE TINY SIDE PUSH SWITCH		DRAWING NO. APTCFV		REV A	
DATE 7/7/05	DO NOT SCALE DRAWING				

1 2 3 4 5 6 7 8