

# S and SR series

## Washable rocker and paddle switches

*Distinctive features and specifications*



- Sealed**
  - Secure assembly of the two case parts
  - Internally sealed bushing
  - Epoxy sealed terminals
- Process compatible (S series)**
  - Wave solderable
  - Washable
- Optional ESD protection**

### ELECTRICAL SPECIFICATIONS

- Max. current/voltage rating with resistive load :
  - silver contacts (A or 1) : 4A 30VDC
  - brass, gold plated contacts (CD or 0) : 0,4VA 20VAC or DC
  - silver, gold plated contacts (AD or 2) : 4A 30VDC (300mA 30VDC for gold plating)
- Initial contact resistance : 10 mΩ max.
- Insulation resistance : 1.000 MΩ min.
- Dielectric strength : 1.000 Vrms 50 Hz min.
- Electrical life with nominal load :

Contacts	Number of cycles	
	2 positions	3 positions
A or 1	40.000	40.000
CD or 0	100.000	50.000
AD or 2	40.000	40.000

### MATERIALS

- Case and cover : UL94-V0, polyamide, glass filled or PES
- Actuator : polyamide
- Contacts
  - CD or 0** : brass, gold plated
  - A or 1** : silver
  - AD or 2** : silver, gold plated
- Terminal seal : epoxy

### GENERAL SPECIFICATIONS

- Mechanical strength :  
Terminals are strengthened by a bracket or a ground plate ensuring the rigidity of the switch on the board. Actuator strength is 10N max.
- Operating temperature : -20°C to +85°C
- Storage temperature : -40°C to +85°C
- Moisture :  
The insulating materials employed and the complete seal permit the switches to withstand a 56 days moisture test (IEC 68-2-3).
- Soldering - thermal shock (S series only) :  
The switches are especially designed for flow soldering at 260°C during 5 seconds owing to high temperature polymer parts.
- Iron soldering (SR series) : 300°C 5 sec. max.
- Solderability : The switches are tested at 235°C according to IEC 68-2-20 after accelerated aging.

### AGENCY APPROVALS

 2A 250VAC  
4A 125VAC

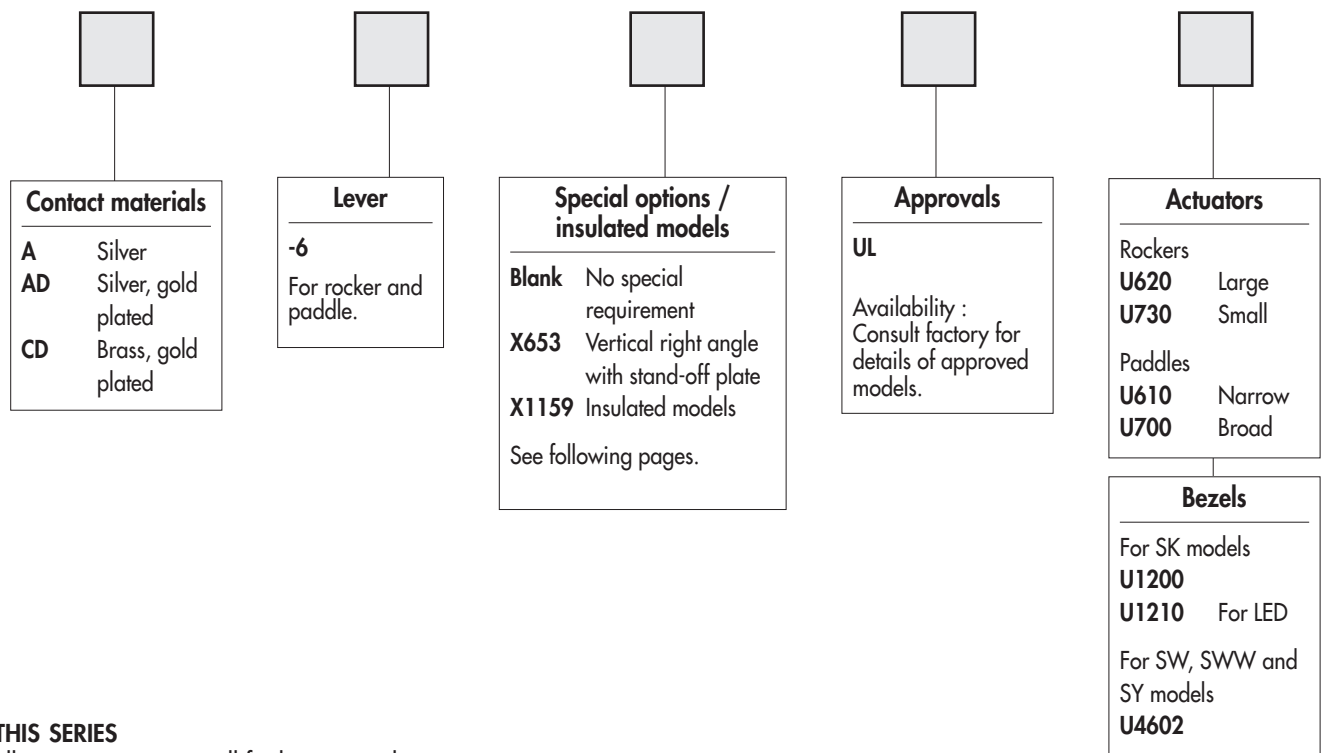
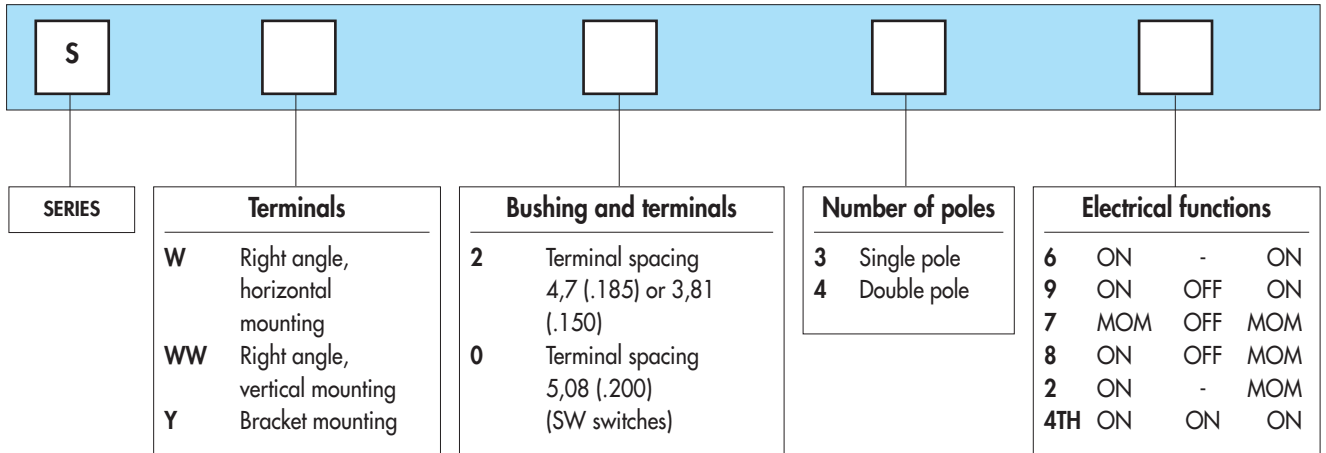
**Availability** : consult factory for details of approved models.

**Marking** : to order switches marked UL, complete appropriate box of ordering format.

# S series

## Washable rocker and paddle switches

### Overview



#### ABOUT THIS SERIES

On the following pages, you will find successively :

- model structure of switches
- options in the same order as above

Specifications are on previous page.

**Dimensions** : first dimensions are in mm while inches are shown as bracketed numbers.



**NOTICE** : please note that not all combinations of above numbers are available. Refer to the following pages for further information.



**Packaging unit** : 25 pieces to 50 pieces depending on models.

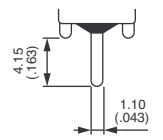
# S series

## Washable rocker and paddle switches

MODEL  
STRUCTURE



- Straight PC or right angle terminals
- Models with snap-in mounting (SK)
- Terminal spacing 4,7 (.185) or 5,08 (.200) on SW switches
- 1 and 2 pole configurations



MODEL  
STRUCTURE



Shown with rocker U620

### Right angle terminals - horizontal - spacing 4,7 (.185)



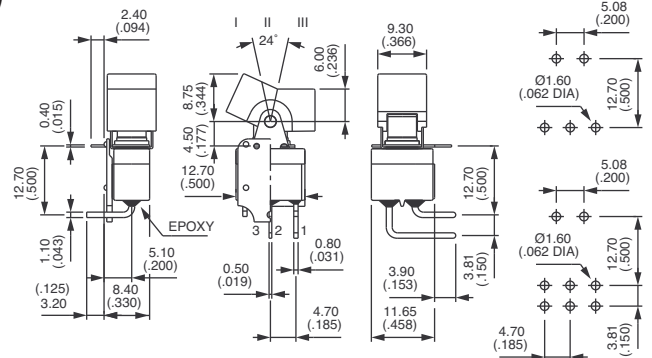
Single pole

Double pole

SW236-6  
SW239-6  
SW237-6  
SW238-6  
SW232-6

SW246-6  
SW249-6  
SW247-6  
SW248-6  
SW242-6  
SW244TH-6\*

	III	II	I
ON	-	ON	
ON	OFF	ON	
MOM	OFF	MOM	
ON	OFF	MOM	
ON	-	MOM	
ON	ON	ON	



Single pole with stand-off plate, double pole without.

### Right angle terminals - vertical



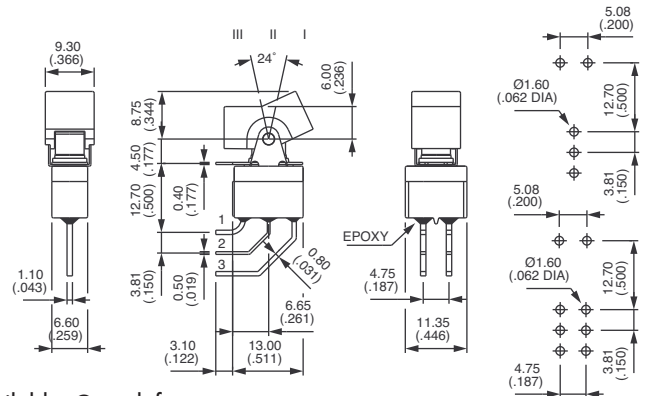
Single pole

Double pole

SWW236-6  
SWW239-6  
SWW237-6  
SWW238-6  
SWW232-6

SWW246-6  
SWW249-6  
SWW247-6  
SWW248-6\*\*  
SWW242-6\*\*  
SWW244TH-6\*

	III	II	I
ON	-	ON	
ON	OFF	ON	
MOM	OFF	MOM	
ON	OFF	MOM	
ON	-	MOM	
ON	ON	ON	



\*\* Functions 2 and 8 : reversed connection available. Consult factory.

### Bracket mounting



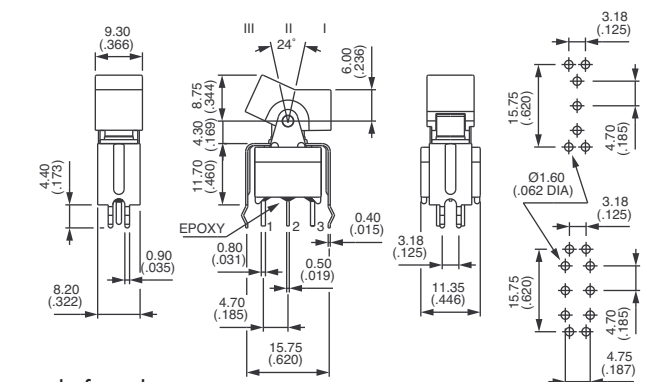
Single pole

Double pole

SY236-6  
SY239-6  
SY237-6  
SY238-6  
SY232-6

SY246-6  
SY249-6  
SY247-6  
SY248-6  
SY242-6  
SY244TH-6\*

	III	II	I
ON	-	ON	
ON	OFF	ON	
MOM	OFF	MOM	
ON	OFF	MOM	
ON	-	MOM	
ON	ON	ON	



\* Function 4 : SP in DP case - TH connection, see end of catalogue.

# S series

## Washable rocker and paddle switches

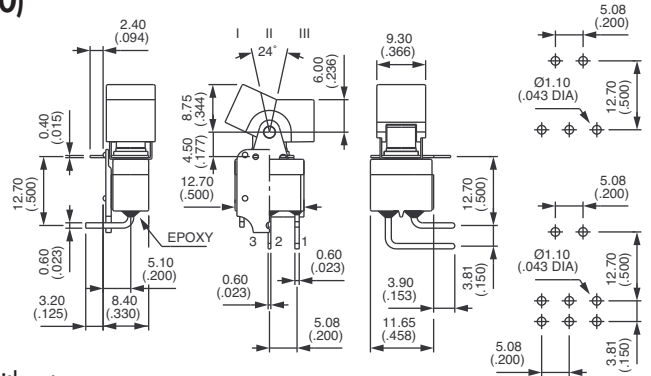
MODEL  
STRUCTURE

### Right angle terminals - horizontal - spacing 5,08 (.200)



Single pole    Double pole

	III	II	I
SW036-6	ON	-	ON
SW039-6	ON	OFF	ON
SW037-6	MOM	OFF	MOM
SW038-6	ON	OFF	MOM
SW032-6	ON	-	MOM
SW044TH-6*	ON	ON	ON



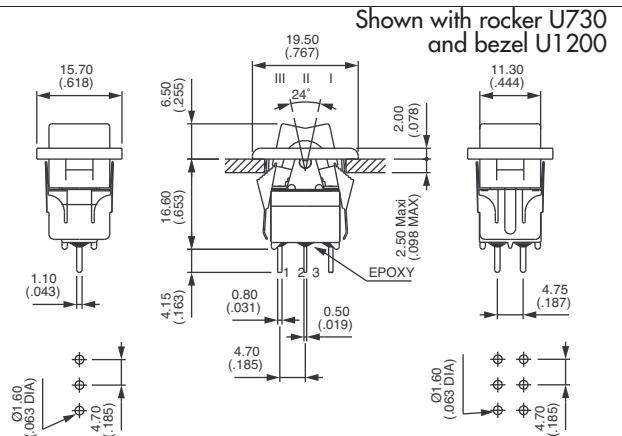
Single pole with stand-off plate, double pole without.

### Straight PC terminals - snap-in mounting



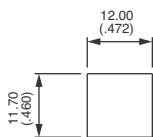
Single pole    Double pole

	III	II	I
SK236-6	ON	-	ON
SK239-6	ON	OFF	ON
SK237-6	MOM	OFF	MOM
SK238-6	ON	OFF	MOM
SK232-6	ON	-	MOM
SK244TH-6*	ON	ON	ON



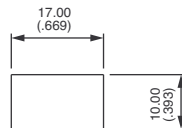
\* Function 4 : SP in DP case - TH connection, see end of catalogue.

### PANEL CUT-OUT



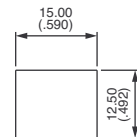
With rocker **U730**  
or paddle **U700**

17.00



With rocker **U620**  
or paddle **U610**

For SK only

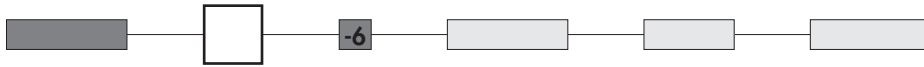




# S series

## Washable rocker and paddle switches

### CONTACT MATERIALS



- A Silver
- AD Silver, gold plated
- CD Brass, gold plated

### SPECIAL OPTIONS / INSULATED MODELS

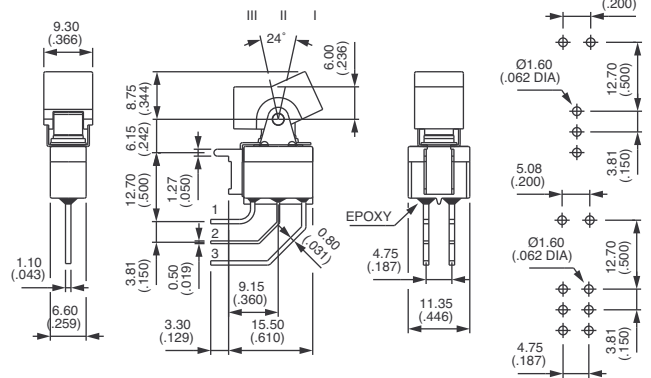


### X653 Vertical right angle with stand-off plate

Shown with rocker U620



	III	II	I
Single pole			
SWW236-6 X653	ON	-	ON
SWW239-6 X653	ON	OFF	ON
SWW237-6 X653	MOM	OFF	MOM
SWW238-6 X653	ON	OFF	MOM
SWW232-6 X653	ON	-	MOM
Double pole			
SWW246-6 X653	ON	-	ON
SWW249-6 X653	ON	OFF	ON
SWW247-6 X653	MOM	OFF	MOM
SWW248-6 X653**	ON	OFF	MOM
SWW242-6 X653**	ON	-	MOM
SWW244TH-6 X653*	ON	ON	ON



\* Function 4 : SP in DP case - TH connection, see end of catalogue.  
 \*\* Functions 2 and 8 : reversed connection available. Consult factory.

### X601 Silver plated brass contacts

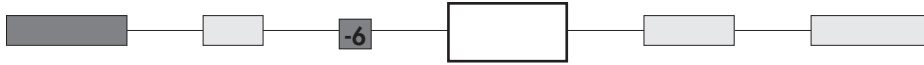
Current/voltage rating for an electrical life of 20.000 cycles : 0,5A 30VDC  
 Minimum quantity : 5.000 per type and shipment.

# S series


## Washable rocker and paddle switches



### SPECIAL OPTIONS / INSULATED MODELS (continued)

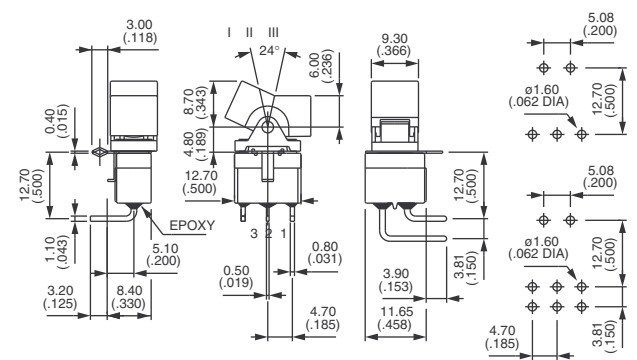


#### X1159 Insulated model protected against E.S.D. up to 12 KV - Horizontal right angle




	III	II	I
Single pole			
SW236-6 X1159	ON	-	ON
SW239-6 X1159	ON	OFF	ON
SW237-6 X1159	MOM	OFF	MOM
SW238-6 X1159	ON	OFF	MOM
SW232-6 X1159	ON	-	MOM
Double pole			
SW246-6 X1159	ON	-	ON
SW249-6 X1159	ON	OFF	ON
SW247-6 X1159	MOM	OFF	MOM
SW248-6 X1159	ON	OFF	MOM
SW242-6 X1159	ON	-	MOM
SW244TH-6 X1159*	ON	ON	ON

Shown with rocker U620

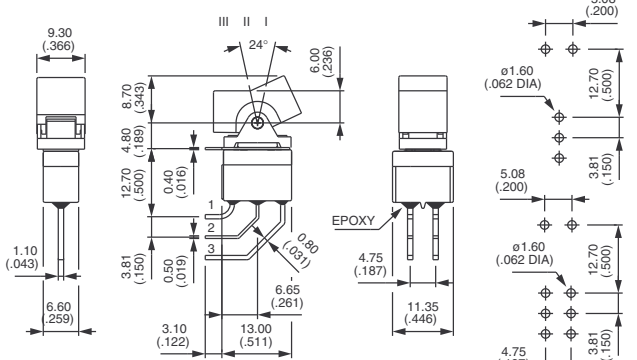


#### X1159 Insulated model protected against E.S.D. up to 12 KV - Vertical right angle




	III	II	I
Single pole			
SWW236-6 X1159	ON	-	ON
SWW239-6 X1159	ON	OFF	ON
SWW237-6 X1159	MOM	OFF	MOM
SWW238-6 X1159	ON	OFF	MOM
SWW232-6 X1159	ON	-	MOM
Double pole			
SWW246-6 X1159	ON	-	ON
SWW249-6 X1159	ON	OFF	ON
SWW247-6 X1159	MOM	OFF	MOM
SWW248-6 X1159**	ON	OFF	MOM
SWW242-6 X1159**	ON	-	MOM
SWW244TH-6 X1159*	ON	ON	ON

Shown with rocker U620

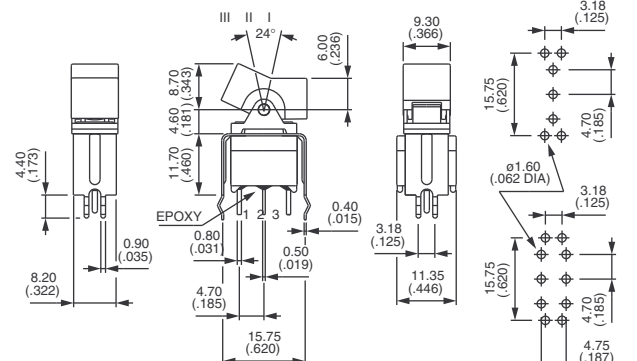


#### X1159 Insulated model protected against E.S.D. up to 12 KV - Straight PC terminals - bracket mounting



	III	II	I
Single pole			
SY236-6 X1159	ON	-	ON
SY239-6 X1159	ON	OFF	ON
SY237-6 X1159	MOM	OFF	MOM
SY238-6 X1159	ON	OFF	MOM
SY232-6 X1159	ON	-	MOM
Double pole			
SY246-6 X1159	ON	-	ON
SY249-6 X1159	ON	OFF	ON
SY247-6 X1159	MOM	OFF	MOM
SY248-6 X1159**	ON	OFF	MOM
SY242-6 X1159**	ON	-	MOM
SY244TH-6 X1159*	ON	ON	ON

Shown with rocker U620



\* Function 4 : SP in DP case - TH connection, see end of catalogue. \*\* Functions 2 and 8 : reversed connection available. Consult factory.

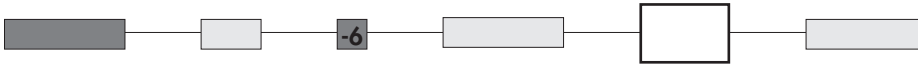
Above models available with all actuators shown on next page.



# S series

## Washable rocker and paddle switches

### AGENCY APPROVAL

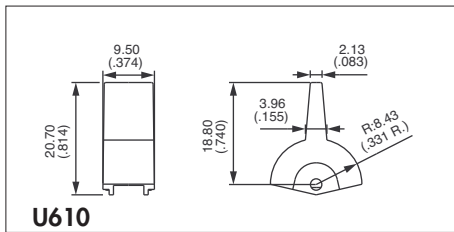
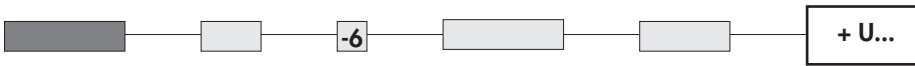


### UL

**Availability** : consult factory for details of approved models.

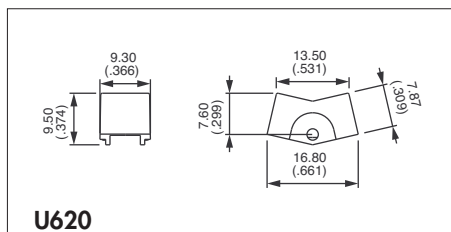
**Marking** : to order switches marked with the UL symbol, complete above box with "UL".  
Blank : no agency approval required.

### ACTUATORS



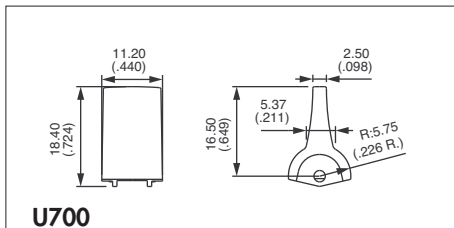
**U610**

Narrow paddle



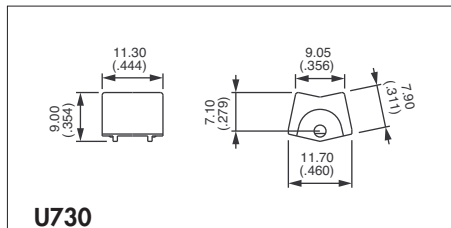
**U620**

Large rocker



**U700**

Broad paddle



**U730**

Small rocker

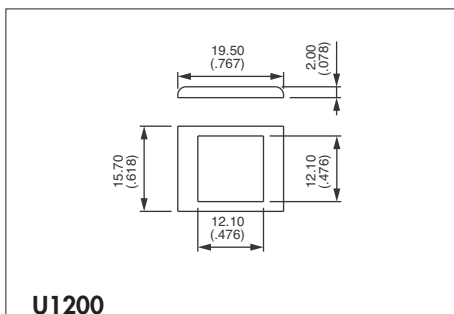
Actuator colours	
Replace last "0" by number	
1	blue
1/4	dark blue
2	black
3	green
4	grey
5	yellow
6	red
7	ivory
7/1	white
9	orange



U610 and U620 not available on SK models

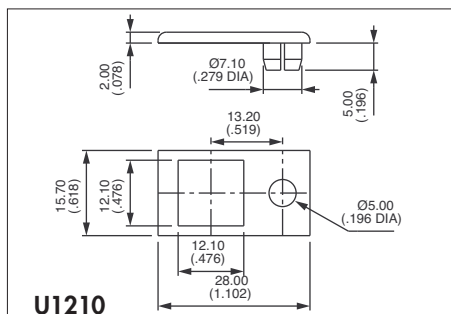
### Bezels for SK model (snap-in)

Add bezel part number to actuator part number.



**U1200**

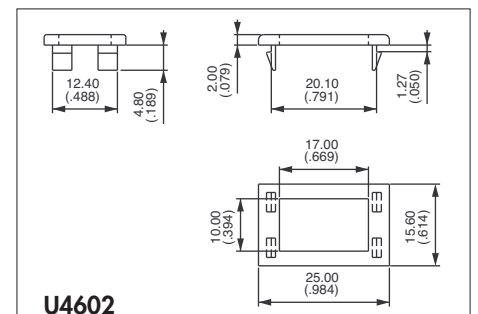
Bezel



**U1210**

Bezel for LED Ø 5 (.196) - not supplied

### Bezel for SW - SWW and SY models



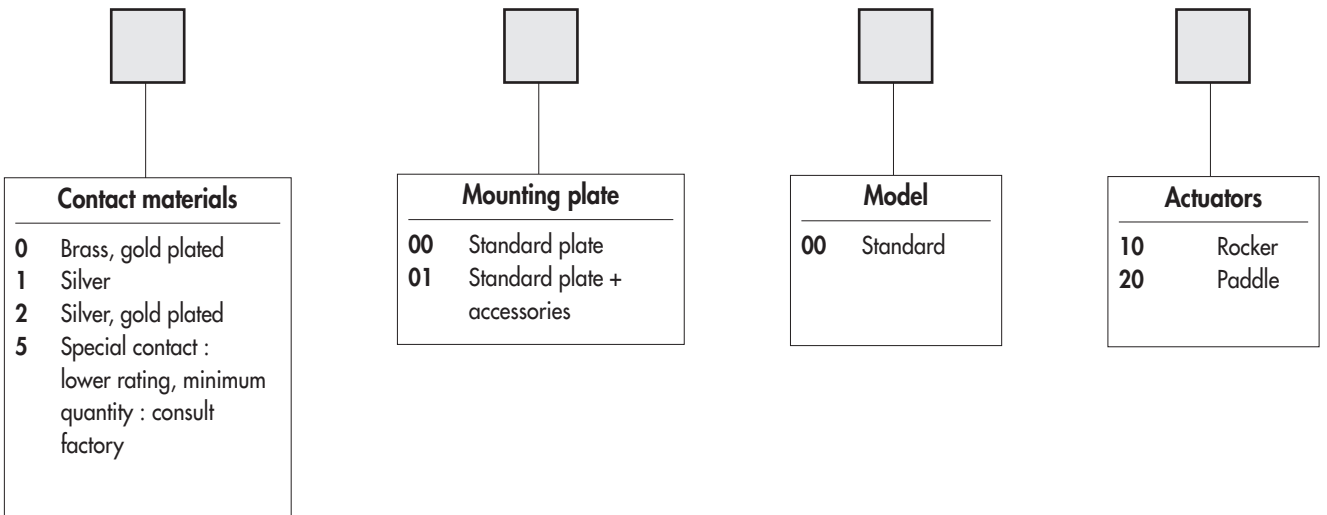
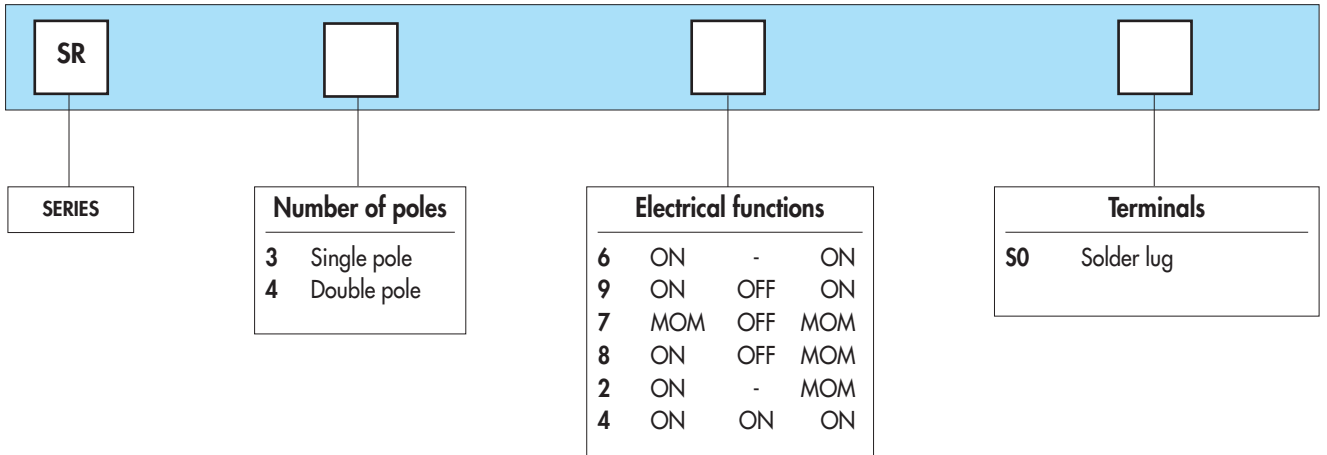
**U4602**

Black bezel - for rocker U620 only

# SR series

## Washable rocker and paddle switches

### Overview



#### ABOUT THIS SERIES

On the following pages, you will find successively :

- model structure of switches
- options in the same order as above

Specifications are at the beginning of this section (S and SR series).

**Dimensions** : first dimensions are in mm while inches are shown as bracketed numbers.



**Packaging unit** : 20 pieces.

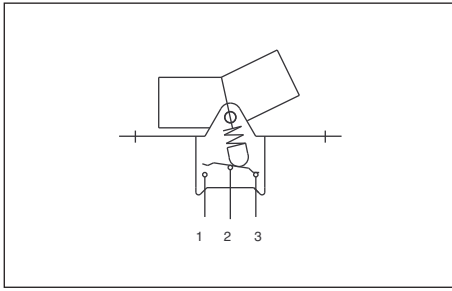




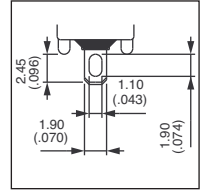
# SR series

## Washable rocker and paddle switches

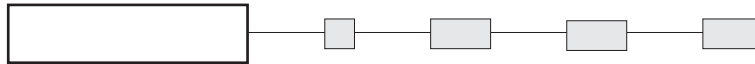
Solder lug terminals



- 1 and 2 pole configurations
- Iron soldering 300°C max. 5 seconds max.



MODEL  
STRUCTURE



Shown with standard mounting plate (code 00)

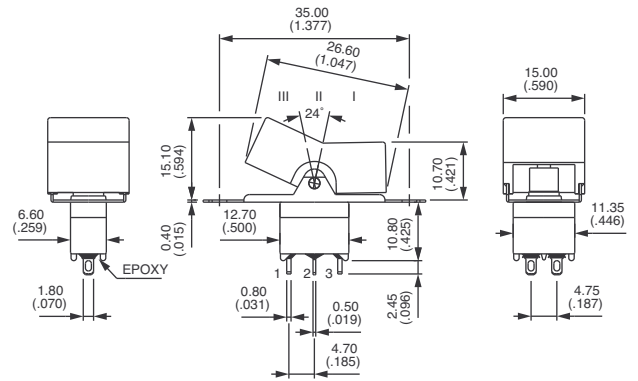
### Solder lug terminals



Single pole Double pole

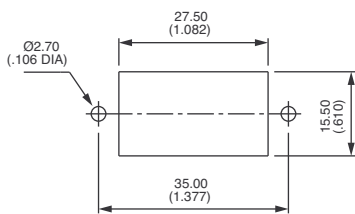
SR36S0	SR46S0
SR39S0	SR49S0
SR37S0	SR47S0
SR38S0	SR48S0
SR32S0	SR42S0
	SR44S0*

III	II	I
ON	-	ON
ON	OFF	ON
MOM	OFF	MOM
ON	OFF	MOM
ON	-	MOM
ON	ON	ON



\* Function 4 : SP in DP case - TH connection, see end of catalogue.

### PANEL CUT-OUT



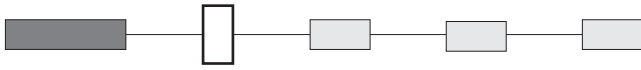
# SR series

## Washable rocker and paddle switches

OPTIONS

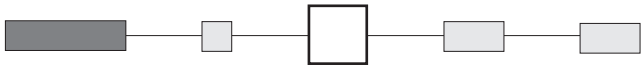


### CONTACT MATERIALS

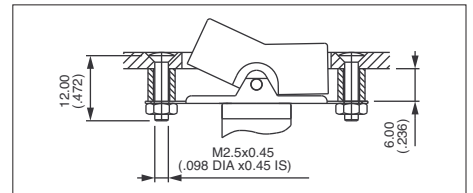


- 0 Brass, gold plated
- 1 Silver
- 2 Silver, gold plated
- 5 Special contact, lower rating, minimum quantity : consult factory.

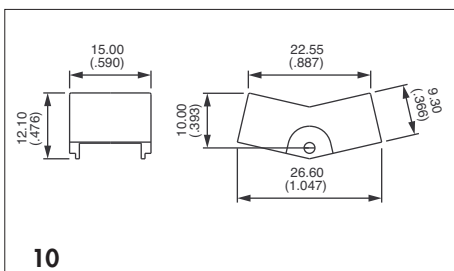
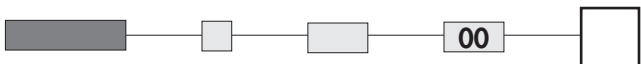
### MOUNTING PLATE



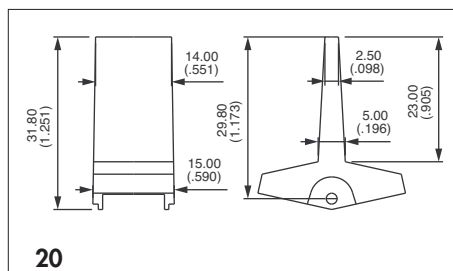
- 00 Standard mounting plate
- 01 Standard mounting plate + mounting accessories (spacers, screws and nuts)



### ACTUATORS



10  
Rocker



20  
Paddle

#### Actuator colours

Replace "0" by number

- 1 blue
- 1/4 dark blue
- 2 black
- 3 green
- 4 grey
- 5 yellow
- 6 red
- 7 ivory
- 7/1 white
- 9 orange