
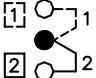
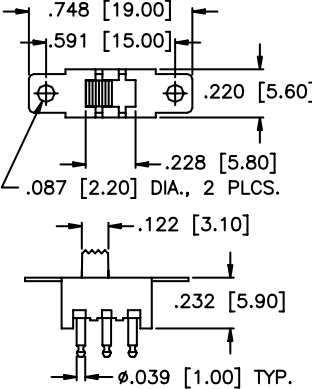
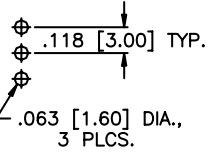

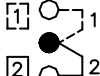
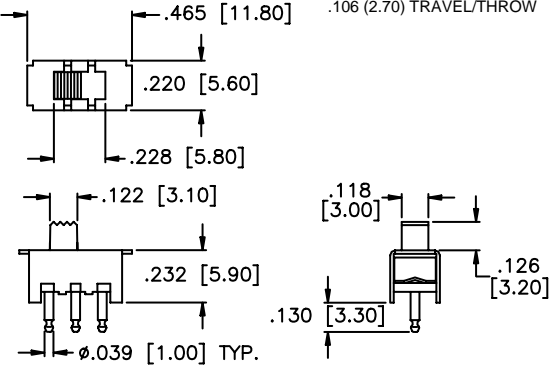
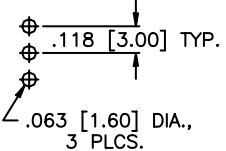

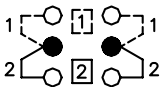
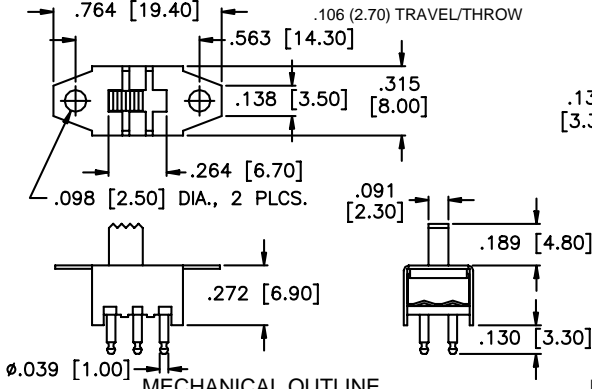
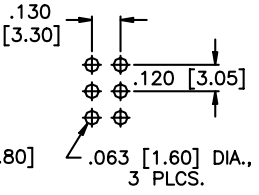


SLA Series


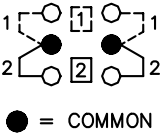
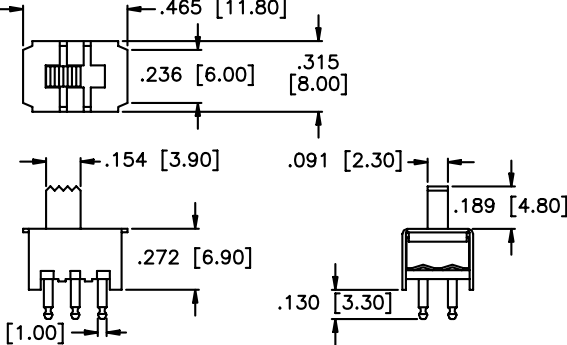
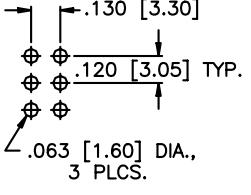
Miniature Slide Switches

SPECIFICATIONS	FEATURES
<p>Contact ratings: 500 mA at 125 VAC</p> <p>Initial contact resistance: 20 milliohms max.</p> <p>Insulation resistance: 100 megohms min. at 500 VDC</p> <p>Dielectric strength: 500 volts RMS for 1 minute</p> <p>Electrical life: 10,000 cycles min.</p> <p>Operating temperature range: -20°C to +85°C</p> <p>Actuation force: 350g ± 200g</p> <p>Solder heat resistance: 260°C max. for 3 seconds</p> <p>Solvent washing permissible</p>	<ul style="list-style-type: none"> ● Miniature compact size. ● Wash-through open frame construction. ● Panel and p.c. mounting models.
	MATERIALS
	<p>Contacts & terminals: Silver plated brass</p> <p>Frame: Zinc plated steel</p> <p>Actuator: PBT Thermoplastic</p> <p>Base: Phenolic laminated sheet</p>

MODEL NO.			
SLA1200			
	<p>1P2T</p>  <p>● = COMMON</p>	 <p style="text-align: right;">.106 (2.70) TRAVEL/THROW</p>	
SCHEMATIC	MECHANICAL OUTLINE	P.C. BOARD LAYOUT	
MODEL NO.			
SLA1201			
	<p>1P2T</p>  <p>● = COMMON</p>	 <p style="text-align: right;">.106 (2.70) TRAVEL/THROW</p>	
SCHEMATIC	MECHANICAL OUTLINE	P.C. BOARD LAYOUT	
MODEL NO.			
SLA2200			
	<p>2P2T</p>  <p>● = COMMON</p>	 <p style="text-align: right;">.106 (2.70) TRAVEL/THROW</p>	
SCHEMATIC	MECHANICAL OUTLINE	P.C. BOARD LAYOUT	

SPECIFICATIONS SUBJECT TO CHANGE WITHOUT NOTICE

SPECIFICATIONS SUBJECT TO CHANGE WITHOUT NOTICE

MODEL NO.	2P2T		
SLA2201			
	 <p>● = COMMON</p>		
	SCHEMATIC	MECHANICAL OUTLINE	P.C. BOARD LAYOUT

