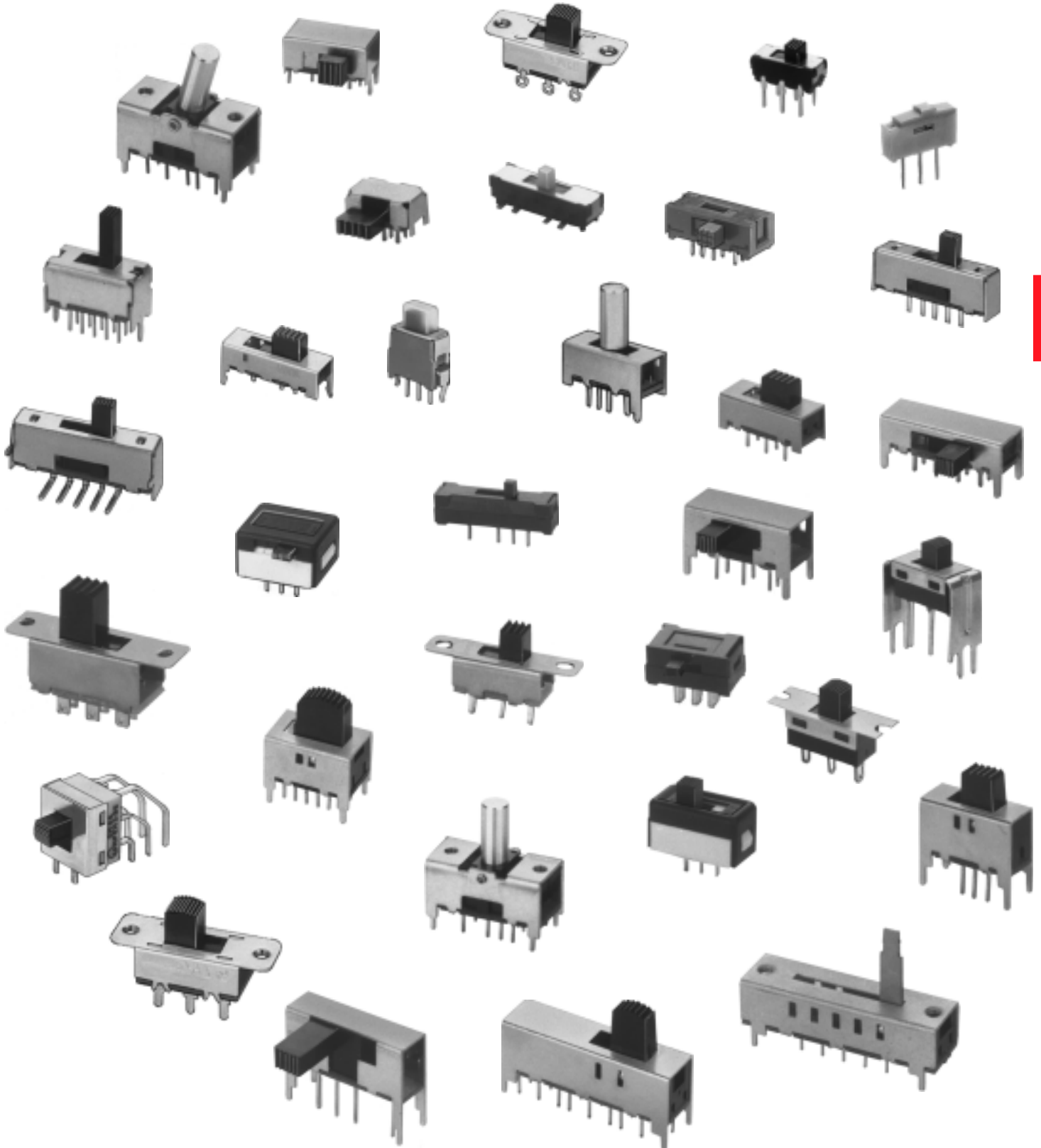


SLIDE SWITCHES

SEE PUSHBUTTON SWITCH SELECTION GUIDE ON NEXT PAGE

SPECIFICATIONS SUBJECT TO CHANGE WITHOUT NOTICE



SLIDE SWITCHES

SLIDE SWITCH SELECTION GUIDE: This catalog contains an extensive variety of slide switches with numerous options and accessories. To facilitate easy selection of the desired switch for your application, the guide on page O2 lists the various Series with some key selection parameters.

SPECIFICATIONS SUBJECT TO CHANGE WITHOUT NOTICE

| MICROMINIATURE SLIDE SWITCHES | | | | | | | | |
|-------------------------------|---------|------------|--|-----------|-------------|--------------------------|-------------------|---------|
| SERIES | POLES | POS-ITIONS | RATINGS | WASH-ABLE | LIFE CYCLES | MOUNTING | ACTUATION | PAGE(S) |
| MJS | 1&2 | 2&3 | 100 ma @ 12VDC | No | 10,000 | P.C. thru-hole | Vert. & rt. angle | O3-O4 |
| MSSA | 2 | 2 | 100 ma @ 30VDC or 125VAC & dry circuit | No | 10,000 | P.C. thru-hole | Vert. & rt. angle | O5 |
| MA | 1 | 2&3 | 300 ma @ 4VDC | No | 10,000 | Surface | Rt. angle | O6 |
| MHSS | 1&2 | 2 | 300 ma @ 6VDC | No | 5000 | P.C. thru-hole | Vert. & rt. angle | O7 |
| MS | 1,2&4 | 2&3 | 300 ma @ 6VDC | No | 10,000 | P.C. thru-hole & surface | Vert. & rt, angle | O8-O10 |
| MMS | 1,2,4&6 | 2&3 | 300 ma @ 30VDC | No | 10,000 | P.C. thru-hole | Vert. & rt. angle | O11-O12 |
| MINIATURE SLIDE SWITCHES | | | | | | | | |
| SERIES | POLES | POS-ITIONS | RATINGS | WASH-ABLE | LIFE CYCLES | MOUNTING | ACTUATION | PAGE(S) |
| MSTS | 1&2 | 3 | 300 ma @ 28VDC | Yes | 10,000 | P.C. thru-hole | Vertical | O13 |
| MHS | 1&2 | 2&3 | 300 ma @ 30VDC | Yes | 10,000 | P.C. thru-hole | Vertical | O14-O17 |
| SLB | 1&2 | 2,3,4&5 | 300 ma @ 30VDC or 125 VAC | Yes | 10,000 | P.C. thru-hole | Vert. & rt. angle | O18-O25 |
| SLC | 1&2 | 2 | 300 ma @ 30VDC or 125 VAC | Yes | 10,000 | Panel | Vertical | O26 |
| SLG | 1 | 2 | 300 ma @ 30VDC or 125 VAC | Yes | 10,000 | P.C. thru-hole & panel | Vertical | O27 |
| SLA | 1&2 | 2 | 500 ma @ 125VAC | Yes | 10,000 | P.C. thru-hole & panel | Vertical | O28-O29 |

ALPHA-NUMERIC INDEX BY SERIES

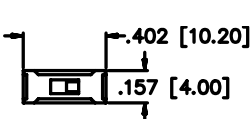

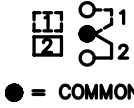
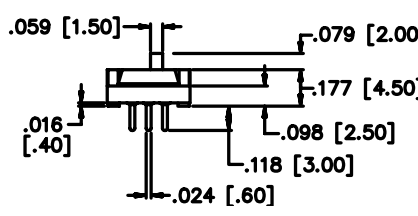
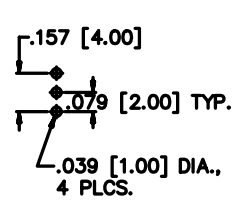
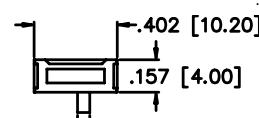

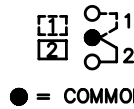
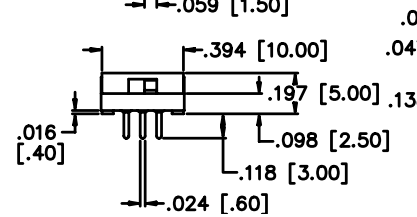
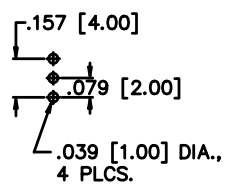
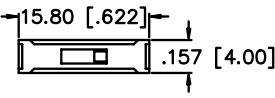
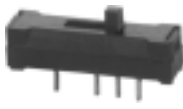
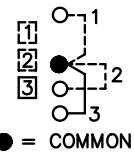
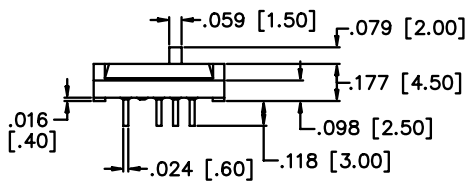
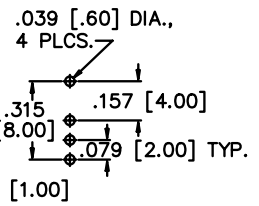
| | | | |
|---------------|-----------------|---------------|-----------------|
| SERIES | Page (s) | SERIES | Page (s) |
| MA | O6 | MSSA | O5 |
| MHS | O14-O17 | MSTS | O13 |
| MHSS | O7 | SLA | O28-O29 |
| MJS | O3-O4 | SLB | O18-O25 |
| MMS | O11-O12 | SLC | O26 |
| MS | O8-O10 | SLG | O27 |

MJS Series

Microminiature Slide Switches


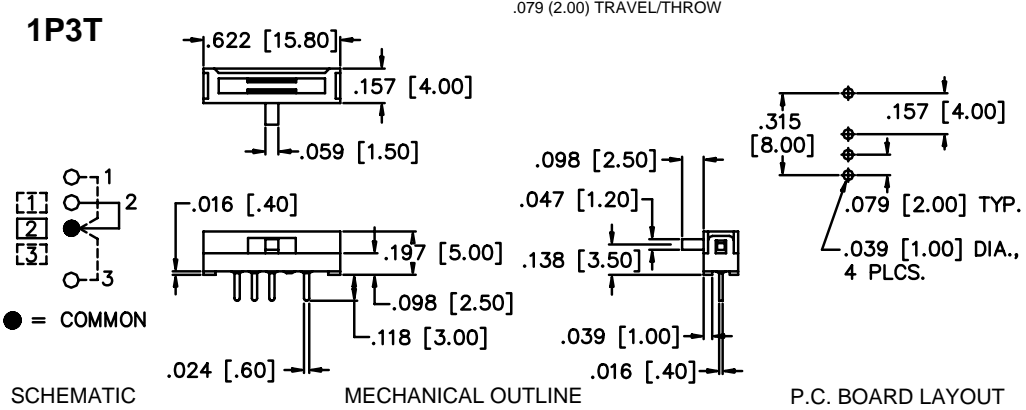

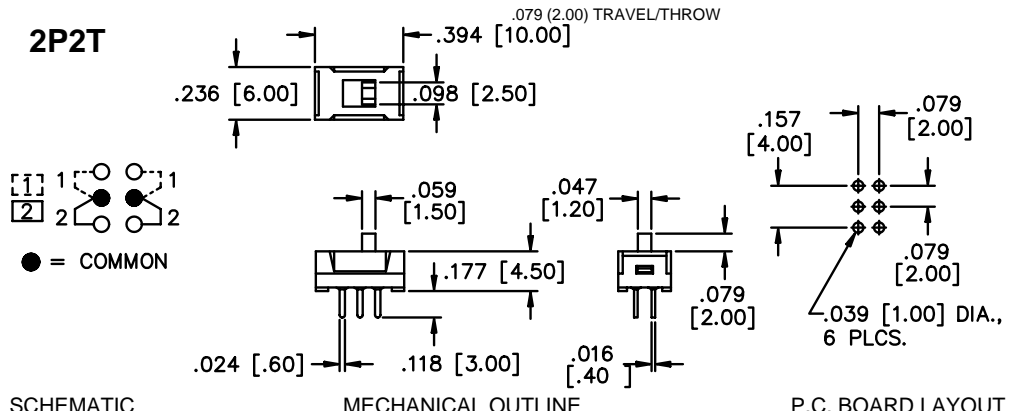

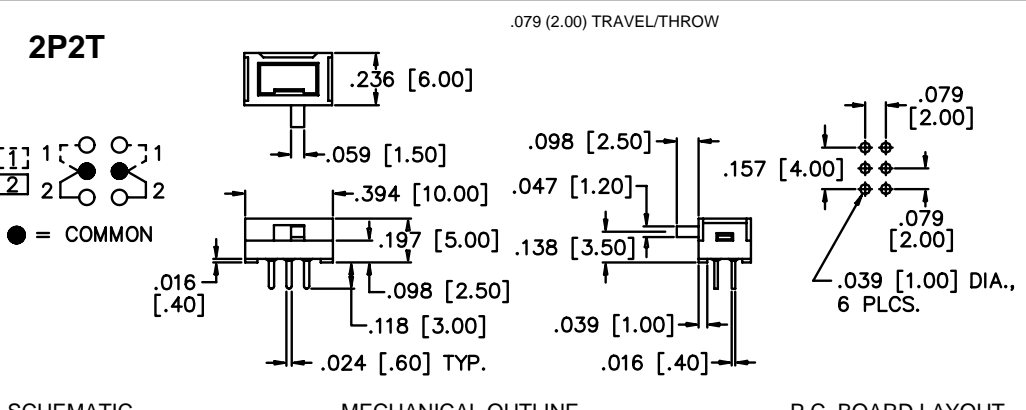
SPECIFICATIONS SUBJECT TO CHANGE WITHOUT NOTICE

| SPECIFICATIONS | FEATURES |
|--|--|
| <p>Contact rating: 100 mA at 12 VDC</p> <p>Initial contact resistance: 20 milliohms max.</p> <p>Insulation resistance: 100 megohms min. at 500 VDC</p> <p>Dielectric strength: 500 volts RMS at sea level</p> <p>Electrical life: 10,000 cycles min.</p> <p>Operating temperature range: -10°C to +60°C</p> <p>Actuation force: 225g (average)</p> <p>Solder heat resistance: 260°C max. for 5 seconds</p> <p>Washing not recommended</p> | <ul style="list-style-type: none"> Molded-in terminals minimize flux or solder entry. Molded-in high temperature phenolic base. Low Profile. Bifurcated wiping contact design. |
| MATERIALS | |
| | <p>Contacts & terminals: Silver plated</p> <p>Case & actuator: Thermoplastic</p> <p>Terminal seal: Molded-in</p> |

| | | | |
|---|--|--|---|
| MODEL NO. MJS12 | 1P2T  <p style="text-align: right; font-size: small;">.079 (2.00) TRAVEL/THROW</p> | | |
|  |  <p>● = COMMON</p> |  |  |
| VERTICAL ACTUATOR | SCHEMATIC | MECHANICAL OUTLINE | P.C. BOARD LAYOUT |
| MODEL NO. MJS12R | 1P2T  <p style="text-align: right; font-size: small;">.079 (2.00) TRAVEL/THROW</p> | | |
|  |  <p>● = COMMON</p> |  |  |
| RIGHT ANGLE ACTUATOR | SCHEMATIC | MECHANICAL OUTLINE | P.C. BOARD LAYOUT |
| MODEL NO. MJS13 | 1P3T  <p style="text-align: right; font-size: small;">.079 (2.00) TRAVEL/THROW</p> | | |
|  |  <p>● = COMMON</p> |  |  |
| VERTICAL ACTUATOR | SCHEMATIC | MECHANICAL OUTLINE | P.C. BOARD LAYOUT |

MJS Series

Microminiature Slide Switches

| | |
|--|--|
| <p>MODEL NO.</p> <p>MJS13R</p>  <p>RIGHT ANGLE ACTUATOR</p> | <p style="text-align: right;">.079 (2.00) TRAVEL/THROW</p> <p>1P3T</p>  <p>● = COMMON</p> <p>SCHEMATIC MECHANICAL OUTLINE P.C. BOARD LAYOUT</p> |
| <p>MODEL NO.</p> <p>MJS22</p>  <p>VERTICAL ACTUATOR</p> | <p style="text-align: right;">.079 (2.00) TRAVEL/THROW</p> <p>2P2T</p>  <p>● = COMMON</p> <p>SCHEMATIC MECHANICAL OUTLINE P.C. BOARD LAYOUT</p> |
| <p>MODEL NO.</p> <p>MJS22R</p>  <p>RIGHT ANGLE ACTUATOR</p> | <p style="text-align: right;">.079 (2.00) TRAVEL/THROW</p> <p>2P2T</p>  <p>● = COMMON</p> <p>SCHEMATIC MECHANICAL OUTLINE P.C. BOARD LAYOUT</p> |

SPECIFICATIONS SUBJECT TO CHANGE WITHOUT NOTICE

MSSA Series

Microminiature Slide Switches

SPECIFICATIONS SUBJECT TO CHANGE WITHOUT NOTICE

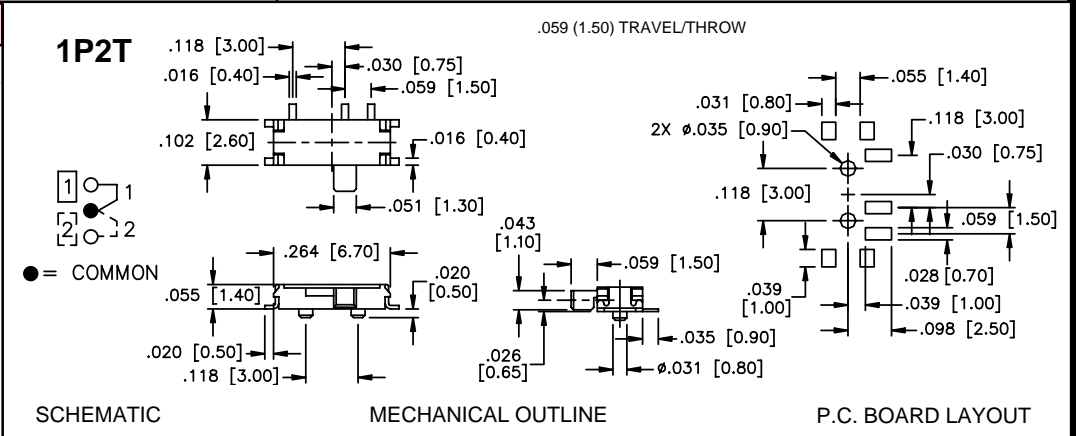
| SPECIFICATIONS | | FEATURES | |
|--|---------|--|--------------------------|
| <p>Contact ratings: Gold; 0.4 Volt-Amps (VA) max. at 20 V max. (AC or DC) Silver; 100 mA at 125 VAC or 30 VDC</p> <p>Initial contact resistance: 30 milliohms max.</p> <p>Insulation resistance: 100 megohms min. at 250 VDC</p> <p>Dielectric strength: 250 volts RMS at sea level</p> <p>Electrical life: 10,000 cycles min.</p> <p>Operating temperature range: -10°C to +60°C</p> <p>Actuation force: 250g ± 150g</p> <p>Solder heat resistance: 260°C max. for 3 seconds</p> <p>Washing not recommended</p> | | <ul style="list-style-type: none"> ● Low Profile. ● Epoxy sealed terminals. ● Cosmetic molded case. | |
| | | MATERIALS | |
| | | <p>Contacts & terminals: Gold or silver available (see contact ratings)</p> <p>Housing and Actuator: Thermoplastic</p> <p>Base: High temperature thermoplastic</p> <p>Terminal seal: Epoxy</p> | |
| MODEL NO. | PLATING | 2P2T | |
| MSSA22G | GOLD | | |
| <p>VERTICAL ACTUATOR</p> | | <p>● = COMMON</p> <p>SCHEMATIC</p> | <p>P.C. BOARD LAYOUT</p> |

MA Series

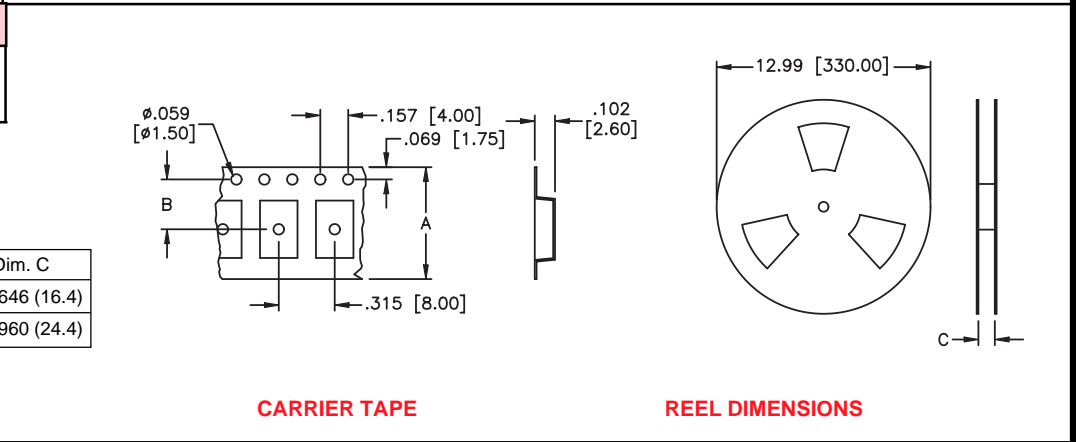
Microminiature Memory Card Slide Switches

| SPECIFICATIONS | FEATURES |
|---|--|
| <p>Contact rating: 300 mA at 4 VDC</p> <p>Initial contact resistance: 70 milliohms max.</p> <p>Insulation resistance: 100 megohms min. at 100 VDC</p> <p>Dielectric strength: 100 VAC for 1 minute</p> <p>Electrical life: 10,000 cycles min.</p> <p>Operating temperature range: -10°C to +60°C</p> <p>Actuation force: 200g ± 100g</p> <p>Solder heat resistance: Reflow - 260°C max. for 1 min. Manual - iron temperature 305 °C max. for 6 seconds.</p> <p>Washing not recommended</p> | <ul style="list-style-type: none"> Ultra-compact size. Low Profile. Surface mounting with restraining bosses. Reflow or hand solderable. |
| MATERIALS | |
| <p>Contacts: Silver plated beryllium copper</p> <p>Terminals: Silver plated brass</p> <p>Base: Liquid crystal polymer Cover: Tin plated steel</p> <p>Actuator: Liquid crystal polymer</p> | |

| MODEL NO. |
|--|
| MA12R |
|  |
| RIGHT ANGLE ACTUATOR |



| MODEL NO. | | | | | | | | | | | | |
|--|-------------|-------------|-------------|--------|----------|-------------|------------|-------------|----------|-------------|-------------|-------------|
| MA12R/TR | | | | | | | | | | | | |
| MA13R/TR | | | | | | | | | | | | |
| Same as above models except supplied on tape & reel as shown. | | | | | | | | | | | | |
| <table border="1" style="width: 100%; border-collapse: collapse; font-size: x-small;"> <thead> <tr> <th>Model No.</th> <th>Dim. A</th> <th>Dim. B</th> <th>Dim. C</th> </tr> </thead> <tbody> <tr> <td>MA12R/TR</td> <td>.630 (16.0)</td> <td>.217 (5.5)</td> <td>.646 (16.4)</td> </tr> <tr> <td>MA13R/TR</td> <td>.945 (24.0)</td> <td>.453 (11.5)</td> <td>.960 (24.4)</td> </tr> </tbody> </table> | Model No. | Dim. A | Dim. B | Dim. C | MA12R/TR | .630 (16.0) | .217 (5.5) | .646 (16.4) | MA13R/TR | .945 (24.0) | .453 (11.5) | .960 (24.4) |
| Model No. | Dim. A | Dim. B | Dim. C | | | | | | | | | |
| MA12R/TR | .630 (16.0) | .217 (5.5) | .646 (16.4) | | | | | | | | | |
| MA13R/TR | .945 (24.0) | .453 (11.5) | .960 (24.4) | | | | | | | | | |




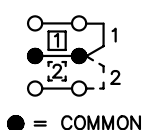
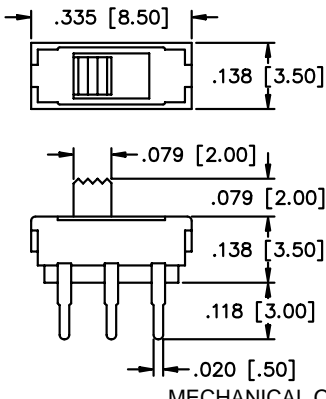
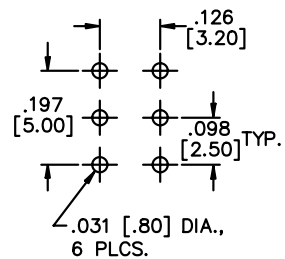

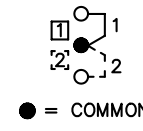
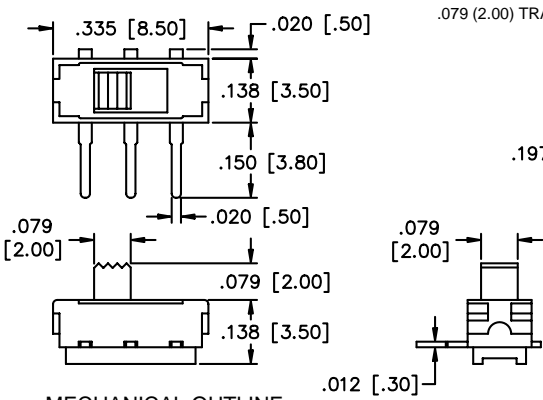
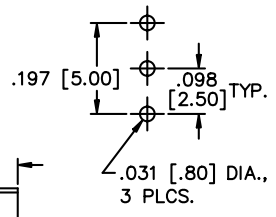
SPECIFICATIONS SUBJECT TO CHANGE WITHOUT NOTICE

MHSS Series

Microminiature Slide Switches

SPECIFICATIONS SUBJECT TO CHANGE WITHOUT NOTICE




| SPECIFICATIONS | FEATURES |
|--|--|
| <p>Contact ratings: 300 mA at 6 VDC</p> <p>Initial contact resistance: 60 milliohms max.</p> <p>Insulation resistance: 100 megohms min. at 100 VDC</p> <p>Dielectric strength: 100 VAC for 1 minute</p> <p>Electrical life: 5000 cycles min.</p> <p>Operating temperature range: -20°C to +70°C</p> <p>Solder heat resistance: 350°C max. for 3 seconds</p> <p>Washing not recommended</p> | <ul style="list-style-type: none"> Excellent tactile feed-back (detent action). Molded-in terminals minimize flux or solder entry. Ultra-compact case size. Low profile. |
| MATERIALS | |
| <p>Contacts & terminals: Silver plated</p> <p>Case: 30% Glass filled nylon, type 6/6, black</p> <p>Actuator: Nylon, type 6/6, black (blue for MHSS2220 only)</p> | |

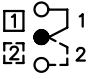
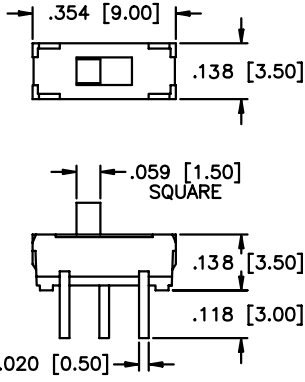
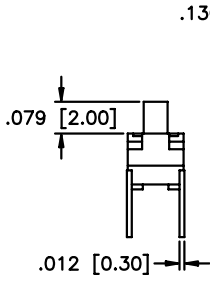
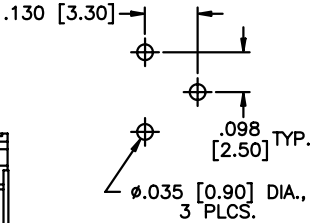
| MODEL NO. | | | |
|---|--|--|--|
| MHSS1104 | | | |
|  <p>VERTICAL ACTUATOR</p> | <p>1P2T</p>  <p>● = COMMON</p> |  <p>MECHANICAL OUTLINE</p> |  <p>P.C. BOARD LAYOUT</p> |
| MHSS1105 | | | |
|  <p>RIGHT ANGLE ACTUATOR</p> | <p>1P2T</p>  <p>● = COMMON</p> |  <p>MECHANICAL OUTLINE</p> |  <p>P.C. BOARD LAYOUT</p> |

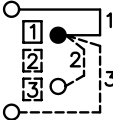
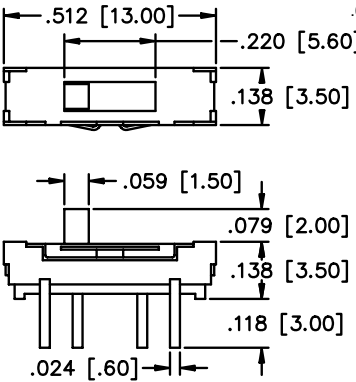
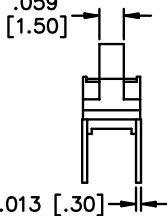
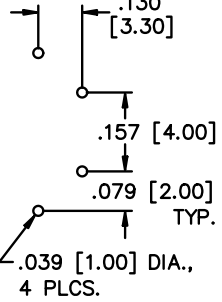
MS Series

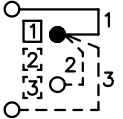
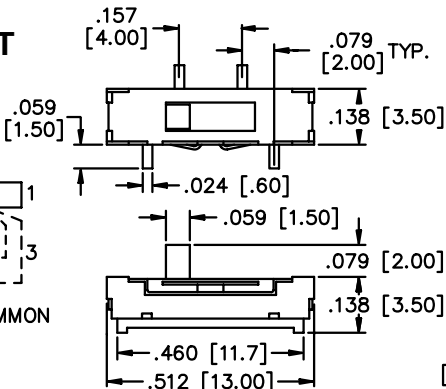
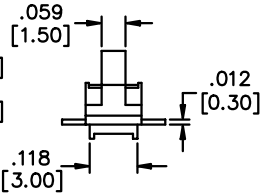
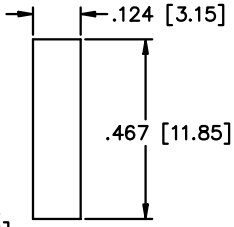
Microminiature Slide Switches

| SPECIFICATIONS | FEATURES |
|---|--|
| <p>Contact rating: 300 mA at 6 VDC</p> <p>Initial contact resistance: 70 milliohms max.</p> <p>Insulation resistance: 100 megohms max. at 500 VDC</p> <p>Dielectric strength: 500 volts RMS at sea level</p> <p>Electrical life: 10,000 cycles min.</p> <p>Operating temperature range: -10°C to +60°C</p> <p>Solder heat resistance: 260°C max. for 3 seconds</p> <p>Washing not recommended</p> | <ul style="list-style-type: none"> ● Low profile. ● Insert molded terminals. ● Stainless steel cover. |
| | MATERIALS |
| | <p>Contacts & terminals: Silver plated</p> <p>Cover: Stainless steel</p> <p>Actuator: Thermoplastic</p> <p>Base: High temperature thermoplastic Terminal seal: Insert molded</p> |

| | | | |
|---|--|--|--|
| MODEL NO. | | | |
| MS12 | | | |
|  | | | |
| VERTICAL ACTUATOR | | | |
| MODEL NO. | | | |
| MS13 | | | |
|  | | | |
| VERTICAL ACTUATOR | | | |
| MODEL NO. | | | |
| MS13S | | | |
|  | | | |
| VERTICAL ACTUATOR | | | |

| | | | |
|--|--|--|--|
| 1P2T | .354 [9.00] | .079 (2.00) TRAVEL/THROW | |
|  |  |  |  |
| ● = COMMON | .138 [3.50] | .130 [3.30] | .098 [2.50] TYP. |
| SCHEMATIC | MECHANICAL OUTLINE | MECHANICAL OUTLINE | P.C. BOARD LAYOUT |
| | .059 [1.50] SQUARE | .079 [2.00] | .035 [0.90] DIA., 3 PLCS. |
| | .138 [3.50] | .118 [3.00] | |
| | .020 [0.50] | .012 [0.30] | |

| | | | |
|---|--|---|---|
| 1P3T | .512 [13.00] | .079 (2.00) TRAVEL/THROW | |
|  |  |  |  |
| ● = COMMON | .220 [5.60] | .130 [3.30] | .157 [4.00] |
| SCHEMATIC | MECHANICAL OUTLINE | MECHANICAL OUTLINE | P.C. BOARD CUTOUT |
| | .138 [3.50] | .059 [1.50] | .079 [2.00] TYP. |
| | .079 [2.00] | .138 [3.50] | .079 [2.00] TYP. |
| | .118 [3.00] | .013 [.30] | .039 [1.00] DIA., 4 PLCS. |
| | .024 [.60] | | |


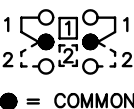
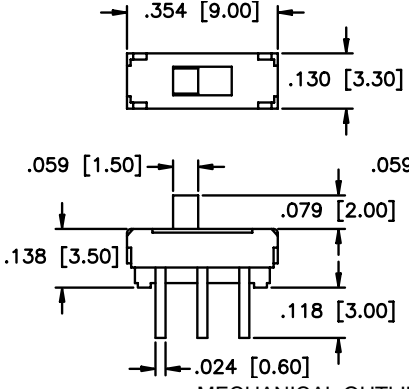
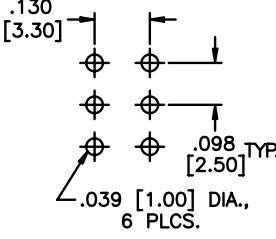

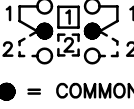
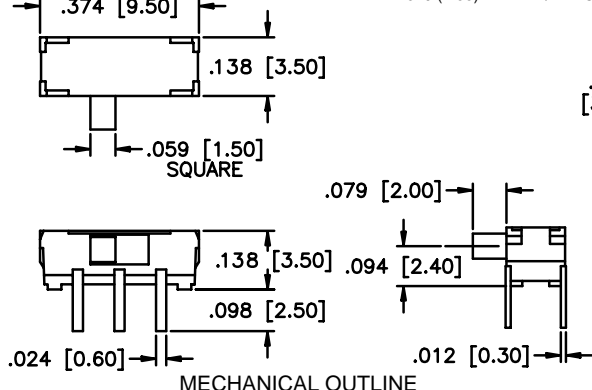
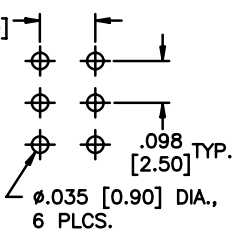

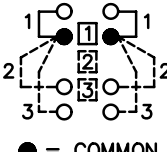
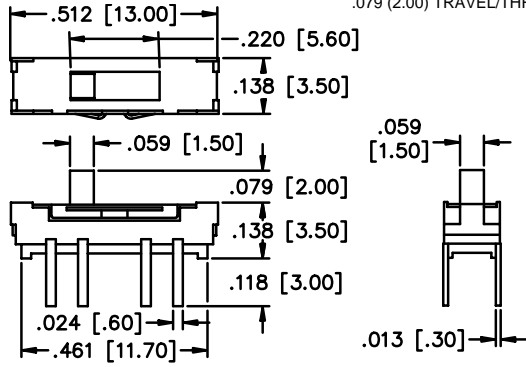
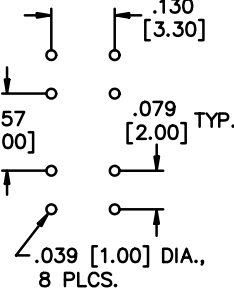

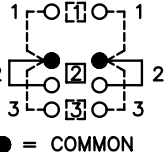
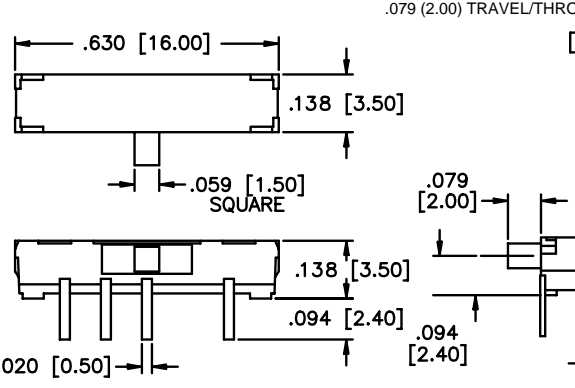
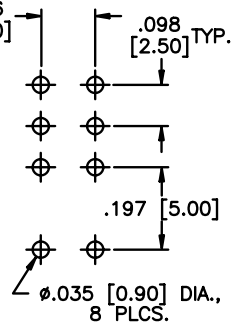
| | | | |
|---|--|---|---|
| 1P3T | .157 [4.00] | .079 (2.00) TRAVEL/THROW | |
|  |  |  |  |
| ● = COMMON | .079 [2.00] TYP. | .124 [3.15] | .467 [11.85] |
| SCHEMATIC | MECHANICAL OUTLINE | MECHANICAL OUTLINE | P.C. BOARD LAYOUT |
| | .059 [1.50] | .059 [1.50] | |
| | .138 [3.50] | .118 [3.00] | |
| | .024 [.60] | .012 [0.30] | |
| | .079 [2.00] | | |
| | .460 [11.7] | | |
| | .512 [13.00] | | |

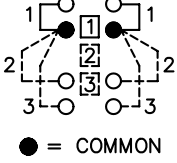

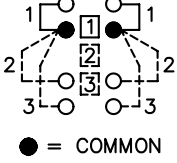
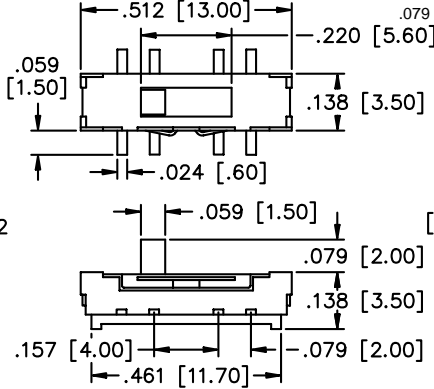
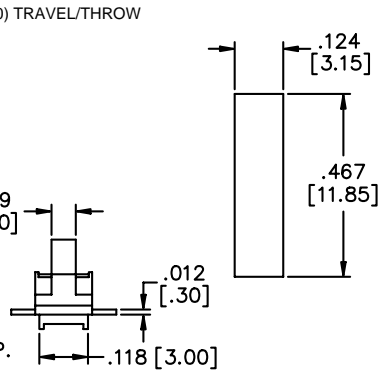
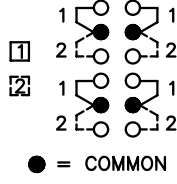

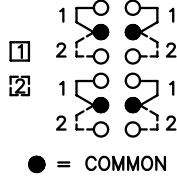
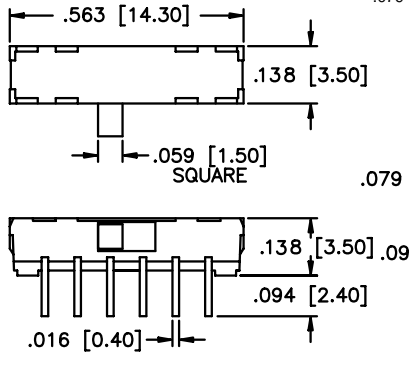
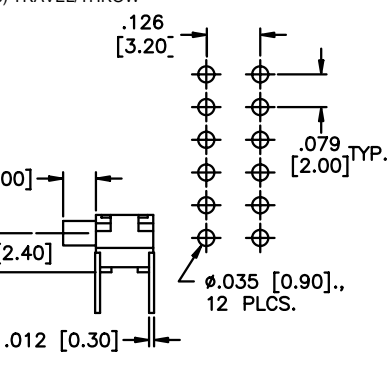
SPECIFICATIONS SUBJECT TO CHANGE WITHOUT NOTICE

MS Series

Microminiature Slide Switches

SPECIFICATIONS SUBJECT TO CHANGE WITHOUT NOTICE

| | |
|--|---|
| <p>MODEL NO. MS22</p>  <p>VERTICAL ACTUATOR</p> | <p>2P2T</p>  <p>● = COMMON</p>  <p>MECHANICAL OUTLINE</p>  <p>P.C. BOARD LAYOUT</p> <p style="text-align: right;">.079 (2.00) TRAVEL/THROW</p> |
| <p>MODEL NO. MS22R</p>  <p>RIGHT ANGLE ACTUATOR</p> | <p>2P2T</p>  <p>● = COMMON</p>  <p>MECHANICAL OUTLINE</p>  <p>P.C. BOARD LAYOUT</p> <p style="text-align: right;">.079 (2.00) TRAVEL/THROW</p> |
| <p>MODEL NO. MS23</p>  <p>VERTICAL ACTUATOR</p> | <p>2P3T</p>  <p>● = COMMON</p>  <p>MECHANICAL OUTLINE</p>  <p>P.C. BOARD LAYOUT</p> <p style="text-align: right;">.079 (2.00) TRAVEL/THROW</p> |
| <p>MODEL NO. MS23R</p>  <p>RIGHT ANGLE ACTUATOR</p> | <p>2P3T</p>  <p>● = COMMON</p>  <p>MECHANICAL OUTLINE</p>  <p>P.C. BOARD CUTOUT</p> <p style="text-align: right;">.079 (2.00) TRAVEL/THROW</p> |

| | | | |
|---|---|--|--|
| MODEL NO. | 2P3T | | |
| MS23S |  | | |
|  <p>VERTICAL ACTUATOR</p> |  <p>● = COMMON</p> |  <p>MECHANICAL OUTLINE</p> |  <p>P.C. BOARD CUTOUT</p> |
| MODEL NO. | 4P2T | | |
| MS42R |  | | |
|  <p>RIGHT ANGLE ACTUATOR</p> |  <p>● = COMMON</p> |  <p>MECHANICAL OUTLINE</p> |  <p>P.C. BOARD LAYOUT</p> |


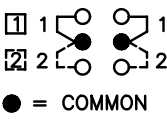
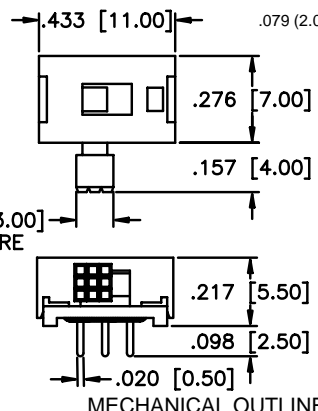
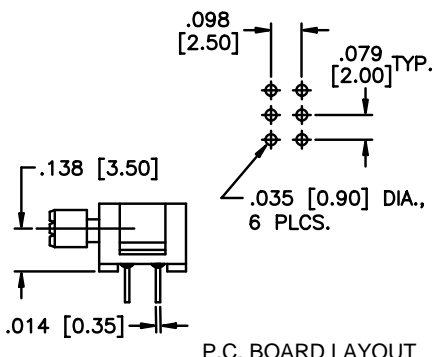

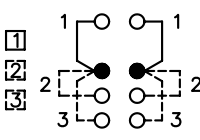
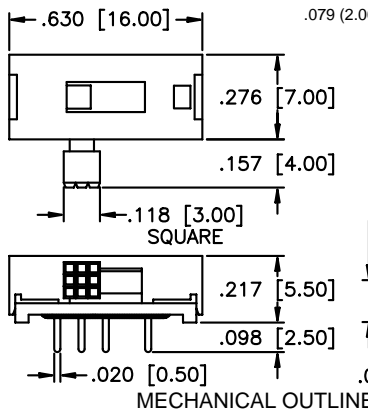
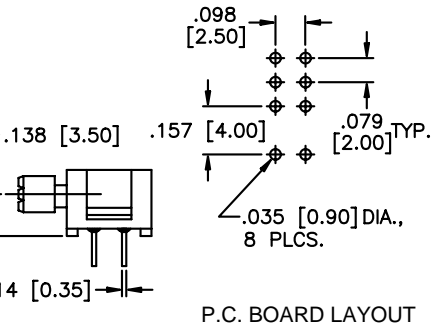

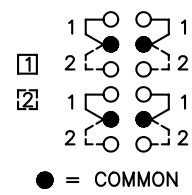
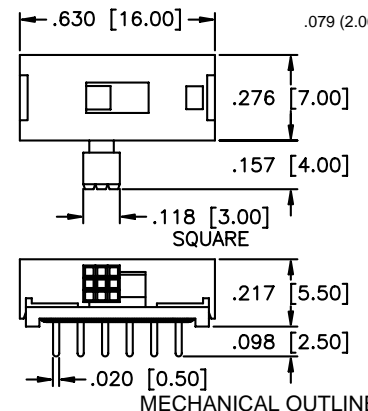
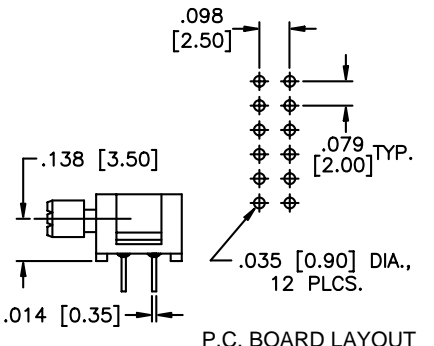
SPECIFICATIONS SUBJECT TO CHANGE WITHOUT NOTICE

MMS Series

Microminiature Slide Switches

SPECIFICATIONS SUBJECT TO CHANGE WITHOUT NOTICE


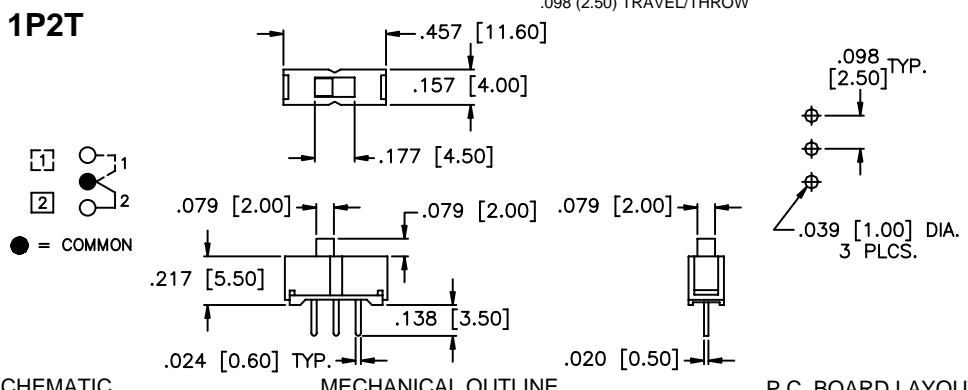

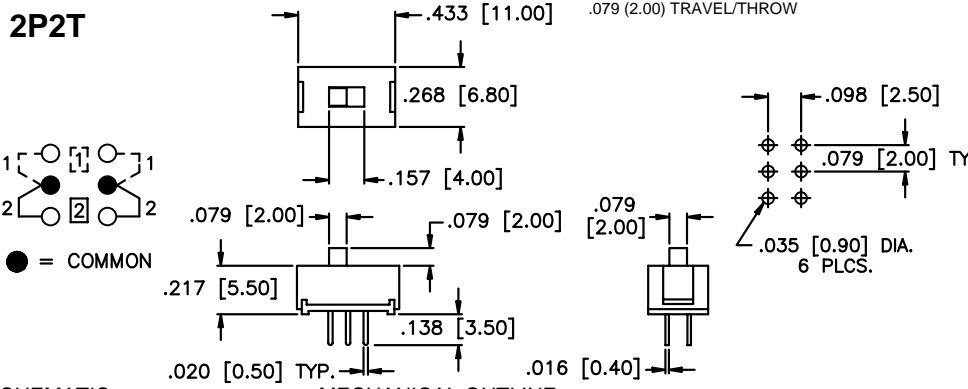

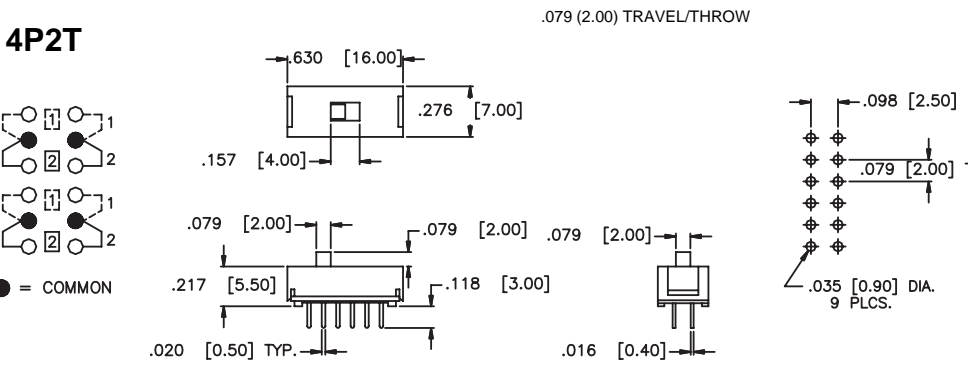

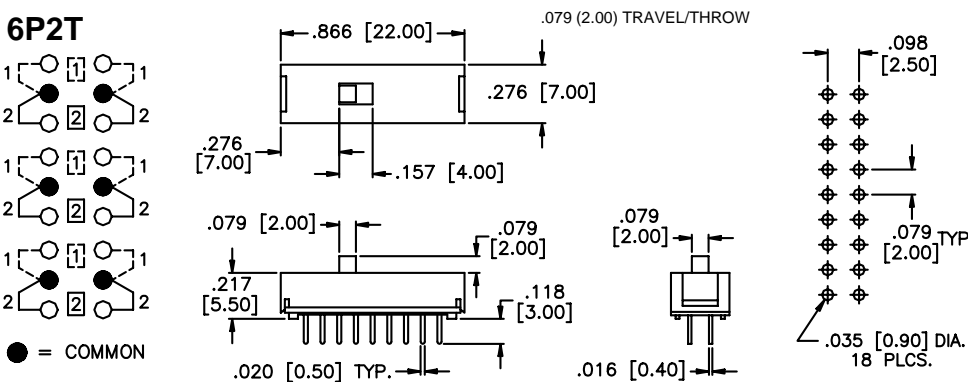
| SPECIFICATIONS | FEATURES |
|--|---|
| <p>Contact ratings: 300 mA at 30 VDC</p> <p>Initial contact resistance: 25 milliohms max.</p> <p>Insulation resistance: 100 megohms min. at 500 VDC</p> <p>Dielectric strength: 500 volts RMS for 1 minute</p> <p>Electrical life: 10,000 cycles min.</p> <p>Operating temperature range: -20°C to +70°C</p> <p>Solder heat resistance: 255°C max. for 5 seconds max.</p> <p>Washing not recommended</p> | <ul style="list-style-type: none"> ● Bifurcated wiping contact design. ● Low Profile. ● Epoxy sealed terminals. ● Cosmetic molded case. |
| MATERIALS | |
| <p>Contacts & terminals: Silver plated</p> <p>Case: Polyacetal</p> <p>Actuator: PBT Base: Glass filled PBT</p> <p>Terminal seal: Epoxy or phenol resin</p> | |

| MODEL NO. | | | |
|---|--|--|--|
| MMS22R | | | |
|  <p>RIGHT ANGLE ACTUATOR</p> | <p>2P2T</p>  <p>● = COMMON</p> |  <p>MECHANICAL OUTLINE</p> |  <p>P.C. BOARD LAYOUT</p> |
| MODEL NO. | | | |
| MMS23R | | | |
|  <p>RIGHT ANGLE ACTUATOR</p> | <p>2P3T</p>  <p>● = COMMON</p> |  <p>MECHANICAL OUTLINE</p> |  <p>P.C. BOARD LAYOUT</p> |
| MODEL NO. | | | |
| MMS42R | | | |
|  <p>RIGHT ANGLE ACTUATOR</p> | <p>4P2T</p>  <p>● = COMMON</p> |  <p>MECHANICAL OUTLINE</p> |  <p>P.C. BOARD LAYOUT</p> |

MMS Series

Microminiature Slide Switches

SPECIFICATIONS SUBJECT TO CHANGE WITHOUT NOTICE


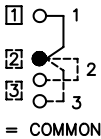
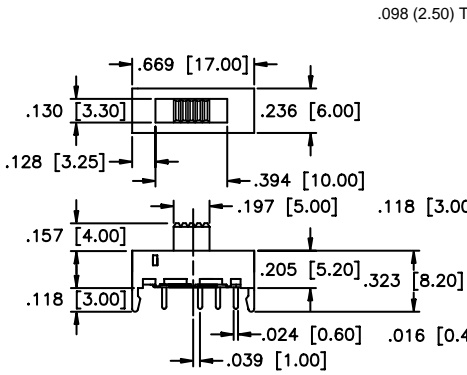
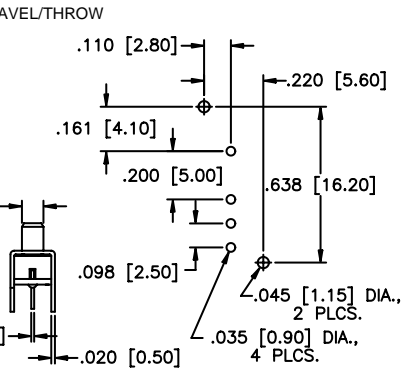

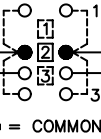
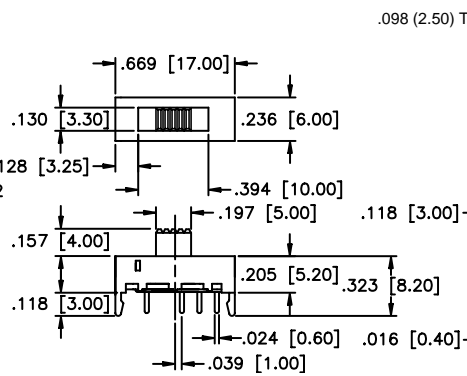
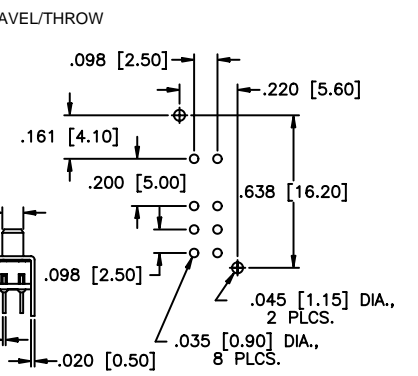
| | |
|--|---|
| <p>MODEL NO.</p> <p>MMS1208</p>  <p>VERTICAL ACTUATOR</p> | <p>1P2T .098 (2.50) TRAVEL/THROW</p>  <p> 1 2 = COMMON </p> <p>SCHEMATIC MECHANICAL OUTLINE P.C. BOARD LAYOUT</p> |
| <p>MODEL NO.</p> <p>MMS2214</p>  <p>VERTICAL ACTUATOR</p> | <p>2P2T .079 (2.00) TRAVEL/THROW</p>  <p> 1 2 = COMMON </p> <p>SCHEMATIC MECHANICAL OUTLINE P.C. BOARD LAYOUT</p> |
| <p>MODEL NO.</p> <p>MMS42</p>  <p>VERTICAL ACTUATOR</p> | <p>4P2T .079 (2.00) TRAVEL/THROW</p>  <p> 1 2 = COMMON </p> <p>SCHEMATIC MECHANICAL OUTLINE P.C. BOARD LAYOUT</p> |
| <p>MODEL NO.</p> <p>MMS6202</p>  <p>VERTICAL ACTUATOR</p> | <p>6P2T .079 (2.00) TRAVEL/THROW</p>  <p> 1 2 = COMMON </p> <p>SCHEMATIC MECHANICAL OUTLINE P.C. BOARD LAYOUT</p> |

MSTS Series

Miniature Slide Switches

SPECIFICATIONS SUBJECT TO CHANGE WITHOUT NOTICE

| SPECIFICATIONS | FEATURES |
|---|--|
| <p>Contact rating: 300 mA at 28 VDC</p> <p>Initial contact resistance: 20 milliohms max.</p> <p>Insulation resistance: 100 megohms min. at 500 VDC</p> <p>Dielectric strength: 500 VAC for 1 minute</p> <p>Electrical life: 10,000 cycles min.</p> <p>Operating temperature range: -20°C to +85°C</p> <p>Solder heat resistance: 250°C max. for 5 seconds</p> <p>Actuation force: 200-600 grams</p> <p>Solvent washing permissible</p> | <ul style="list-style-type: none"> ● Miniature compact size. ● Wash-through open frame construction. ● Snap-in p.c. mounting bracket design. ● Positive spring loaded ball detent mechanism. ● Epoxy sealed terminals. ● Gold plated contacts available - consult factory. |
| | MATERIALS |
| | <p>Contacts & terminals: Silver plated brass</p> <p>Housing: Zinc plated steel</p> <p>Actuator: Polyacetal, color black</p> <p>Base: Phenolic laminated sheet</p> <p style="text-align: right;">Terminal seal: Epoxy</p> |


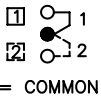
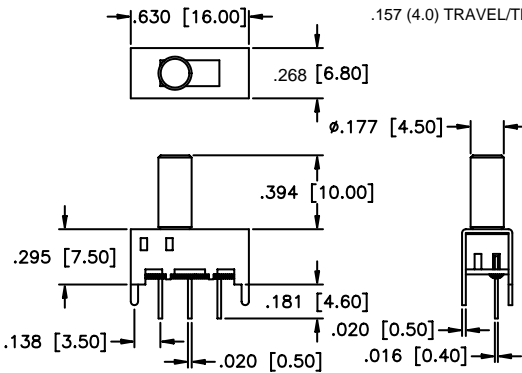
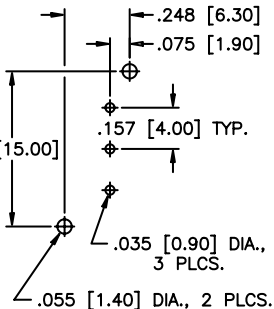

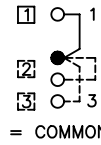
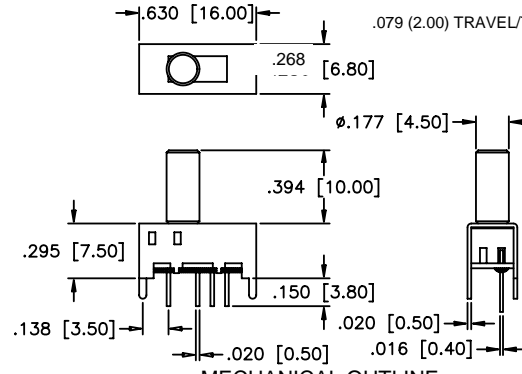
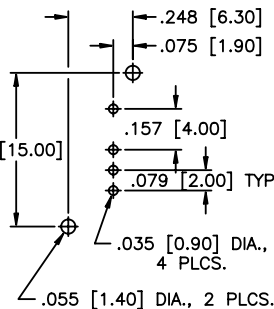
| MODEL NO. | | | |
|--|--|---|---|
| MSTS1332K | | | |
|  <p>VERTICAL ACTUATOR</p> | <p>1P3T</p>  <p>SCHMATIC</p> | <p>MECHANICAL OUTLINE</p>  | <p>P.C. BOARD LAYOUT</p>  |
| MODEL NO. | | | |
| MSTS2332K | | | |
|  <p>VERTICAL ACTUATOR</p> | <p>2P3T</p>  <p>SCHMATIC</p> | <p>MECHANICAL OUTLINE</p>  | <p>P.C. BOARD LAYOUT</p>  |

MHS Series

Miniature Slide Switches

with aluminum actuator

| SPECIFICATIONS | FEATURES |
|--|--|
| <p>Contact rating: 300 mA at 30 VDC</p> <p>Initial contact resistance: 20 milliohms max.</p> <p>Insulation resistance: 100 megohms min. at 500 VDC</p> <p>Dielectric strength: 500 VAC for 1 minute</p> <p>Electrical life: 10,000 cycles min.</p> <p>Operating temperature range: -20°C to +85°C</p> <p>Solder heat resistance: 260°C max. for 3 seconds</p> <p>Actuation force: 250 ±150 grams</p> <p>Solvent washing permissible</p> | <ul style="list-style-type: none"> ● Miniature compact size. ● Wash-through open frame construction. ● Positive spring loaded ball detent mechanism. ● Epoxy sealed terminals. |
| MATERIALS | |
| <p>Contacts & terminals: Silver plated brass</p> <p>Housing: Tin plated steel</p> <p>Actuator: Aluminum alloy</p> <p>Base: Phenolic laminated sheet</p> | <p>Terminal seal: Epoxy</p> |

| MODEL NO. | | | |
|--|---|--|--|
| MHS122K | | | |
|  <p>VERTICAL ACTUATOR</p> | <p>1P2T</p>  <p>SCHEMATIC</p> |  <p>MECHANICAL OUTLINE</p> |  <p>P.C. BOARD LAYOUT</p> |
| MODEL NO. | | | |
| MHS133K | | | |
|  <p>VERTICAL ACTUATOR</p> | <p>1P3T</p>  <p>SCHEMATIC</p> |  <p>MECHANICAL OUTLINE</p> |  <p>P.C. BOARD LAYOUT</p> |

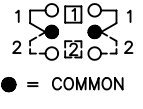
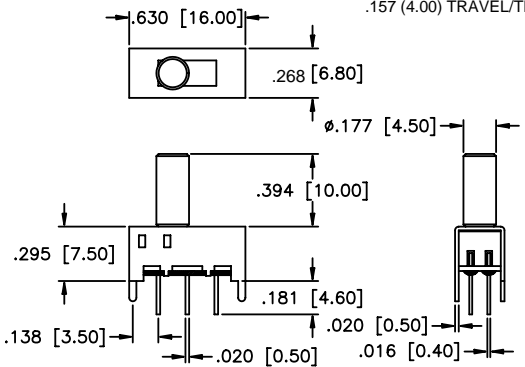
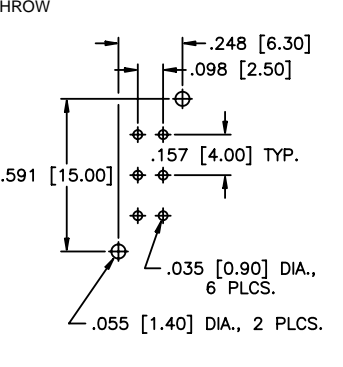
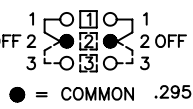
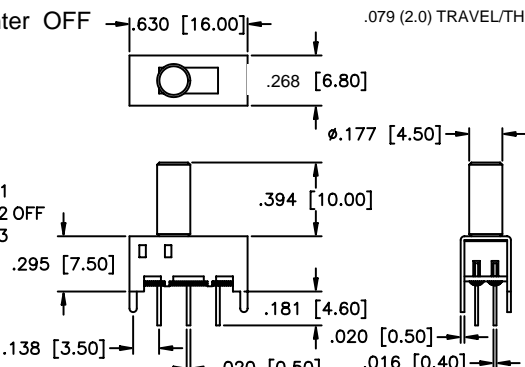
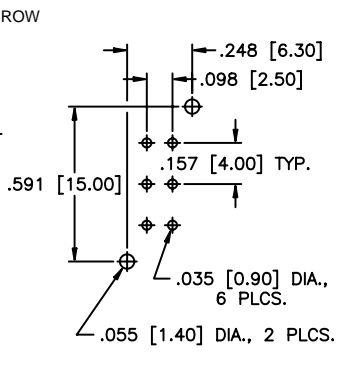
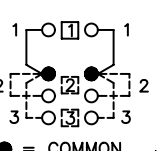
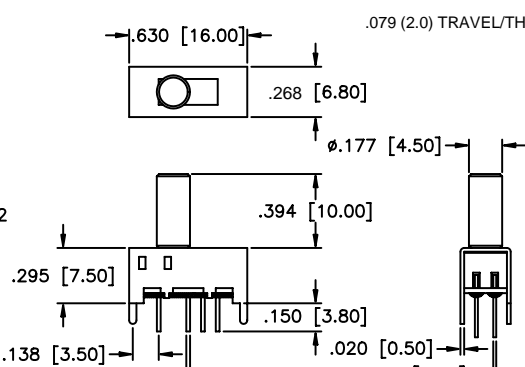
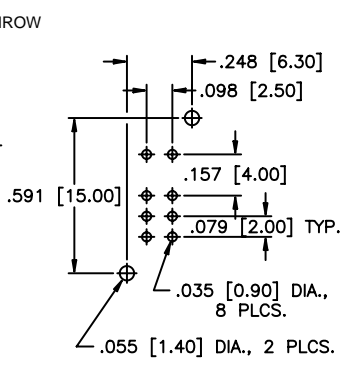
SPECIFICATIONS SUBJECT TO CHANGE WITHOUT NOTICE

MHS Series

Miniature Slide Switches

with aluminum actuator

SPECIFICATIONS SUBJECT TO CHANGE WITHOUT NOTICE


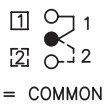
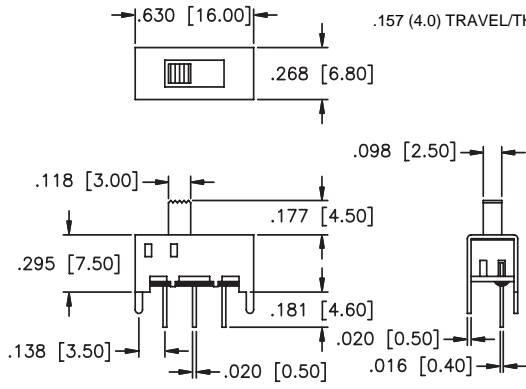
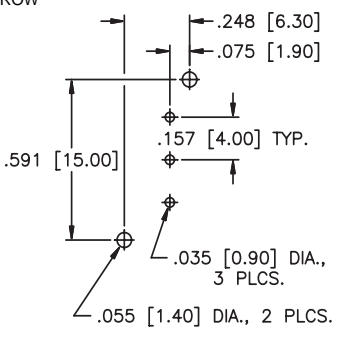

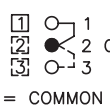
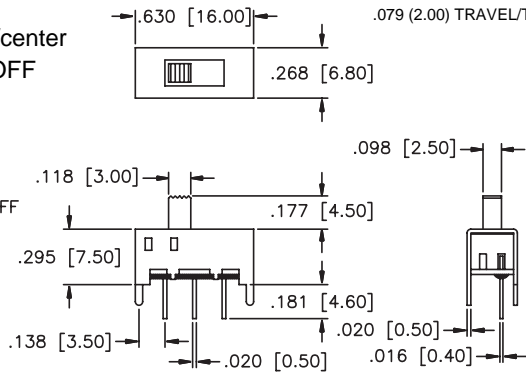
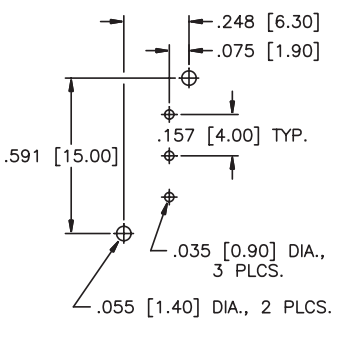

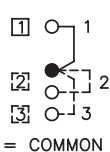
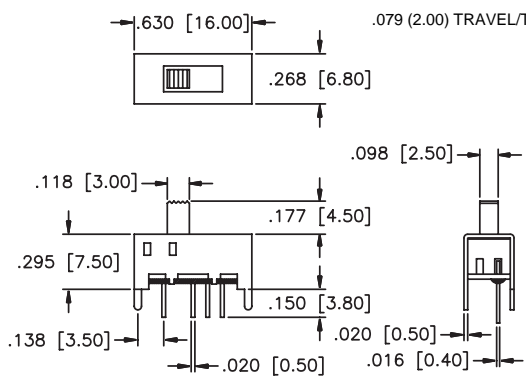
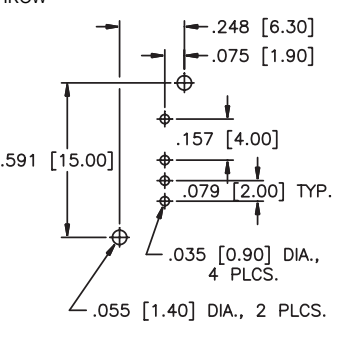
| | | | | |
|---|--|--|--|--|
| <p>MODEL NO.</p> <p>MHS222K</p> | <p>2P2T</p>  <p>● = COMMON</p> |  <p style="text-align: center;">MECHANICAL OUTLINE</p> |  <p style="text-align: center;">P.C. BOARD LAYOUT</p> | |
| <p>VERTICAL ACTUATOR</p> | <p>MODEL NO.</p> <p>MHS223K</p> | <p>2P2T w/center OFF</p>  <p>● = COMMON</p> |  <p style="text-align: center;">MECHANICAL OUTLINE</p> |  <p style="text-align: center;">P.C. BOARD LAYOUT</p> |
| <p>VERTICAL ACTUATOR</p> | <p>MODEL NO.</p> <p>MHS233K</p> | <p>2P3T</p>  <p>● = COMMON</p> |  <p style="text-align: center;">MECHANICAL OUTLINE</p> |  <p style="text-align: center;">P.C. BOARD LAYOUT</p> |
| <p>VERTICAL ACTUATOR</p> | <p>SCHMATIC</p> | <p>SCHMATIC</p> | <p>SCHMATIC</p> | <p>SCHMATIC</p> |

New!

MHS Series Miniature Slide Switches

| SPECIFICATIONS | FEATURES |
|--|--|
| <p>Contact rating: 300 mA at 30 VDC</p> <p>Initial contact resistance: 20 milliohms max.</p> <p>Insulation resistance: 100 megohms min. at 500 VDC</p> <p>Dielectric strength: 500 VAC for 1 minute</p> <p>Electrical life: 10,000 cycles min.</p> <p>Operating temperature range: -20°C to +85°C</p> <p>Solder heat resistance: 260°C max. for 3 seconds</p> <p>Actuation force: 250 ±150 grams</p> <p>Solvent washing permissible</p> | <ul style="list-style-type: none"> ● Miniature compact size. ● Wash-through open frame construction. ● Positive spring loaded ball detent mechanism. ● Epoxy sealed terminals. |
| | MATERIALS |
| | <p>Contacts & terminals: Silver plated brass</p> <p>Housing: Tin plated steel</p> <p>Actuator: Polyacetal</p> <p>Base: Phenolic laminated sheet</p> <p style="text-align: right;">Terminal seal: Epoxy</p> |

SPECIFICATIONS SUBJECT TO CHANGE WITHOUT NOTICE

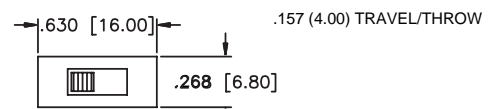

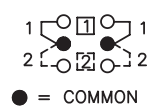
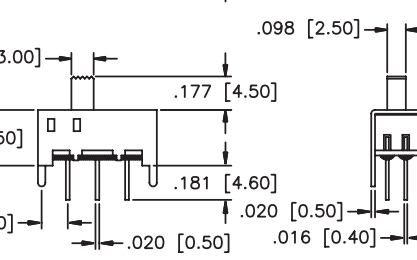
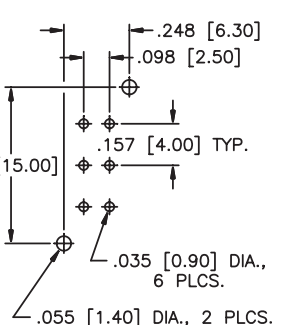
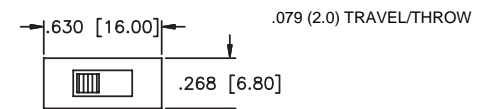

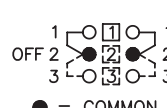
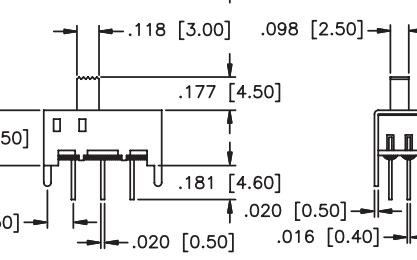
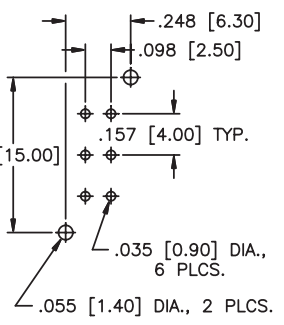
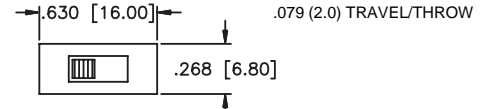

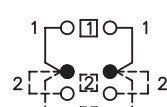
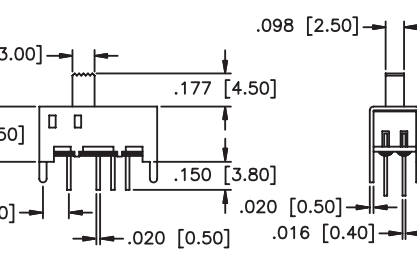
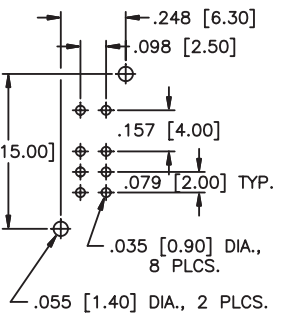
| MODEL NO. | | | |
|--|--|--|--|
| MHS122 | | | |
|  <p>VERTICAL ACTUATOR</p> | <p>1P2T</p>  <p>SCHEMATIC</p> |  <p>MECHANICAL OUTLINE</p> |  <p>P.C. BOARD LAYOUT</p> |
| MHS123 | | | |
|  <p>VERTICAL ACTUATOR</p> | <p>1P2T w/center OFF</p>  <p>SCHEMATIC</p> |  <p>MECHANICAL OUTLINE</p> |  <p>P.C. BOARD LAYOUT</p> |
| MHS133 | | | |
|  <p>VERTICAL ACTUATOR</p> | <p>1P3T</p>  <p>SCHEMATIC</p> |  <p>MECHANICAL OUTLINE</p> |  <p>P.C. BOARD LAYOUT</p> |

MHS Series

Miniature Slide Switches

New!

SPECIFICATIONS SUBJECT TO CHANGE WITHOUT NOTICE

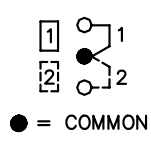
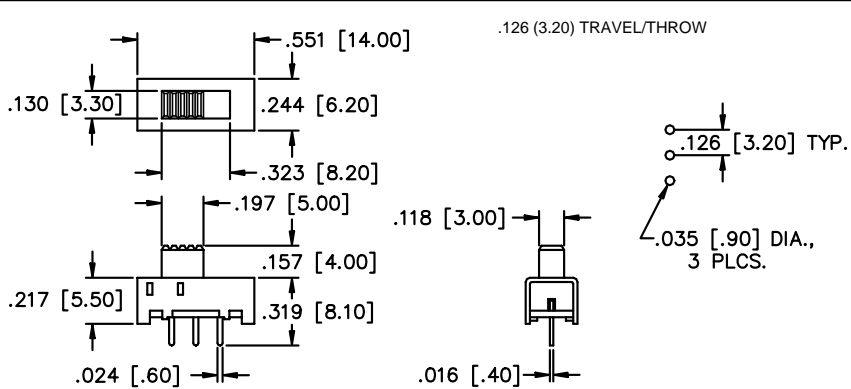

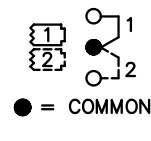
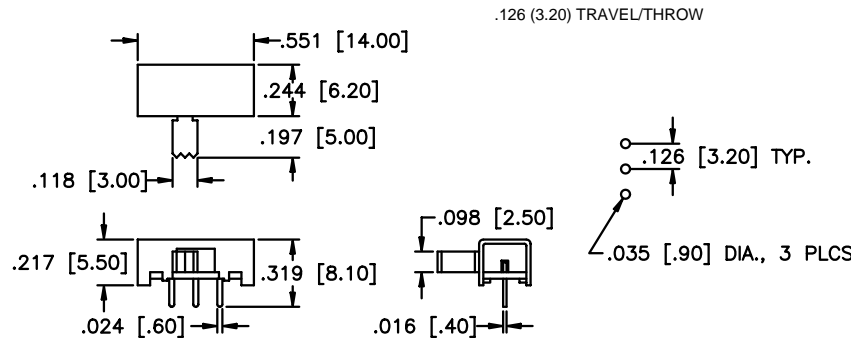

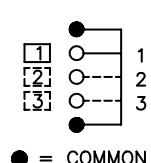
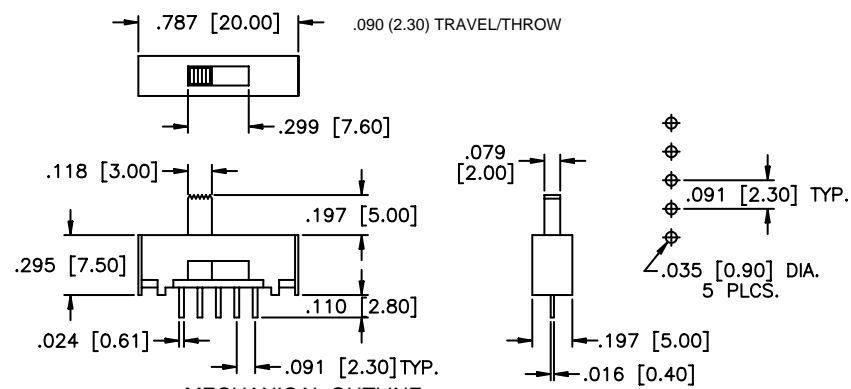
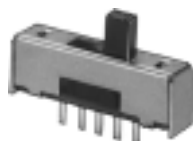
| | | | |
|--|---|--|--|
| <p>MODEL NO.</p> | <p>2P2T</p>  <p>.157 (4.00) TRAVEL/THROW</p> | | |
| <p>MHS222</p> | | | |
|  <p>VERTICAL ACTUATOR</p> |  <p>● = COMMON</p> |  <p>MECHANICAL OUTLINE</p> |  <p>P.C. BOARD LAYOUT</p> |
| <p>MODEL NO.</p> | <p>2P2T w/center OFF</p>  <p>.079 (2.0) TRAVEL/THROW</p> | | |
| <p>MHS223</p> | | | |
|  <p>VERTICAL ACTUATOR</p> |  <p>● = COMMON</p> |  <p>MECHANICAL OUTLINE</p> |  <p>P.C. BOARD LAYOUT</p> |
| <p>MODEL NO.</p> | <p>2P3T</p>  <p>.079 (2.0) TRAVEL/THROW</p> | | |
| <p>MHS233</p> | | | |
|  <p>VERTICAL ACTUATOR</p> |  <p>● = COMMON</p> |  <p>MECHANICAL OUTLINE</p> |  <p>P.C. BOARD LAYOUT</p> |

SLB Series

(with p.c. board stand-off bracket)

Miniature Slide Switches

| SPECIFICATIONS | FEATURES |
|---|--|
| <p>Contact ratings: 300 mA at 125 VAC or 30 VDC</p> <p>Initial contact resistance: 20 milliohms max.</p> <p>Insulation resistance: 100 megohms min. at 500 VDC</p> <p>Dielectric strength: 500 volts RMS for 1 minute</p> <p>Electrical life: 10,000 cycles min.</p> <p>Operating temperature range: -20°C to +85°C</p> <p>Actuation force: 220g ± 100g</p> <p>Solder heat resistance: 260°C max. for 3 seconds</p> <p>Solvent washing permissible</p> | <ul style="list-style-type: none"> Miniature compact size. Wash-through open frame construction. Positive spring loaded ball detent mechanism. Epoxy sealed terminals. |
| MATERIALS | |
| <p>Contacts & terminals: Silver plated</p> <p>Frame: Zinc plated steel</p> <p>Actuator: Thermoplastic</p> <p>Base: Phenolic laminated sheet</p> | <p>Terminal seal: Epoxy</p> |

| | | |
|---|--|--|
| <p>MODEL NO.</p> <p style="color: red;">SLB12814</p> | <p>1P2T</p>  <p>● = COMMON</p> |  <p style="text-align: right;">.126 (3.20) TRAVEL/THROW</p> <p style="text-align: right;">.126 [3.20] TYP.</p> <p style="text-align: right;">.035 [.90] DIA., 3 PLCS.</p> |
|  <p>VERTICAL ACTUATOR</p> | <p>SCHEMATIC</p> <p>MECHANICAL OUTLINE</p> <p>P.C. BOARD LAYOUT</p> | |
| <p>MODEL NO.</p> <p style="color: red;">SLB1281R5</p> | <p>1P2T</p>  <p>● = COMMON</p> |  <p style="text-align: right;">.126 (3.20) TRAVEL/THROW</p> <p style="text-align: right;">.126 [3.20] TYP.</p> <p style="text-align: right;">.035 [.90] DIA., 3 PLCS.</p> |
|  <p>RIGHT ANGLE ACTUATOR</p> | <p>SCHEMATIC</p> <p>MECHANICAL OUTLINE</p> <p>P.C. BOARD LAYOUT</p> | |
| <p>MODEL NO.</p> <p style="color: red;">SLB1370</p> | <p>1P3T</p>  <p>● = COMMON</p> |  <p style="text-align: right;">.090 (2.30) TRAVEL/THROW</p> <p style="text-align: right;">.091 [2.30] TYP.</p> <p style="text-align: right;">.035 [.90] DIA. 5 PLCS.</p> |
|  <p>VERTICAL ACTUATOR</p> | <p>SCHEMATIC</p> <p>MECHANICAL OUTLINE</p> <p>P.C. BOARD LAYOUT</p> | |


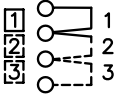
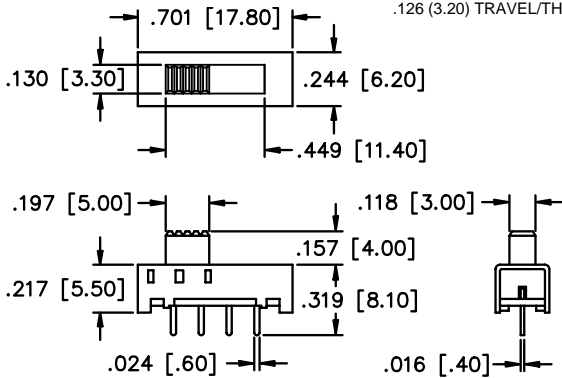
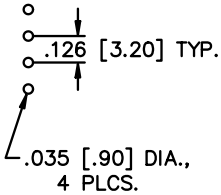

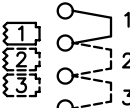
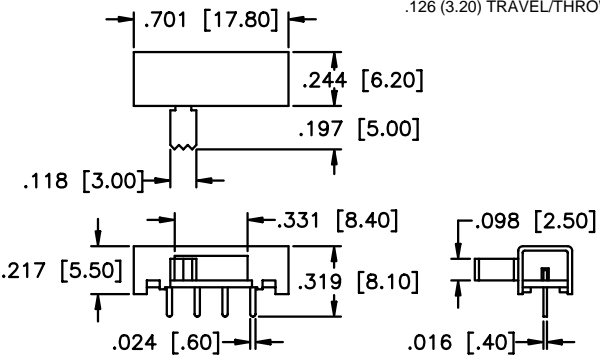
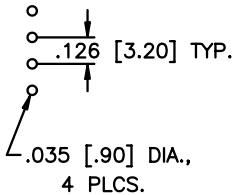
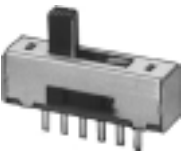
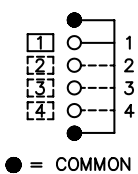
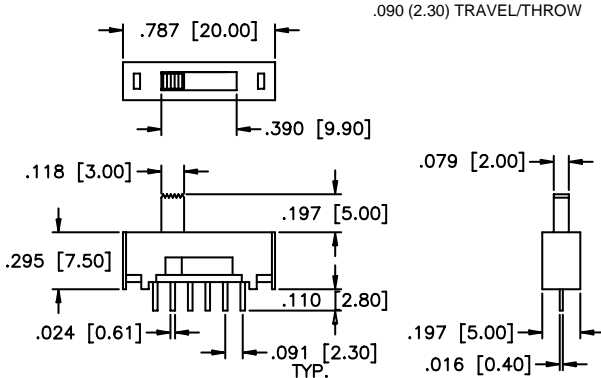
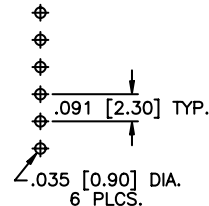

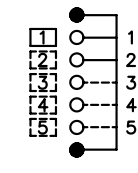
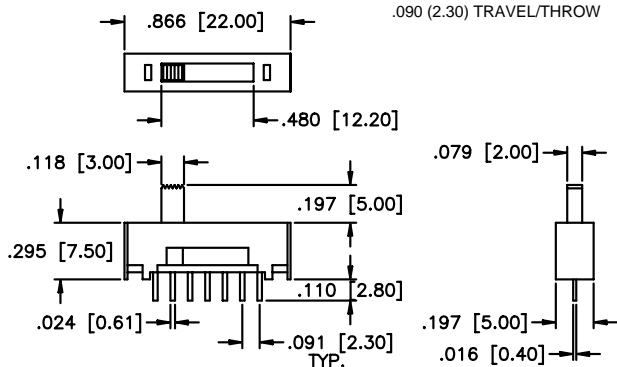
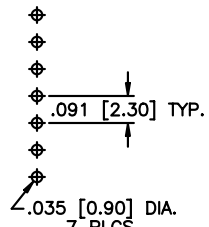
SPECIFICATIONS SUBJECT TO CHANGE WITHOUT NOTICE

SLB Series

(with p.c. board stand-off bracket)

Miniature Slide Switches

SPECIFICATIONS SUBJECT TO CHANGE WITHOUT NOTICE


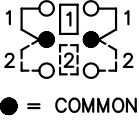
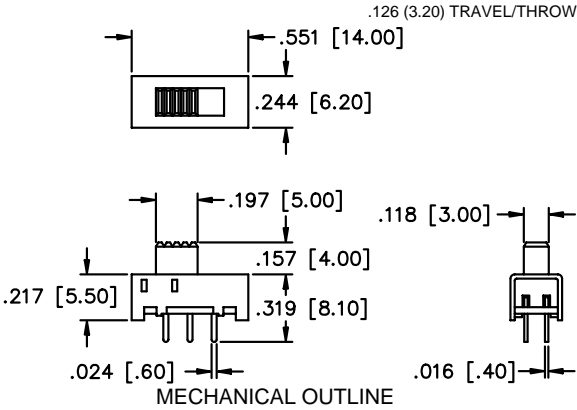
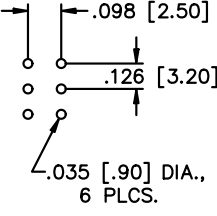

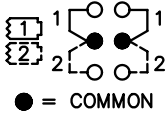
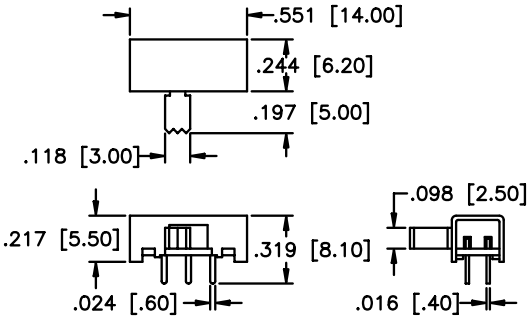
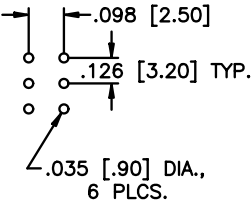

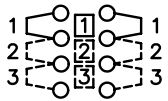
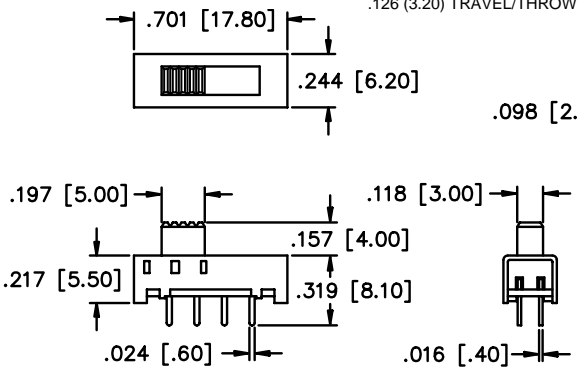
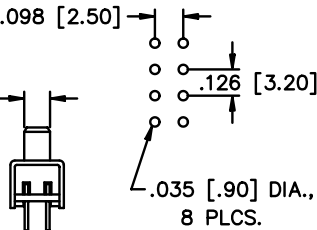

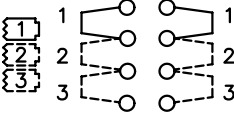
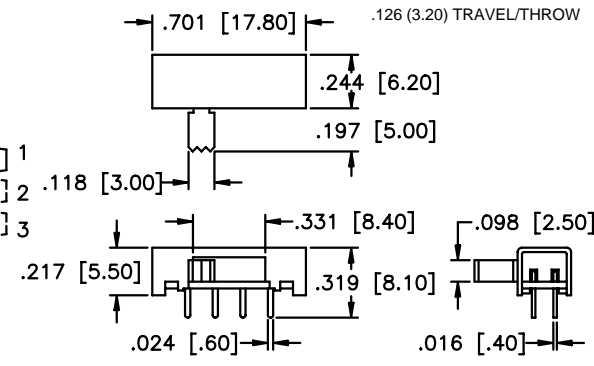
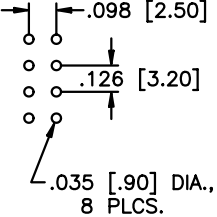
| | | | | |
|--------------------------------------|---|--|--|---|
| MODEL NO. SLB13814 |  | <p>1P3T</p>  | <p>.126 (3.20) TRAVEL/THROW</p>  |  |
| MODEL NO. SLB1381R5 |  | <p>1P3T</p>  | <p>.126 (3.20) TRAVEL/THROW</p>  |  |
| MODEL NO. SLB1470 |  | <p>1P4T</p>  <p>● = COMMON</p> | <p>.090 (2.30) TRAVEL/THROW</p>  |  |
| MODEL NO. SLB1570 |  | <p>1P5T</p>  <p>● = COMMON</p> | <p>.090 (2.30) TRAVEL/THROW</p>  |  |

SLB Series

(with p.c. board stand-off bracket)

Miniature Slide Switches

SPECIFICATIONS SUBJECT TO CHANGE WITHOUT NOTICE

| | | | |
|---|---|--|--|
| <p>MODEL NO.</p> <p>SLB22814</p>  <p>VERTICAL ACTUATOR</p> | <p>2P2T</p>  <p>● = COMMON</p> |  <p>MECHANICAL OUTLINE</p> |  <p>P.C. BOARD LAYOUT</p> |
| <p>MODEL NO.</p> <p>SLB2281R5</p>  <p>RIGHT ANGLE ACTUATOR</p> | <p>2P2T</p>  <p>● = COMMON</p> |  <p>MECHANICAL OUTLINE</p> |  <p>P.C. BOARD LAYOUT</p> |
| <p>MODEL NO.</p> <p>SLB23814</p>  <p>VERTICAL ACTUATOR</p> | <p>2P3T</p>  |  <p>MECHANICAL OUTLINE</p> |  <p>P.C. BOARD LAYOUT</p> |
| <p>MODEL NO.</p> <p>SLB2381R5</p>  <p>RIGHT ANGLE ACTUATOR</p> | <p>2P3T</p>  |  <p>MECHANICAL OUTLINE</p> |  <p>P.C. BOARD LAYOUT</p> |


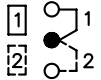

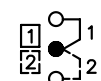
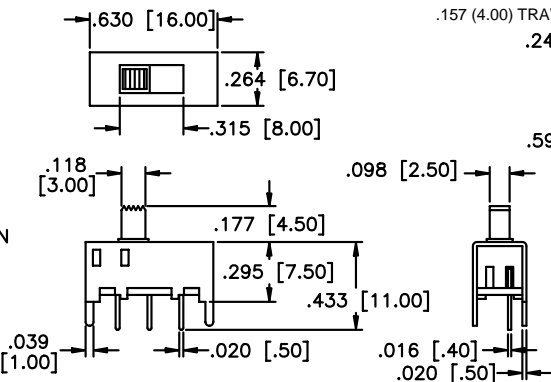

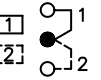
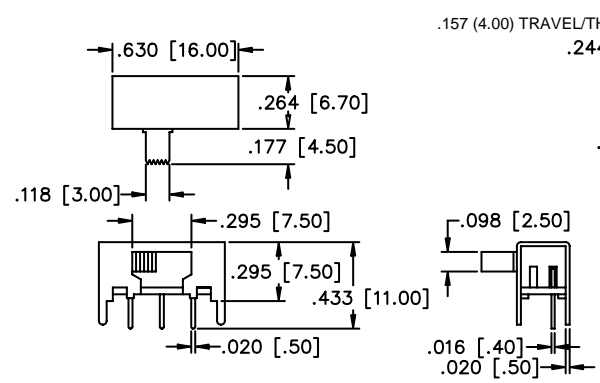
SLB Series

(with thru- p.c. board hole mounting bracket)

Miniature Slide Switches

SPECIFICATIONS SUBJECT TO CHANGE WITHOUT NOTICE


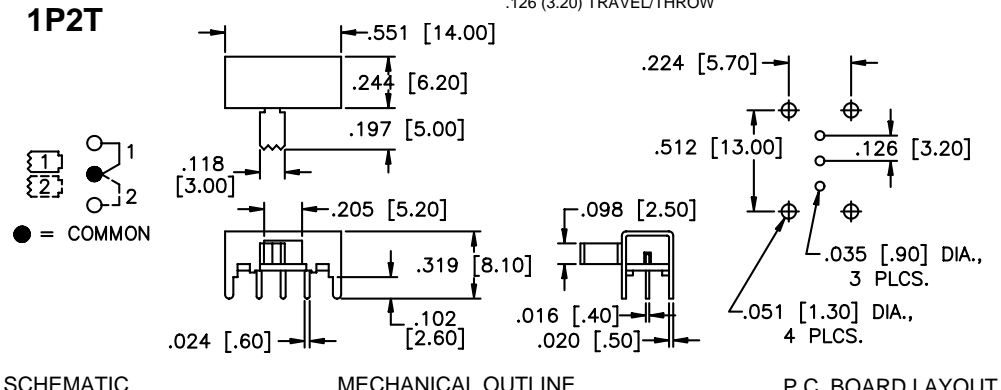

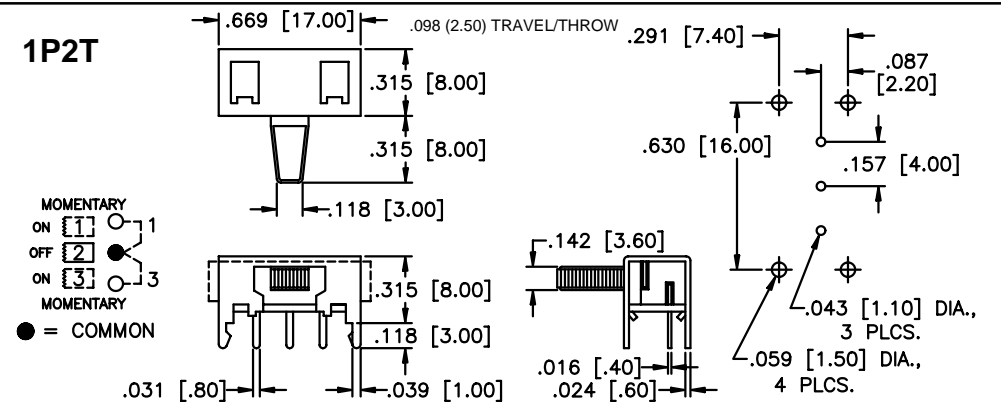
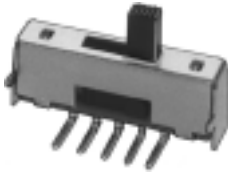
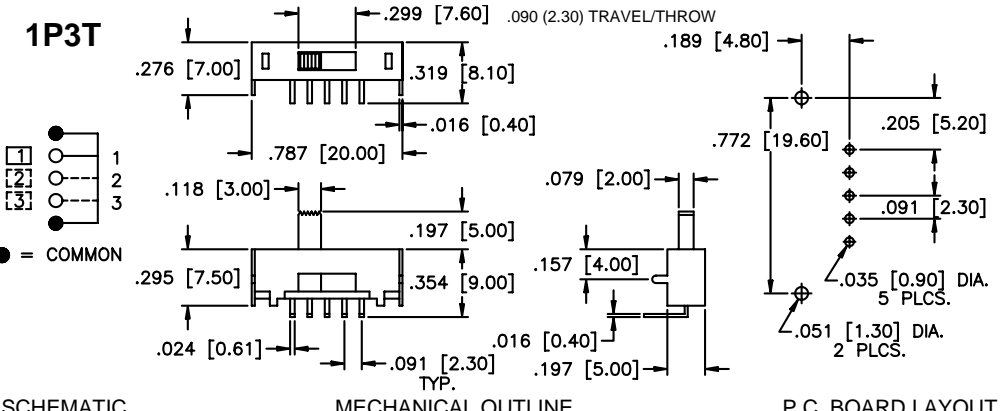

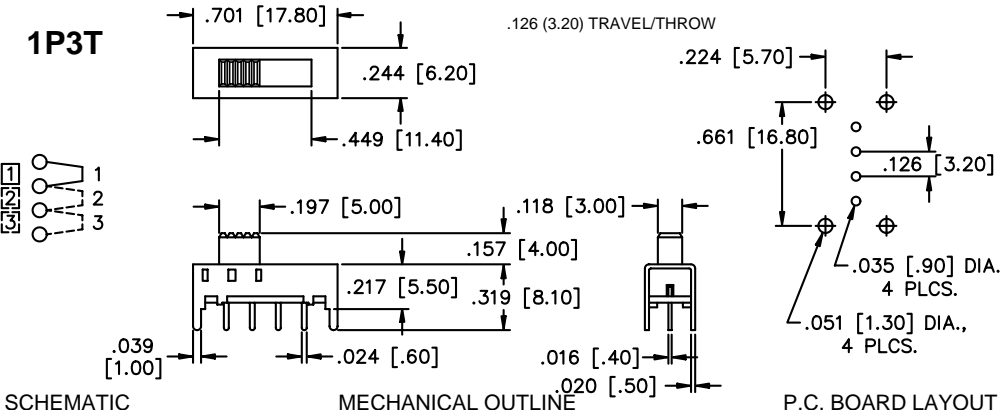
| SPECIFICATIONS | FEATURES |
|---|--|
| <p>Contact ratings: 300 mA at 125 VAC or 30 VDC</p> <p>Initial contact resistance: 20 milliohms max.</p> <p>Insulation resistance: 100 megohms min. at 500 VDC</p> <p>Dielectric strength: 500 volts RMS for 1 minute</p> <p>Electrical life: 10,000 cycles min.</p> <p>Operating temperature range: -20°C to +85°C</p> <p>Actuation force: 220g ± 100g</p> <p>Solder heat resistance: 260°C max. for 3 seconds</p> <p>Solvent washing permissible</p> | <ul style="list-style-type: none"> ● Miniature compact size. ● Wash-through open frame construction. ● Positive spring loaded ball detent mechanism. ● Epoxy sealed terminals. |
| | MATERIALS |
| | <p>Contacts & terminals: Silver plated</p> <p>Frame: Zinc plated steel</p> <p>Actuator: Thermoplastic</p> <p>Base: Phenolic laminated sheet</p> <p style="text-align: right;">Terminal seal: Epoxy</p> |

| | | | |
|---|--|--|--------------------------|
| MODEL NO. | | | |
| SLB12804 | | | |
|  | <p>1P2T</p>  <p>● = COMMON</p> | <p>MECHANICAL OUTLINE</p> | <p>P.C. BOARD LAYOUT</p> |
| VERTICAL ACTUATOR | SCHEMATIC | MECHANICAL OUTLINE | P.C. BOARD LAYOUT |
| MODEL NO. | | | |
| SLB124145 | | | |
|  | <p>1P2T</p>  <p>● = COMMON</p> |  <p>MECHANICAL OUTLINE</p> | <p>P.C. BOARD LAYOUT</p> |
| VERTICAL ACTUATOR | SCHEMATIC | MECHANICAL OUTLINE | P.C. BOARD LAYOUT |
| MODEL NO. | | | |
| SLB1240R45 | | | |
|  | <p>1P2T</p>  <p>● = COMMON</p> |  <p>MECHANICAL OUTLINE</p> | <p>P.C. BOARD LAYOUT</p> |
| RIGHT ANGLE ACTUATOR | SCHEMATIC | MECHANICAL OUTLINE | P.C. BOARD LAYOUT |

SLB Series

(with thru-p.c. board hole mounting bracket)

Miniature Slide Switches

| | |
|--|--|
| <p>MODEL NO.</p> <p style="color: red;">SLB1280R5</p>  <p>RIGHT ANGLE ACTUATOR</p> | <p style="text-align: right;">.126 (3.20) TRAVEL/THROW</p> <p>1P2T</p>  <p style="text-align: center;">SCHEMATIC MECHANICAL OUTLINE P.C. BOARD LAYOUT</p> |
| <p>MODEL NO.</p> <p style="color: red;">SLB1250R8</p>  <p>RIGHT ANGLE ACTUATOR</p> | <p style="text-align: right;">.098 (2.50) TRAVEL/THROW</p> <p>1P2T</p>  <p style="text-align: center;">SCHEMATIC MECHANICAL OUTLINE P.C. BOARD LAYOUT</p> |
| <p>MODEL NO.</p> <p style="color: red;">SLB1370R</p>  <p>RIGHT ANGLE ACTUATOR</p> | <p style="text-align: right;">.090 (2.30) TRAVEL/THROW</p> <p>1P3T</p>  <p style="text-align: center;">SCHEMATIC MECHANICAL OUTLINE P.C. BOARD LAYOUT</p> |
| <p>MODEL NO.</p> <p style="color: red;">SLB13804</p>  <p>VERTICAL ACTUATOR</p> | <p style="text-align: right;">.126 (3.20) TRAVEL/THROW</p> <p>1P3T</p>  <p style="text-align: center;">SCHEMATIC MECHANICAL OUTLINE P.C. BOARD LAYOUT</p> |




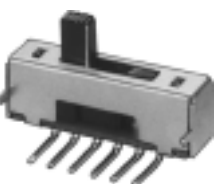
SPECIFICATIONS SUBJECT TO CHANGE WITHOUT NOTICE

SLB Series

(with thru-p.c. board hole mounting bracket)

Miniature Slide Switches

SPECIFICATIONS SUBJECT TO CHANGE WITHOUT NOTICE

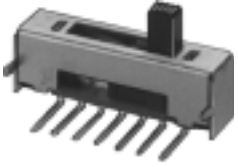
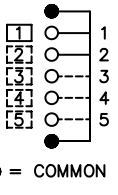
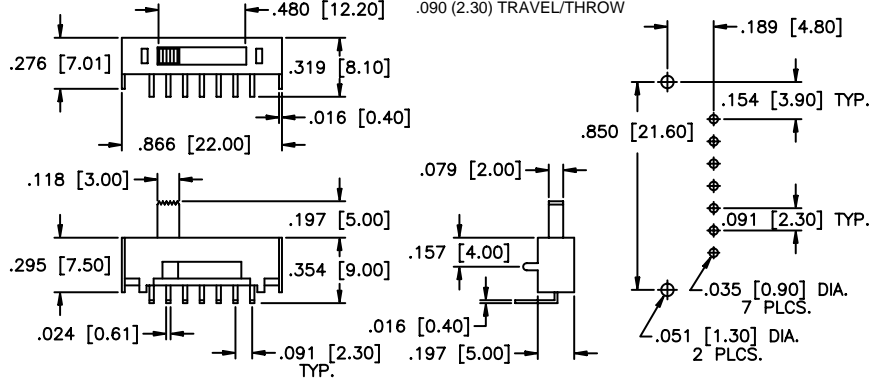

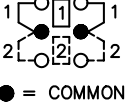
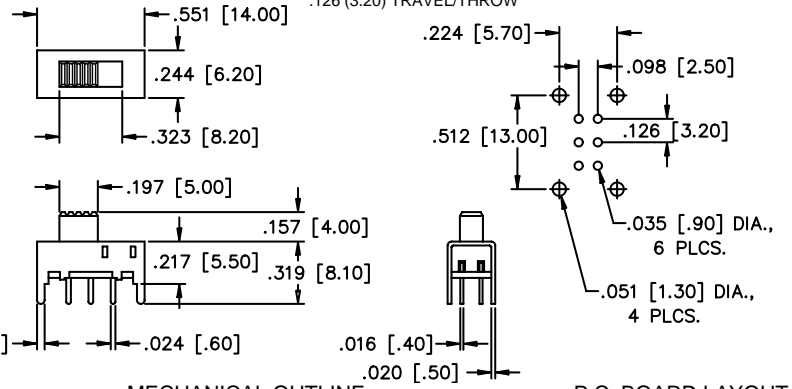
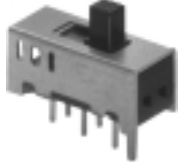
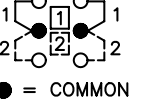
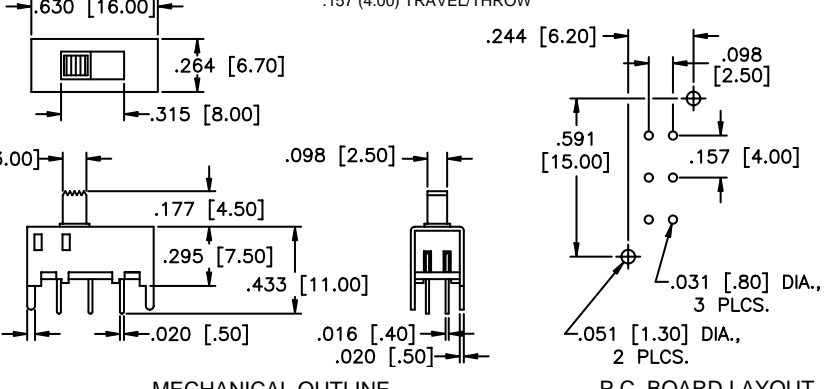
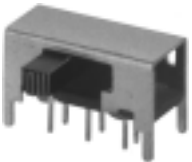
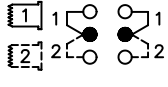
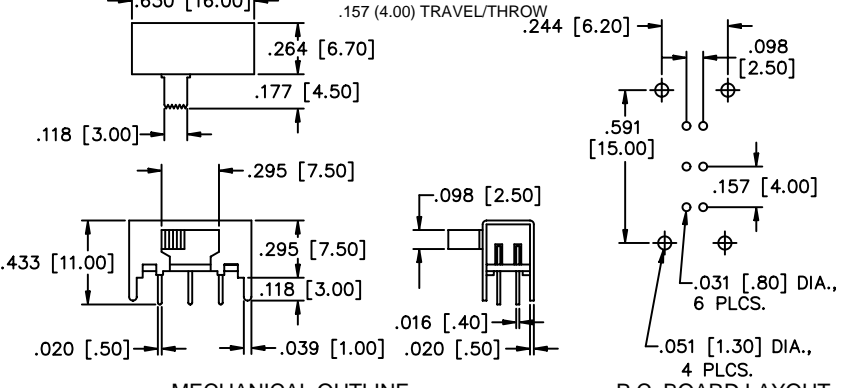
| | |
|---------------------------------------|--|
| MODEL NO. SLB134145 | <p>1P3T</p>  <p>VERTICAL ACTUATOR</p> <p>Schematic: 1P3T configuration with terminals 1, 2, and 3. Terminal 2 is the common terminal.</p> <p>Mechanical Outline: Dimensions include .630 [16.00] total width, .079 (2.00) TRAVEL/THROW, .264 [6.70] actuator height, .315 [8.00] terminal spacing, .118 [3.00] terminal offset, .177 [4.50] terminal width, .295 [7.50] body height, .433 [11.00] body length, .098 [2.50] terminal thickness, .020 [.50] terminal width, .244 [6.20] mounting hole spacing, .591 [15.00] mounting hole offset, .073 [1.85] mounting hole diameter, .157 [4.00] terminal offset, .079 [2.00] TYP. terminal width, .031 [.80] DIA., 4 PLCS. terminal diameter, and .051 [1.30] DIA., 2 PLCS. terminal diameter.</p> <p>P.C. BOARD LAYOUT: Shows mounting hole positions and dimensions: .244 [6.20] spacing, .591 [15.00] offset, .073 [1.85] diameter, .157 [4.00] offset, .079 [2.00] TYP. width, .031 [.80] DIA., 4 PLCS. diameter, and .051 [1.30] DIA., 2 PLCS. diameter.</p> |
| MODEL NO. SLB1340R45 | <p>1P3T</p>  <p>RIGHT ANGLE ACTUATOR</p> <p>Schematic: 1P3T configuration with terminals 1, 2, and 3. Terminal 2 is the common terminal.</p> <p>Mechanical Outline: Dimensions include .630 [16.00] total width, .079 (2.00) TRAVEL/THROW, .264 [6.70] actuator height, .177 [4.50] terminal width, .118 [3.00] terminal offset, .295 [7.50] body height, .433 [11.00] body length, .098 [2.50] terminal thickness, .039 [1.00] terminal offset, .020 [.50] terminal width, .244 [6.20] mounting hole spacing, .591 [15.00] mounting hole offset, .073 [1.85] mounting hole diameter, .157 [4.00] terminal offset, .079 [2.00] TYP. terminal width, .031 [.80] DIA., 4 PLCS. terminal diameter, and .051 [1.30] DIA., 4 PLCS. terminal diameter.</p> <p>P.C. BOARD LAYOUT: Shows mounting hole positions and dimensions: .244 [6.20] spacing, .591 [15.00] offset, .073 [1.85] diameter, .157 [4.00] offset, .079 [2.00] TYP. width, .031 [.80] DIA., 4 PLCS. diameter, and .051 [1.30] DIA., 4 PLCS. diameter.</p> |
| MODEL NO. SLB1380R5 | <p>1P3T</p>  <p>RIGHT ANGLE ACTUATOR</p> <p>Schematic: 1P3T configuration with terminals 1, 2, and 3. Terminal 2 is the common terminal.</p> <p>Mechanical Outline: Dimensions include .701 [17.80] total width, .126 (3.20) TRAVEL/THROW, .244 [6.20] actuator height, .197 [5.00] terminal width, .118 [3.00] terminal offset, .331 [8.40] terminal spacing, .217 [5.50] terminal offset, .319 [8.10] body height, .039 [1.00] terminal offset, .024 [.60] terminal width, .102 [2.60] terminal width, .098 [2.50] terminal thickness, .016 [.40] terminal width, .020 [.50] terminal width, .224 [5.70] mounting hole spacing, .661 [16.80] mounting hole offset, .126 [3.20] mounting hole diameter, .035 [.90] DIA., 4 PLCS. terminal diameter, and .051 [1.30] DIA., 4 PLCS. terminal diameter.</p> <p>P.C. BOARD LAYOUT: Shows mounting hole positions and dimensions: .224 [5.70] spacing, .661 [16.80] offset, .126 [3.20] diameter, .035 [.90] DIA., 4 PLCS. diameter, and .051 [1.30] DIA., 4 PLCS. diameter.</p> |
| MODEL NO. SLB1470R | <p>1P4T</p>  <p>RIGHT ANGLE ACTUATOR</p> <p>Schematic: 1P4T configuration with terminals 1, 2, 3, and 4. Terminal 2 is the common terminal.</p> <p>Mechanical Outline: Dimensions include .390 [9.90] total width, .090 (2.30) TRAVEL/THROW, .276 [7.00] actuator height, .319 [8.10] terminal width, .016 [0.40] terminal offset, .787 [20.00] terminal spacing, .118 [3.00] terminal offset, .197 [5.00] terminal width, .295 [7.50] body height, .354 [9.00] body length, .024 [0.61] terminal offset, .091 [2.30] TYP. terminal width, .016 [0.40] terminal width, .197 [5.00] terminal width, .079 [2.00] terminal thickness, .157 [4.00] terminal thickness, .189 [4.80] mounting hole offset, .772 [19.60] mounting hole offset, .159 [4.05] mounting hole diameter, .091 [2.30] TYP. terminal width, .035 [0.90] DIA., 6 PLCS. terminal diameter, and .051 [1.30] DIA., 2 PLCS. terminal diameter.</p> <p>P.C. BOARD LAYOUT: Shows mounting hole positions and dimensions: .189 [4.80] offset, .772 [19.60] offset, .159 [4.05] diameter, .091 [2.30] TYP. width, .035 [0.90] DIA., 6 PLCS. diameter, and .051 [1.30] DIA., 2 PLCS. diameter.</p> |

SLB Series

(with thru-p.c. board hole mounting bracket)

Miniature Slide Switches


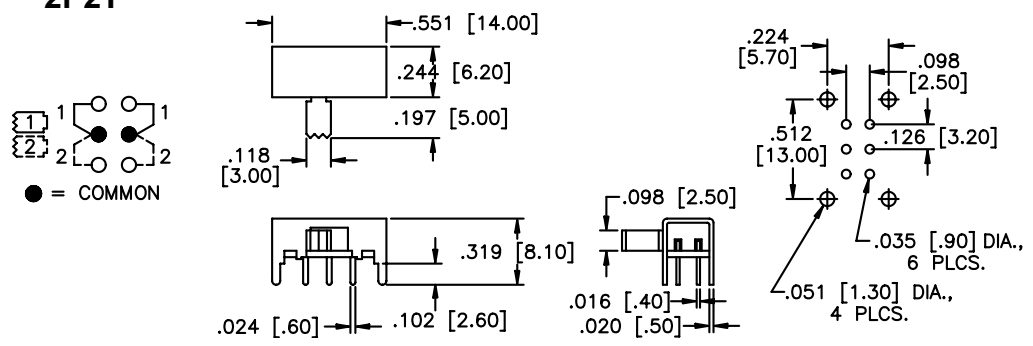

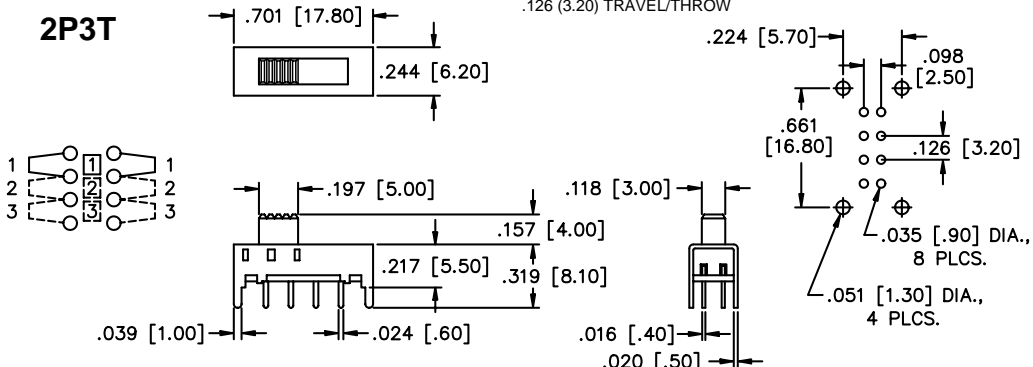

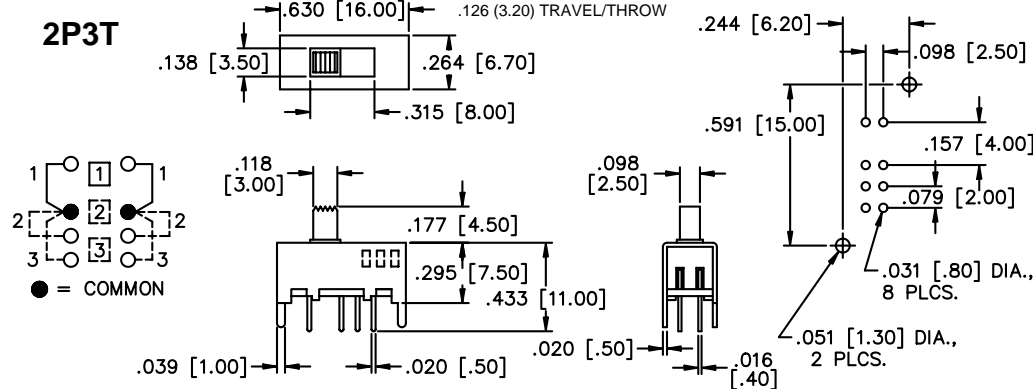

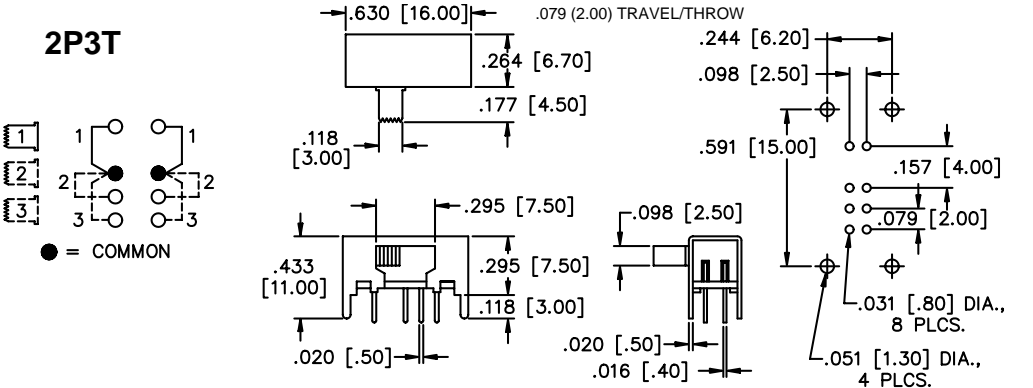
SPECIFICATIONS SUBJECT TO CHANGE WITHOUT NOTICE

| | |
|---|---|
| <p>MODEL NO. SLB1570R</p>  <p>RIGHT ANGLE ACTUATOR</p> | <p>1P5T</p>  <p>● = COMMON</p>  <p>SCHEMATIC MECHANICAL OUTLINE P.C. BOARD LAYOUT</p> |
| <p>MODEL NO. SLB22804</p>  <p>VERTICAL ACTUATOR</p> | <p>2P2T</p>  <p>● = COMMON</p>  <p>SCHEMATIC MECHANICAL OUTLINE P.C. BOARD LAYOUT</p> |
| <p>MODEL NO. SLB224145</p>  <p>VERTICAL ACTUATOR</p> | <p>2P2T</p>  <p>● = COMMON</p>  <p>SCHEMATIC MECHANICAL OUTLINE P.C. BOARD LAYOUT</p> |
| <p>MODEL NO. SLB2240R45</p>  <p>RIGHT ANGLE ACTUATOR</p> | <p>2P2T</p>  <p>● = COMMON</p>  <p>SCHEMATIC MECHANICAL OUTLINE P.C. BOARD LAYOUT</p> |

SLB Series

(with thru-p.c. board hole mounting bracket)
Miniature Slide Switches

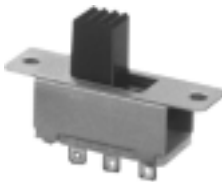
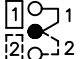
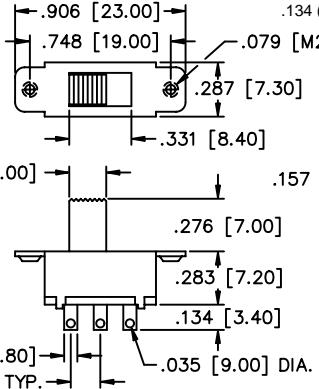
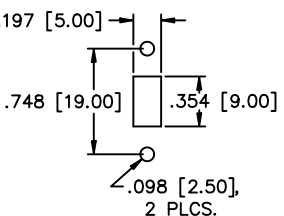

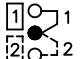
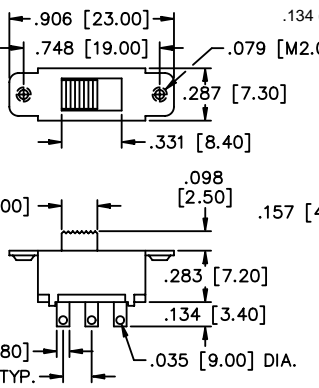
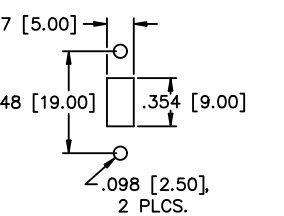
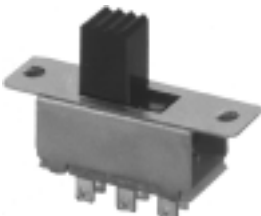

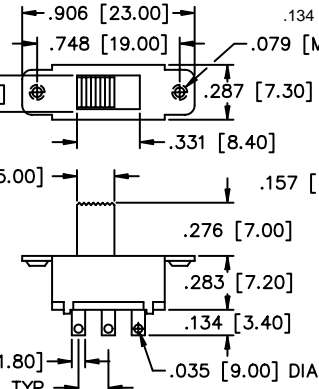
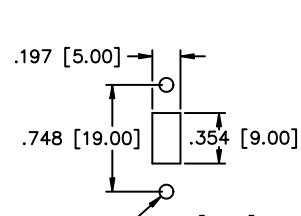
SPECIFICATIONS SUBJECT TO CHANGE WITHOUT NOTICE

| | |
|--|--|
| <p>MODEL NO. SLB2280R5</p>  <p>RIGHT ANGLE ACTUATOR</p> | <p>2P2T .126 (3.20) TRAVEL/THROW</p>  <p>SCHMATIC MECHANICAL OUTLINE P.C. BOARD LAYOUT</p> |
| <p>MODEL NO. SLB23804</p>  <p>VERTICAL ACTUATOR</p> | <p>2P3T .126 (3.20) TRAVEL/THROW</p>  <p>SCHMATIC MECHANICAL OUTLINE P.C. BOARD LAYOUT</p> |
| <p>MODEL NO. SLB234145</p>  <p>VERTICAL ACTUATOR</p> | <p>2P3T .126 (3.20) TRAVEL/THROW</p>  <p>SCHMATIC MECHANICAL OUTLINE P.C. BOARD LAYOUT</p> |
| <p>MODEL NO. SLB2340R45</p>  <p>RIGHT ANGLE ACTUATOR</p> | <p>2P3T .079 (2.00) TRAVEL/THROW</p>  <p>SCHMATIC MECHANICAL OUTLINE P.C. BOARD LAYOUT</p> |

SLC Series

Miniature Slide Switches

| SPECIFICATIONS | FEATURES |
|---|--|
| <p>Contact ratings: 300 mA at 125 VAC or 30 VDC</p> <p>Initial contact resistance: 20 milliohms max.</p> <p>Insulation resistance: 100 megohms min. at 500 VDC</p> <p>Dielectric strength: 500 volts RMS for 1 minute</p> <p>Electrical life: 10,000 cycles min.</p> <p>Operating temperature range: -20°C to +85°C</p> <p>Actuation force: 220g ± 100g</p> <p>Solder heat resistance: 260°C max. for 3 seconds</p> <p>Solvent washing permissible</p> | <ul style="list-style-type: none"> ● Panel mounting with solder lug terminals. ● Wash-through open frame construction. ● Positive spring loaded ball detent mechanism. |
| MATERIALS | |
| <p>Contacts & terminals: Silver plated</p> <p>Frame: Zinc plated steel</p> <p>Actuator: Thermoplastic</p> <p>Base: Phenolic laminated sheet</p> | |

| | | |
|------------------|-------------|--|
| MODEL NO. | | |
| SLC12007 | 1P2T |  <div style="display: flex; justify-content: space-around; align-items: flex-start;"> <div style="text-align: center;">  <p>● = COMMON</p> <p>SCHEMATIC</p> </div> <div style="text-align: center;">  <p>MECHANICAL OUTLINE</p> </div> <div style="text-align: center;">  <p>PANEL CUTOUT</p> </div> </div> <p style="font-size: small; margin-top: 10px;"> .906 [23.00] .134 (3.40) TRAVEL/THROW .748 [19.00] .079 [M2.00] TAP, 2 PLCS. .287 [7.30] .331 [8.40] .197 [5.00] .157 [4.00] .276 [7.00] .283 [7.20] .134 [3.40] .071 [1.80] .035 [9.00] DIA. .157 [4.00] TYP. </p> |
| MODEL NO. | 1P2T |  <div style="display: flex; justify-content: space-around; align-items: flex-start;"> <div style="text-align: center;">  <p>● = COMMON</p> <p>SCHEMATIC</p> </div> <div style="text-align: center;">  <p>MECHANICAL OUTLINE</p> </div> <div style="text-align: center;">  <p>PANEL CUTOUT</p> </div> </div> <p style="font-size: small; margin-top: 10px;"> .906 [23.00] .134 (3.40) TRAVEL/THROW .748 [19.00] .079 [M2.00] TAP, 2 PLCS. .287 [7.30] .331 [8.40] .197 [5.00] .157 [4.00] .098 [2.50] .283 [7.20] .134 [3.40] .071 [1.80] .035 [9.00] DIA. .157 [4.00] TYP. </p> |
| MODEL NO. | 2P2T |  <div style="display: flex; justify-content: space-around; align-items: flex-start;"> <div style="text-align: center;">  <p>● = COMMON</p> <p>SCHEMATIC</p> </div> <div style="text-align: center;">  <p>MECHANICAL OUTLINE</p> </div> <div style="text-align: center;">  <p>PANEL CUTOUT</p> </div> </div> <p style="font-size: small; margin-top: 10px;"> .906 [23.00] .134 (3.40) TRAVEL/THROW .748 [19.00] .079 [M2.00] TAP, 2 PLCS. .287 [7.30] .331 [8.40] .165 [4.20] .197 [5.00] .157 [4.00] .276 [7.00] .283 [7.20] .134 [3.40] .071 [1.80] .035 [9.00] DIA. .157 [4.00] TYP. </p> |


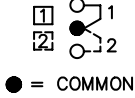
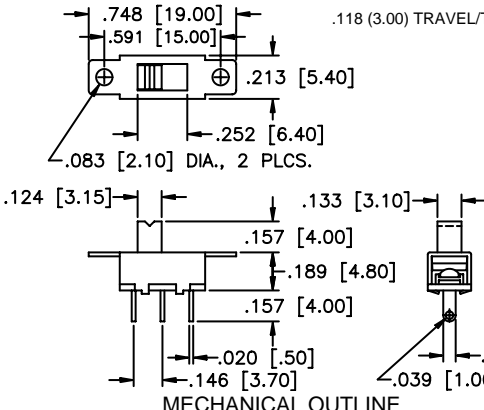
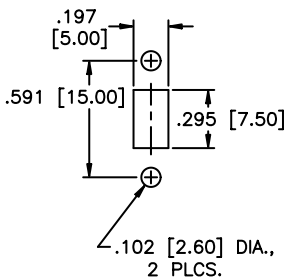

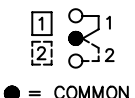
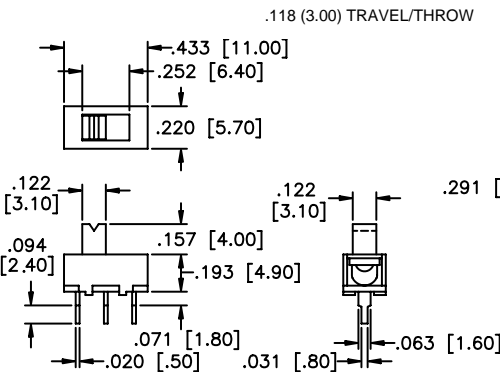
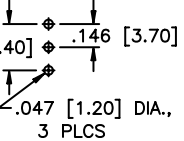
SPECIFICATIONS SUBJECT TO CHANGE WITHOUT NOTICE

SLG Series

Miniature Slide Switches

SPECIFICATIONS SUBJECT TO CHANGE WITHOUT NOTICE


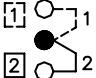
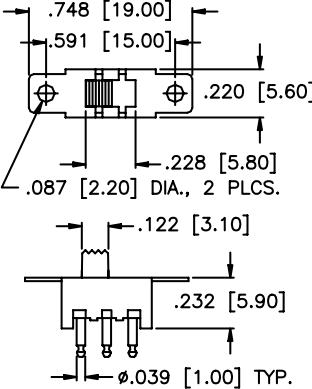
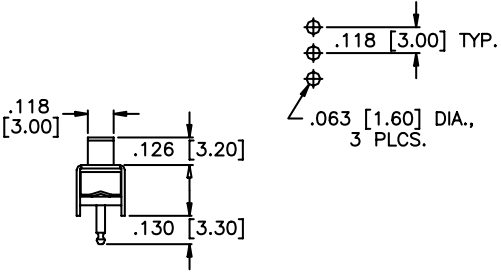

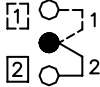
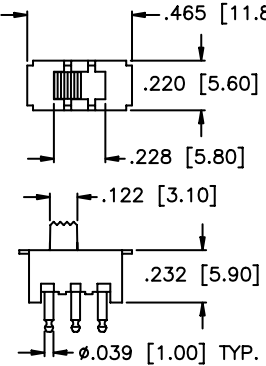
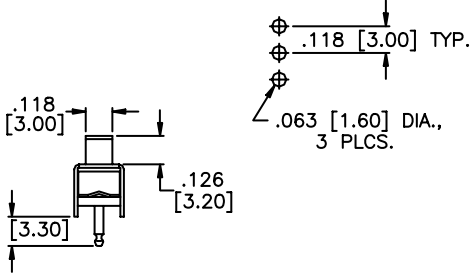

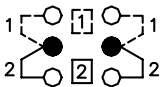
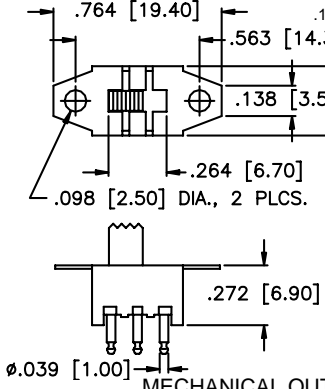
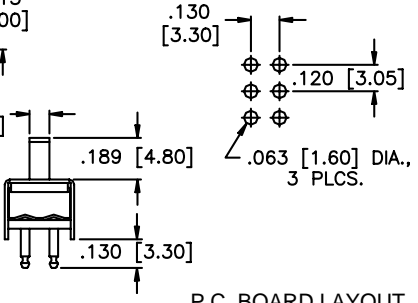
| SPECIFICATIONS | FEATURES |
|--|--|
| <p>Contact ratings: 300 mA at 125 VAC or 30 VDC Initial contact resistance: 20 milliohms max. Insulation resistance: 100 megohms min. at 500 VDC Dielectric strength: 500 volts RMS for 1 minute Electrical life: 10,000 cycles min. Operating temperature range: -20°C to +85°C Actuation force: 200g ± 75g Solder heat resistance: 260°C max. for 3 seconds Solvent washing permissible</p> | <ul style="list-style-type: none"> Wash-through open frame construction. Panel and p.c. mounting models. Positive spring loaded ball detent mechanism. |
| MATERIALS | |
| <p>Contacts & terminals: Silver plated Frame: Zinc plated steel Actuator: Thermoplastic Base: Phenolic laminated sheet</p> | |

| | | |
|-------------------------------------|-------------|---|
| MODEL NO. SLG12004 | 1P2T |  <div style="margin-top: 10px;">  <p>● = COMMON</p> </div> <div style="display: flex; justify-content: space-around; align-items: flex-start;"> <div style="text-align: center;">  <p>MECHANICAL OUTLINE</p> </div> <div style="text-align: center;">  <p>PANEL CUTOUT</p> </div> </div> |
| MODEL NO. SLG12014 | 1P2T |  <p style="text-align: center;">VERTICAL MOUNTING</p> <div style="margin-top: 10px;">  <p>● = COMMON</p> </div> <div style="display: flex; justify-content: space-around; align-items: flex-start;"> <div style="text-align: center;">  <p>MECHANICAL OUTLINE</p> </div> <div style="text-align: center;">  <p>P.C. BOARD LAYOUT</p> </div> </div> |

SLA Series


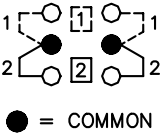
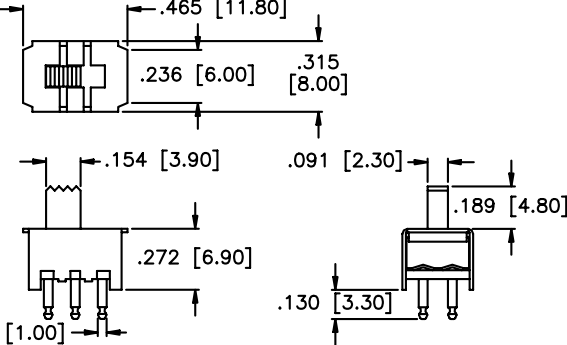
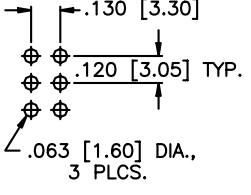
Miniature Slide Switches

| SPECIFICATIONS | FEATURES |
|---|--|
| <p>Contact ratings: 500 mA at 125 VAC</p> <p>Initial contact resistance: 20 milliohms max.</p> <p>Insulation resistance: 100 megohms min. at 500 VDC</p> <p>Dielectric strength: 500 volts RMS for 1 minute</p> <p>Electrical life: 10,000 cycles min.</p> <p>Operating temperature range: -20°C to +85°C</p> <p>Actuation force: 350g ± 200g</p> <p>Solder heat resistance: 260°C max. for 3 seconds</p> <p>Solvent washing permissible</p> | <ul style="list-style-type: none"> ● Miniature compact size. ● Wash-through open frame construction. ● Panel and p.c. mounting models. |
| | MATERIALS |
| | <p>Contacts & terminals: Silver plated brass</p> <p>Frame: Zinc plated steel</p> <p>Actuator: PBT Thermoplastic</p> <p>Base: Phenolic laminated sheet</p> |

| | | | |
|---|--|--|--|
| MODEL NO. | | | |
| SLA1200 | | | |
|  | <p>1P2T</p>  <p>● = COMMON</p> |  <p>MECHANICAL OUTLINE</p> |  <p>P.C. BOARD LAYOUT</p> |
| MODEL NO. | | | |
| SLA1201 | | | |
|  | <p>1P2T</p>  <p>● = COMMON</p> |  <p>MECHANICAL OUTLINE</p> |  <p>P.C. BOARD LAYOUT</p> |
| MODEL NO. | | | |
| SLA2200 | | | |
|  | <p>2P2T</p>  <p>● = COMMON</p> |  <p>MECHANICAL OUTLINE</p> |  <p>P.C. BOARD LAYOUT</p> |

SPECIFICATIONS SUBJECT TO CHANGE WITHOUT NOTICE

SPECIFICATIONS SUBJECT TO CHANGE WITHOUT NOTICE

| | | | |
|---|---|--|---|
| MODEL NO. | 2P2T | | |
| SLA2201 | | | |
|  |  <p>● = COMMON</p> |  |  |
| | SCHEMATIC | MECHANICAL OUTLINE | P.C. BOARD LAYOUT |

