



The TS Series Thumbstick is a proportional two axes joystick in a miniature package. Featuring non-contacting Hall effect technology for long life performance, the TS Series Thumbstick is available with multiple linear output options including single and dual (redundant) outputs. It is similar in size and operation to "gamepad" controls, but in a rugged industrial package. Typical applications include pendant and remote controls as well as joystick handle and arm rest integration.



KEY FEATURES





- 1 or 2 axes
- USB outputs available
- Non-contact Hall effect technology
- Submersible to 1m (3.28ft) per IP68
- Pressure washable to IP69K
- Redundant outputs available
- Rear or drop-in mounting available



TS series

Proportional Hall effect thumbsticks

OPTION SELECTION

TS						
SERIES	HANDLE	TERMINATION¹	MOUNTING HARDWARE	LIMITER	OUTPUT OPTIONS	POWER SUPPLY OPTIONS
	0 None 1 Castle 2 Winged Hat 3 Conical 4 Finger Tip A All Handles	1 22AWG 25cm PTFE 2 28AWG 25cm PTFE 3 Customer specified	N None D Drop-in R Rear mount A All hardware	U Single axis  S Square  G Guided feel  P Plus 	00 0V to 5V (Rail to Rail) 01 0.25V to 4.75V 02 0.5V to 4.5V 03 1V to 4V 04 0V to 5V - Sensor 1 0V to 5V - Sensor 2 05 0.25V to 4.75V - Sensor 1 0.25V to 4.75V - Sensor 2 06 0.5V to 4.5V - Sensor 1 0.5V to 4.5V - Sensor 2 07 1V to 4V - Sensor 1 1V to 4V - Sensor 2 08 0V to 5V - Sensor 1 5V to 0V - Sensor 2 09 0.5V to 4.5V - Sensor 1 4.5V to 0.5V - Sensor 2 10 0.25V to 4.75V - Sensor 1 4.75V to 0.25V - Sensor 2 11 1V to 4V - Sensor 1 4V to 1V - Sensor 2 12 Customer specified 13 PWM ² 14 USB 15 Joyball (Cursor emulation)	A Single B Independent ³

SPECIFICATIONS

MECHANICAL (FOR X, Y AXES)		
Operating Force	-	3.1N±0.5N (0.70lbf±0.11lbf) ⁴
Maximum Vertical Load	-	200N (45lbf) ⁴
Maximum Horizontal Load	-	150N (33.7lbf) ⁴
Mechanical Angle of Movement	-	50°
Expected Life	-	1 million cycles
Mass/weight	-	18.25g ± 5.0g (0.64oz±0.18oz)
Lever Action (Centering)	-	Spring centering

ENVIRONMENTAL		
Operating Temperature	-	-40°C to +85°C (-40°F to +185°F)
Storage Temperature	-	-40°C to +85°C (-40°F to +185°F)
Sealing	-	IP68, IP69K ⁵
EMC Immunity Level	-	EN61000-4-3
EMC Emissions Level	-	EN61000-6-3:2001
ESD	-	EN61000-4-2

ELECTRICAL SENSOR		
Resolution	-	1.22mV
Supply Voltage Range	-	5.00V±0.01V
Reverse Polarity Max	-	-10V
Overvoltage Max	-	20V
Output Impedance	-	2Ω
Return to Center Voltage Tolerance	-	±200mV initial

NOTES:



Mounting accessories.

Standard hardware includes:

- For the Drop-in option - 4 push in connectors, drop-in bezel and an O-ring.

- For the Rear mount option: 4x1/2 FH SS Phil Screws and a rear mount bezel.

1-1 - Wires are thick, robust, and best suited for stand alone applications.

1-2 - Wires are thin and best suited for tightly constrained wire routing.

2 Contact factory for PWM configuration.

3 Only available on dual output.

4 Force applied to the top of the castle cap.

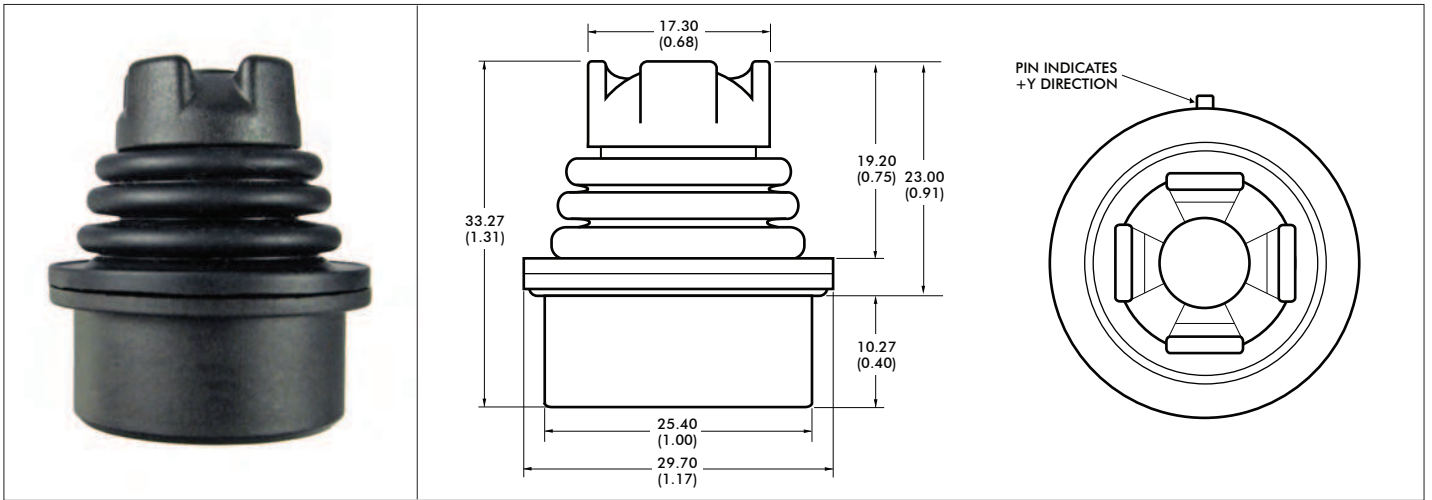
5 All options are IP68 and IP69K rated, however Drop-in mounting does not prevent panel ingress.

- All values are nominal

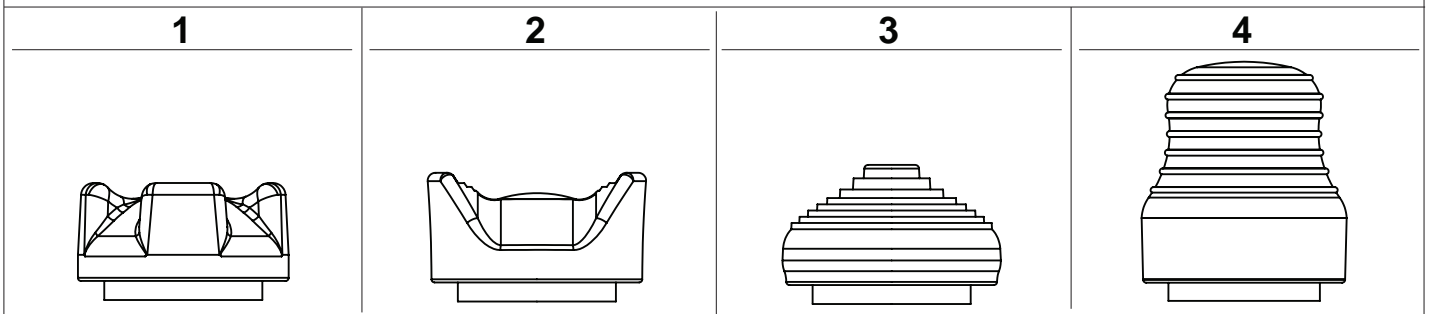
TS series

Proportional Hall effect thumbsticks

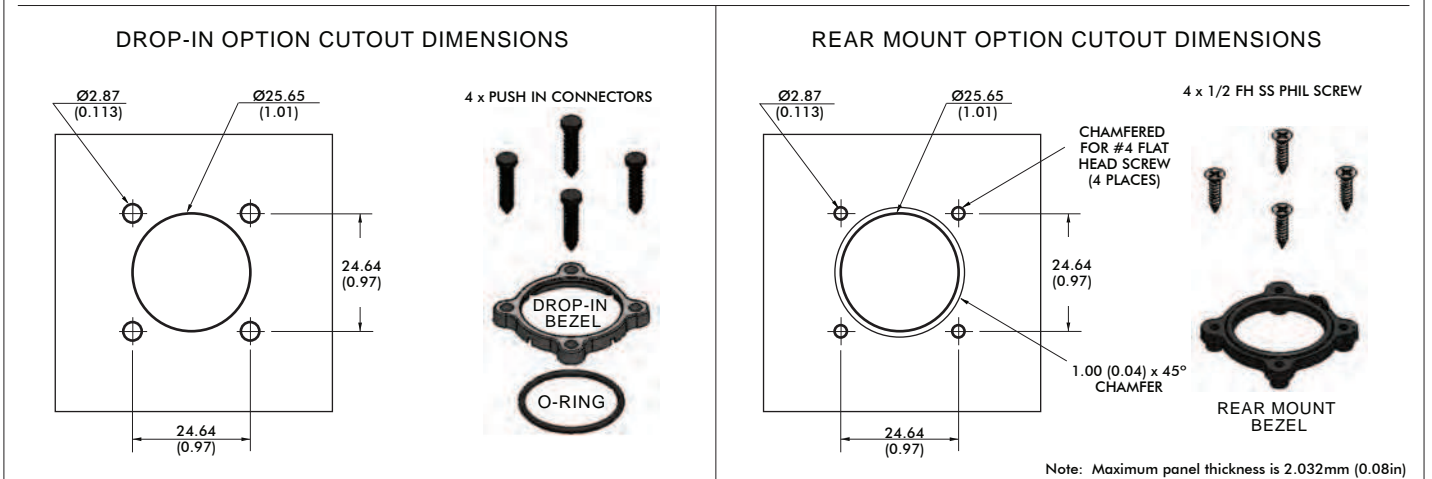
DIMENSIONAL DRAWINGS



HANDLE OPTIONS



MOUNTING OPTIONS



Note: Dimensions are in mm/(inch)



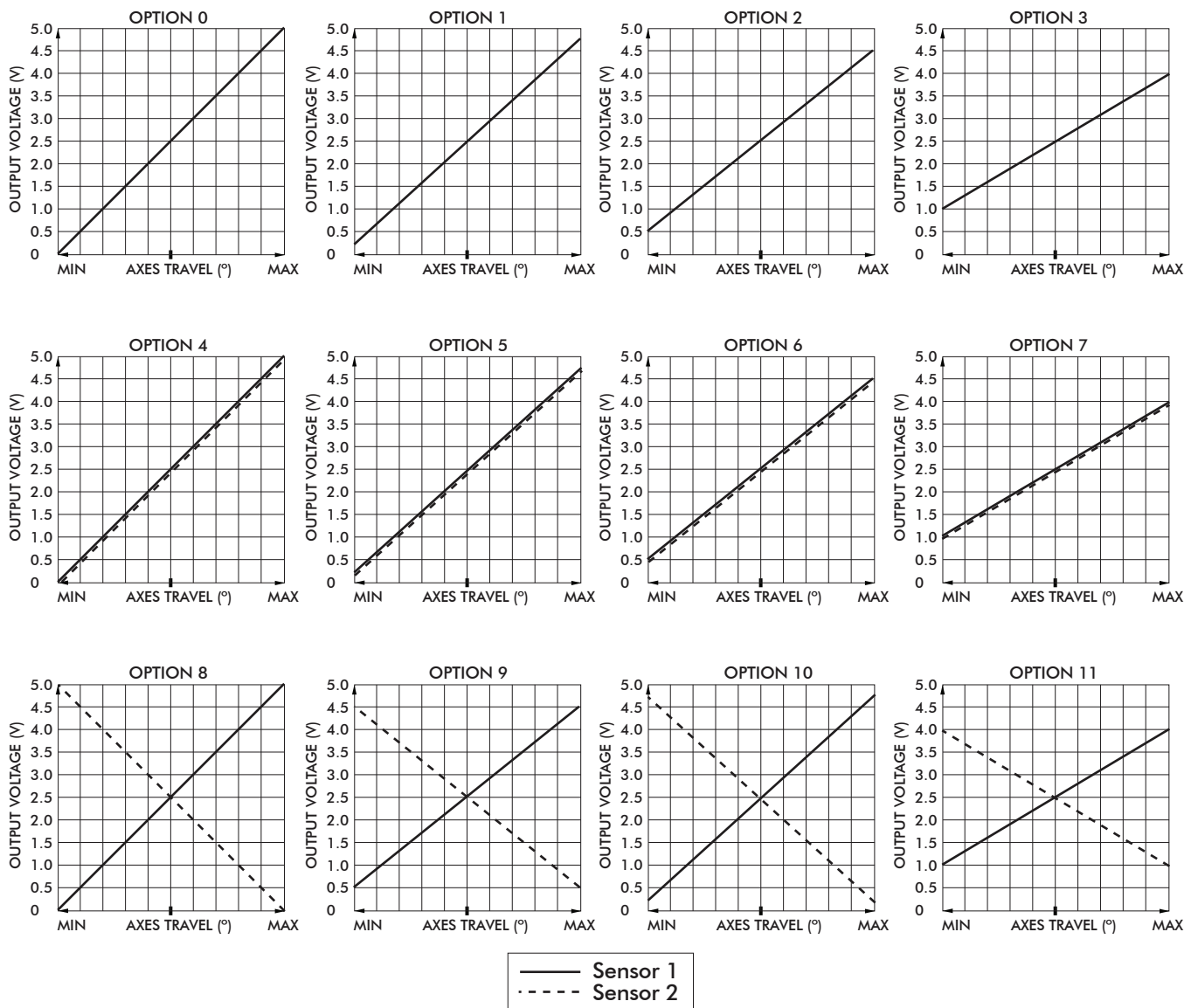
Note: The company reserves the right to change specifications without notice.

TS series

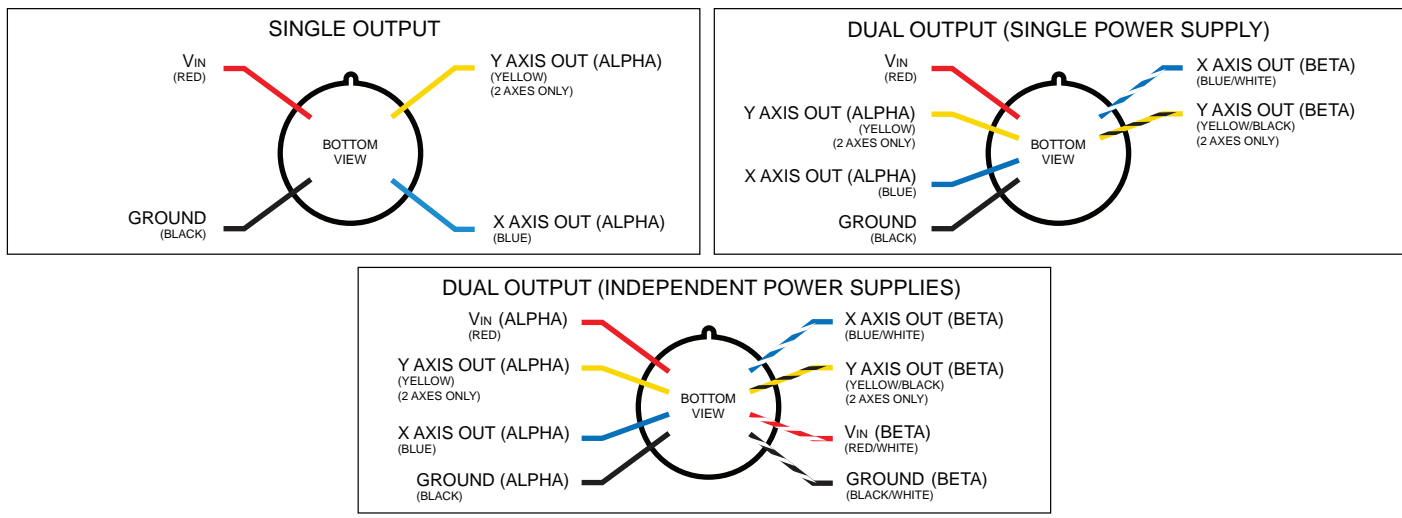
Proportional Hall effect thumbsticks

CONFIGURATION OPTIONS

LINEAR OUTPUT OPTIONS



WIRING



Note: The company reserves the right to change specifications without notice.

TS series

Proportional Hall effect thumbsticks

CONFIGURATION OPTIONS - continued

ADDITIONAL OUTPUT OPTIONS

PLUG-AND-PLAY SOLUTIONS:

USB

Featuring USB 1.1 HID compliant interface, CH Products' USB joysticks are recognized as standard HID "game controller" devices. Adhering to the HID specification, CH Products' USB joysticks are plug-and-play with most versions of Windows and Linux. Joystick button and axes assignments are dependent upon the controlled application.

FEATURES

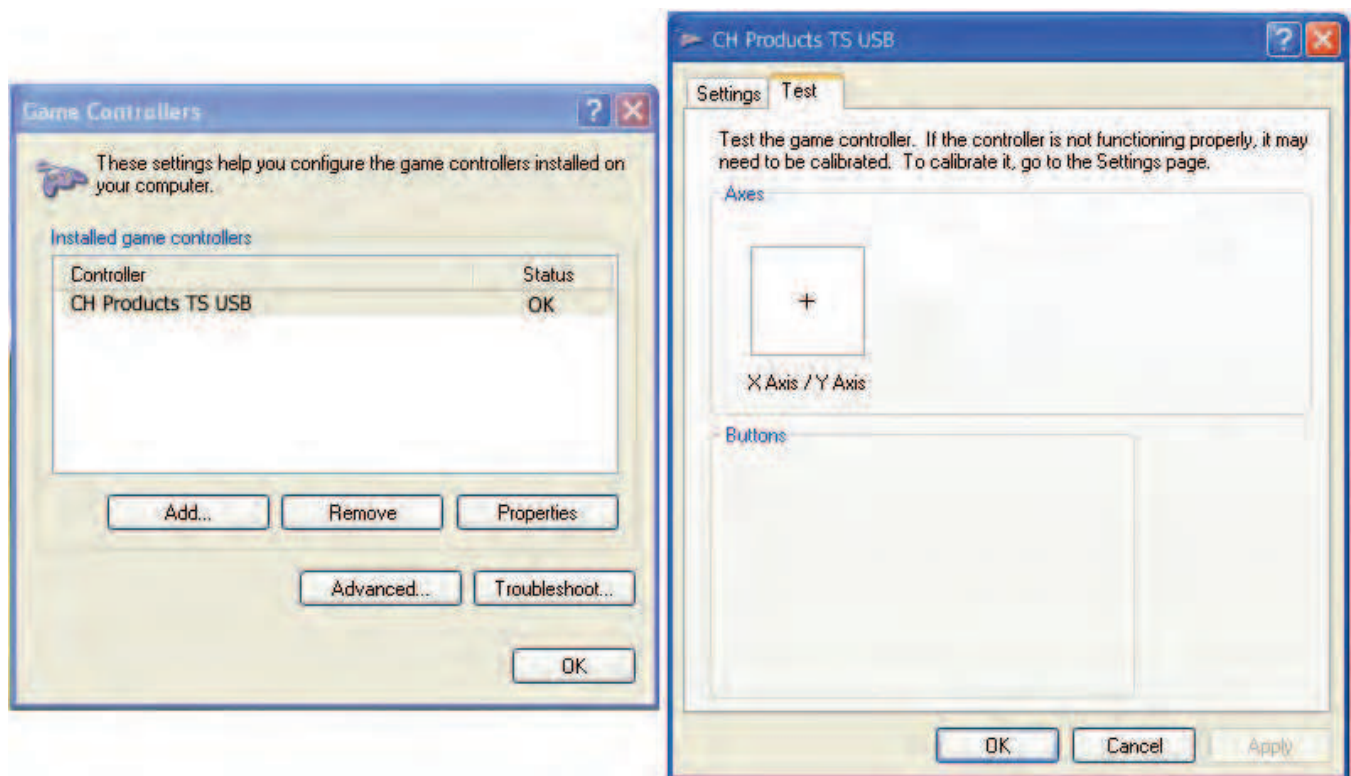
- USB 1.1 HID compliant "game controller" device
- Easy to install and operate
- Functions determined by controlled application

SUPPLIED WIRING

USB: USB Male Type A Connector with overmolded cable
(Optional ruggedized military connectors are available.)



USB Male Type A Connector



TS series

Proportional Hall effect thumbsticks

CONFIGURATION OPTIONS

ADDITIONAL OUTPUT OPTIONS

JOYBALL (CURSOR EMULATION)

The Joyball option converts multi-axis joystick output into a mouse, trackball, or cursor control device. The joystick's internal microprocessor converts absolute axis position into a cursor velocity, which is translated as a relative trackball or mouse position. Supported protocols: USB.

APPLICATIONS

The Joyball option is ideal for vehicle applications subjected to dirt and high vibration which make operating a traditional cursor control device difficult. The Joyball option is widely used in shipboard and military applications.

FEATURES

- HID compliant "pointing device"
- Plug-and-play with USB option
- Ideal for marine GPS and navigation

SUPPLIED WIRING

USB: USB Male Type A Connector with overmolded cable.

