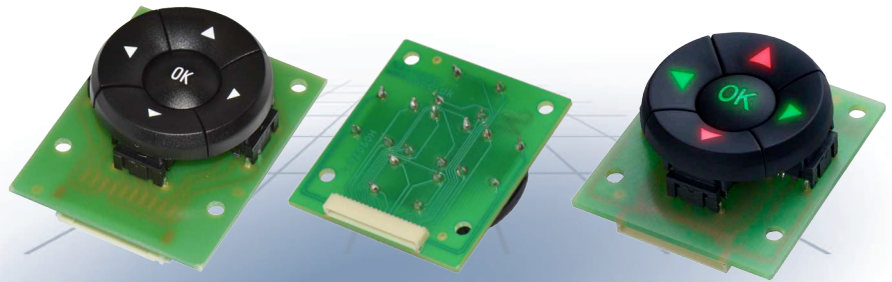


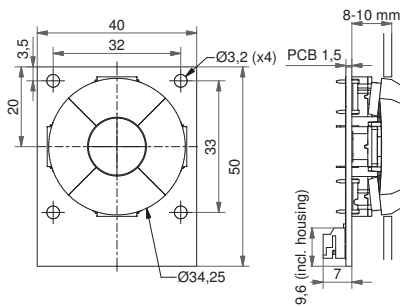
## Navimec Module standard and illuminated

### Technical Data:

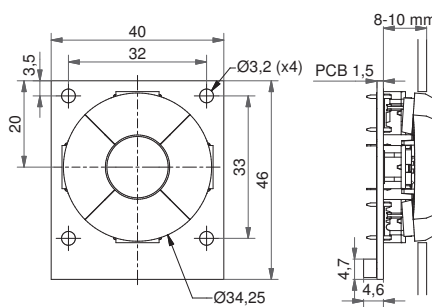
- module should be attached to the front plate with bolts (bolts not supplied by MEC)
- 50mA/24VDC
- single pole/momentary
- 10.000.000 operations lifetime
- switches sealed to IP67
- temperature range:  
switch body: -40/+160°C  
LED: -30/+85°C
- actuation force: 2.0, 3.5, 6.5 N



### Dimensions Standard Navimec module



### Dimensions illuminated Navimec module

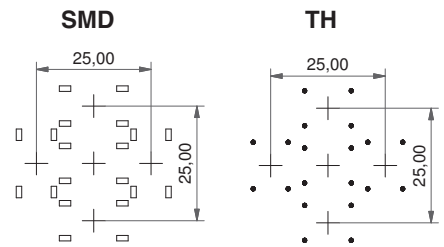


\*When the 1ZB is activated the diameter changes from 34,25mm to 35,0mm

### Recommended panel cut-out:

ø = 35,0 - 35,5 Depending on application

### PCB layout for Navimec solution



### HOW TO ORDER

#### Navimec Module ordering options:

- Navimec Module excl. keycaps
- Navimec Module incl. keycaps
- Navimec Module incl. keycaps with legends
- illuminated Navimec Module excl. keycaps
- illuminated Navimec Module incl. keycaps with legends

Part no. 9810120 - PCB and connector for Navimec Module

Part no. 9810125 - PCB and connector for illuminated Navimec Module

Part no. for switches and caps:

Navimec Module has many customisation options regarding actuation force, cap and LED colours and legends. Because of that ordering is based on part numbers of separate parts instead of one specific part number. MEC has the switches mounted on the module before delivery, which is included in the module price.

See the other side for information on switch and cap options as well as the examples below.

#### For example:

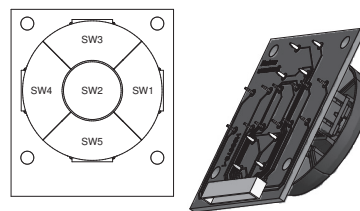
9810120 + 4x 5GTH920 + 1x 5GTH920 (without caps)

9810120 + 4x 5GTH965+1ZB42 + 1x 5GTH965+1ZCS42 (with caps)

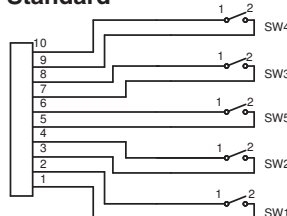
9810125 + 4x 5GTH93501+1ZB16LM136 + 1x 5GTH93501

+1ZCS16LM118 (painted caps with laser engraved legends)

### Circuit diagram Navimec module



#### Standard

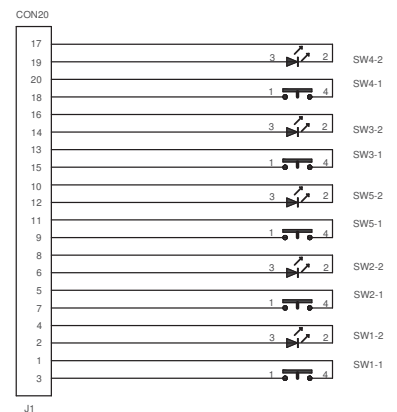


The connector on the standard Navimec module is JST SMT S108-PH-SM3-TB or similar. We recommend using:

Cable socket: JST PHR-10 or similar

Contact: JST SPH-002T-P0.5S or similar

### illuminated



The connector on the illuminated Navimec module is C11120M1H or similar.

We recommend using:

Cable socket: Cvilux C11120S0000 or similar

Contact: Cvilux C111T011PP0 or similar

Distributor:

