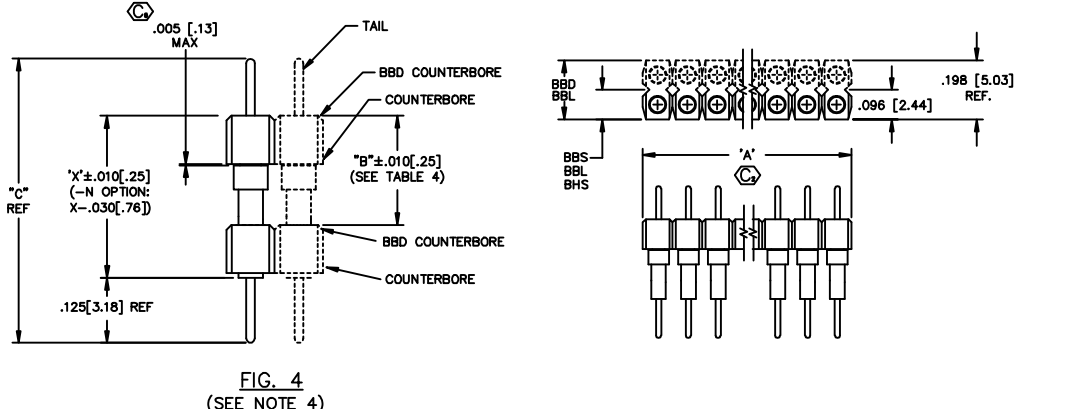
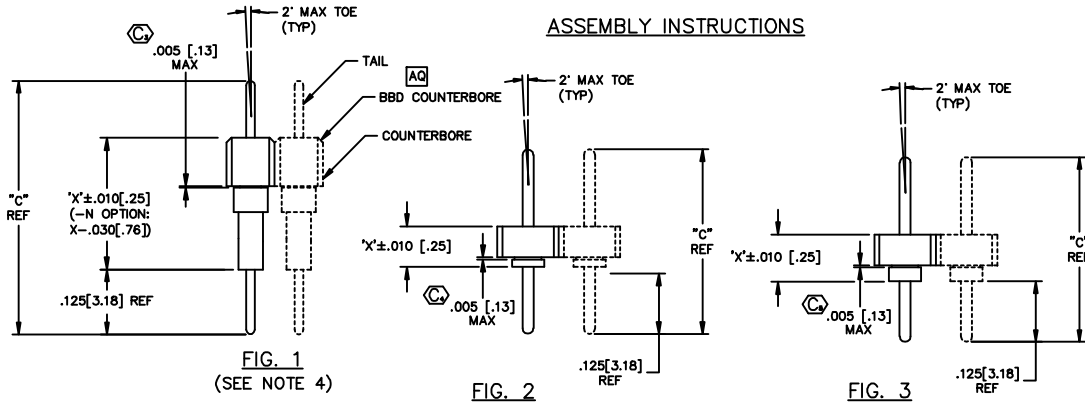


UNLESS OTHERWISE NOTED TOLERANCES ARE:  
 DIMENSIONS ARE IN INCHES  
 ONE PLACE DECIMALS: ± .1 [3] THREE PLACE DECIMALS: ± .005 [.13]  
 TWO PLACE DECIMALS: ± .01 [.3] FOUR PLACE DECIMALS: ± .0020 [.051]

TITLE: ASSEMBLY BOARD TO BOARD SPACING  
 DWG NO: BXX-1XX-X-X-X  
 SHEET 1 OF 1

ASSEMBLY INSTRUCTIONS



**BXX-1XX-X-X-X**

OPTION  
 -N=NON-FLUSH-LEAVE BLANK FOR STANDARD (USE BODY SPECIFIED IN TABLE 1) (SEE TABLE 4)  
 -G=Specify -G in terminal suffix -X (SEE TABLE 2)  
 -T=Specify -T in terminal suffix -X (SEE NOTE 5)

TERMINAL SPECIFICATION (SEE TABLE 2)  
 -G=Specify -G in terminal suffix -X  
 -T=Specify -T in terminal suffix -X (SEE NOTE 5)

PLATING SPECIFICATION (SEE TABLE 2)  
 -G=Specify -G in terminal suffix -X  
 -T=Specify -T in terminal suffix -X (SEE NOTE 5)

BODY SPECIFICATION (SEE TABLE 1)  
 BODY STYLE  
 BBS: SINGLE  
 BBD: DOUBLE  
 BBL: SINGLE, LOW PROFILE  
 BDL: DOUBLE, LOW PROFILE  
 BHS: SINGLE, HI-TEMP

BODY LENGTH SPECIFICATION (SEE TABLE 2)  
 'A' = (No. OF POSITIONS X 100 ± .015)  
 'A' = BBS: XX-MAX 32 POSITION  
 'A' = BBL: XX-MAX 32 POSITION  
 'A' = BHS: XX-MAX 36 POSITION (MUST BE CUT ON MULTI-CUTTER)  
 'A' = BDL: XX-MAX 36 POSITION  
 'A' = BDL: XX-MAX 36 POSITION

- NOTES:  
 1.) MIN. PUSHOUT FORCE: 5 lbs FOR ALL EXCEPT BBL, FOR BBL: 2 lbs. MIN.  
 2.) MAX ALLOWABLE BOW:  
 FOR STRIPS MOLDED IN VALOX=.009 IN/IN  
 FOR STRIPS MOLDED IN ULTEM=.003 IN/IN  
 (FOR BHS ONLY: .004 IN/IN TOP TO BOTTOM, .008 IN/IN SIDE TO SIDE)  
 (FOR BBL ONLY: .055 MAX.)  
 3.) ⊙ REPRESENTS A CRITICAL DIMENSION.  
 4.) ON BBD STYLE FILL WITH COUNTERBORE TOWARD TAILS, ALL OTHER STYLES FILL COUNTERBORE AWAY FROM TAILS.

TABLE 4

TERMINAL SPEC.	"B"
-G	.320 [8.13]
-G-N	.290 [7.37]
-N	.410 [10.41]

TABLE 1

BODY SPECIFICATION		
BODY STYLE	BODY	
	STANDARD	-N OPTION
BBS-	TBS-32	SSB-XX
BBD-	DSB-36	DSB-XX
BBL-	SSL-XX	N/A
BDL-	HSDL-XX	N/A
BHS-G(PLATING)	HTS-36-G	SSB-XX-U

TABLE 3 (4 POSITION MIN)

BODY	LEAD STYLE	PACKAGING TUBE	PLUG
BHS	A	PT-1-24-01-24	TP-24
	B	PT-1-24-02-03	TP-24
	D,H	PT-1-24-02-04	TP-07
	C,G	PT-1-24-10-03	TP-03
BBS	A	PT-1-24-01-24	TP-24
	B	PT-1-24-02-03	TP-24
	D,H	PT-1-24-02-04	TP-07
	C,G	PT-1-24-10-03	TP-03
BBD	A	PT-1-24-01-22	TP-03
	B	PT-1-24-06-03	TP-07
	D,H	PT-1-24-08-03	TP-09
	C,G	PT-1-24-01-74	TP-07
BBL	ALL	PT-1-24-01-23	TP-12
	ALL	PT-1-24-01-14	TP-03

PACKAGING

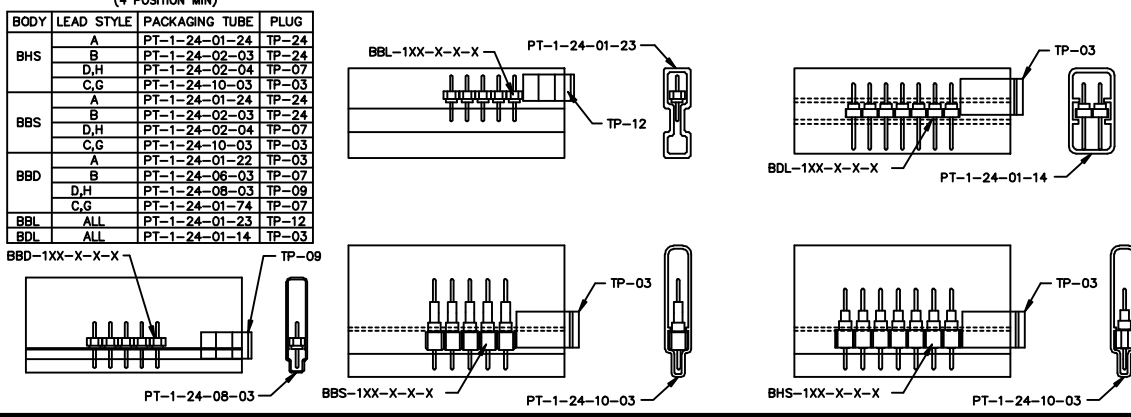


TABLE 2

LEAD STYLE	BODY SPEC.		FIG.	BODY SPEC.		FIG.	"C"
	BBS,BBD,BHS	"X"		BBL,BDL	"X"		
A	T-1R14-1-X	.210 [5.35]	1	.460 [11.68]	N/A		
B	T-1R14-2-X	.335 [8.51]	1	.585 [14.86]	N/A		
C	T-1R14-3-X	.585 [14.86]	1	.835 [21.21]	N/A		
D	T-1R14-4-X	.835 [21.21]	1	1.085 [27.56]	N/A		
E	N/A				T-1R6-X	070	2 .300 [7.62]
F	N/A				T-2R6-X	085	3 .332 [8.43]
* G	T-1R14-5-X	.585 [14.86]	4	.835 [21.21]	N/A		

\* = SEE NOTE 5

PROPRIETARY NOTE  
 THIS DOCUMENT CONTAINS INFORMATION CONFIDENTIAL AND PROPRIETARY TO SAMTEC INC. AND SHALL NOT BE REPRODUCED OR TRANSMITTED IN ANY FORM OR BY ANY MEANS, ELECTRONIC OR MECHANICAL, INCLUDING PHOTOCOPYING, RECORDING, OR BY ANY INFORMATION STORAGE AND RETRIEVAL SYSTEM, WITHOUT THE EXPRESS WRITTEN CONSENT OF SAMTEC INC.

MATERIAL: GLASS FILLED POLYESTER  
 COLOR: BLACK

TERMINAL: PHOSPHOR BRONZE OR BRASS

520 PARK EAST BLVD. NEW ALBANY, INDIANA 47150  
 PHONE (812) 944-6733 P.O. BOX 1147  
 CODE 56322

MADE BY: TY 2-18-85  
 DESIGNED BY: L WILLIAMS 2-23-85

POWER APPROVAL

BXX-1XX-X-X-X  
 SHEET 1 OF 1