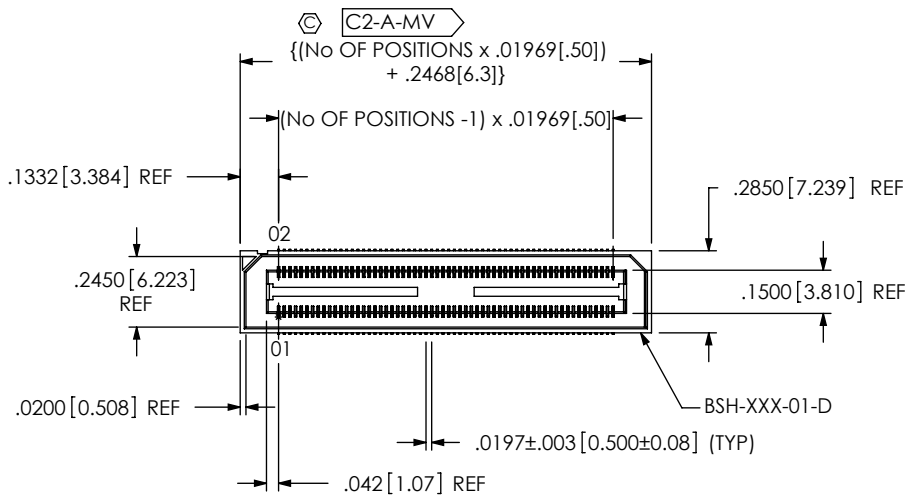


DO NOT SCALE FROM THIS PRINT

BSH-XXX-01-X-D-XX-XX



No OF POSITIONS
-030, -40, -050, -060, -090,
**-120, **-150, *-180
(PER ROW)
**= SEE NOTE 10

LEAD STYLE
-01: .1280 [3.25]

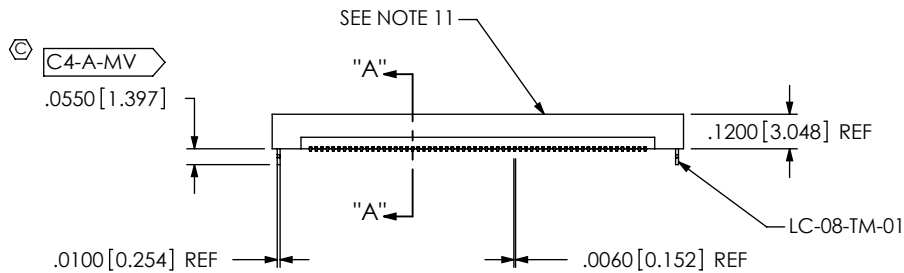
OPTION
-TR: TAPE & REEL
(120 POSITION MAX)

OPTION
-A: ALIGNMENT PINS
(USE BSH-XXX-01-D-A)
-LC: LOCKING CLIPS
(USE LC-08-TM-01) (SEE NOTE 13)

ROW SPECIFICATION
-D: DOUBLE (USE BSH-XXX-01-D)

PLATING SPECIFICATION
-F: 3μ" FLASH SELECTIVE GOLD IN CONTACT AREA,
MATTE TIN ON TAILS
(SEE NOTES 7, 9 & 12)
-L: 10μ" LIGHT SELECTIVE GOLD IN CONTACT AREA,
MATTE TIN ON TAILS
(SEE NOTE 9 & 12)
-H: 30μ" HEAVY GOLD IN CONTACT AREA, 3μ" ON TAILS
(SEE NOTE 9 & 12)
-C: 50μ" ELECTRO-POLISHED SELECTIVE IN CONTACT AREA,
MATTE TIN ON TAILS
(SEE NOTE 9 & 12)

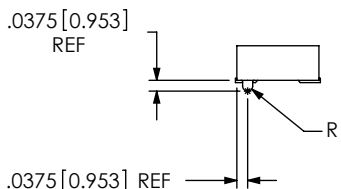
* = NOT RELEASED FOR PRODUCTION



-LC: LOCKING CLIP OPTION SHOWN

SEE NOTE 11

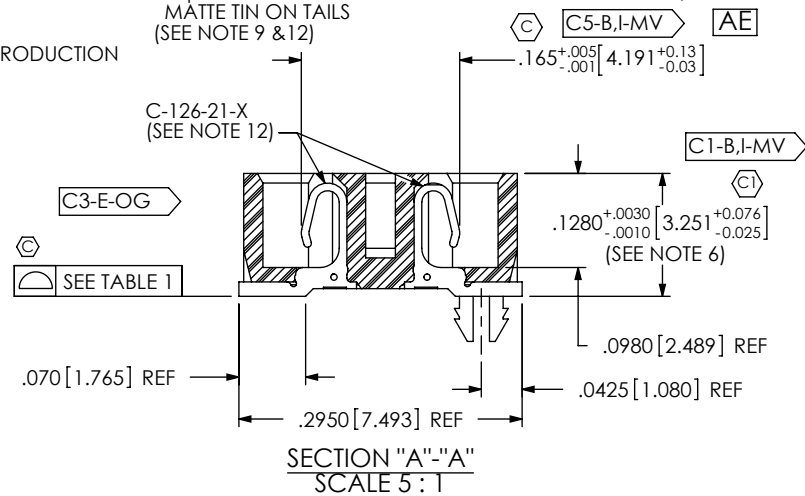
BSH-XXX-01-D-A



NOTES:

1. **CX-XX** REPRESENTS A CRITICAL DIMENSION.
2. NOTE DELETED.
3. BURR ALLOWANCE: .0015 [.038] MAX.
4. MINIMUM PUSHOUT FORCE: 6 OZ.
5. MAXIMUM ALLOWABLE BOW: .002 [.051] INCH/INCH AFTER ASSEMBLY.
6. MAX VARIANCE OF .002 [.051]
7. -L PLATING CAN BE SUBSTITUTED FOR -F PLATING.
8. ASP-65067-01 IS A BSH-050-01-L-D-A. WITH OR WITHOUT -TR.
9. MAY SUBSTITUTE C-126-01-X FOR C-126-21-X.
10. FOR NEWAPPLICATIONS REQUIRING THESE POSITIONS, PLEASE CONTACT SAMTEC INTERCONNECT PROCESSING GROUP.
11. SIDE WALLS MAY BE RIBBED TO AVOID BOW
12. -090, -120, -150 & *-180 POSITION PARTS USE C-269-11-X. DO NOT SUB C-126-XX-X.
13. DUE TO THE HIGH AMOUNT OF INSERTION FORCE NEEDED, THE -LC OPTION IS NOT COMPATIBLE WITH AUTO PLACEMENT. SAMTEC RECOMMENDS MANUAL PLACEMENT FOR ALL ASSEMBLIES WITH THE -LC OPTION.

-A: ALIGNMENT PIN OPTION SHOWN



SECTION "A"- "A"
SCALE 5 : 1

TABLE 1	
NO OF POSITIONS	COPLANARITY
-030 THRU -060	.004 [.10]
-090	.0055 [.14]
-120 THRU -180	.006 [.15]

CRITICAL DIMENSION INSPECTION INSTRUCTION TABLE	
ASSEMBLY OPERATION	IN-PROCESS INSPECTION INSPECT CODE B
FILL C-126-21-X	C1, C2, C5
ADD -LC OPTION	C4

UNLESS OTHERWISE SPECIFIED, DIMENSIONS ARE IN INCHES.
TOLERANCES ARE:
DECIMALS ANGLES
.XX: ±.01 [.25] 2°
.XXX: ±.005 [.13]
.XXXX: ±.0020 [.050]

PROPRIETARY NOTE
THIS DOCUMENT CONTAINS INFORMATION CONFIDENTIAL AND PROPRIETARY TO SAMTEC, INC. AND SHALL NOT BE REPRODUCED OR TRANSFERRED TO OTHER DOCUMENTS OR DISCLOSED TO OTHERS OR USED FOR ANY PURPOSE OTHER THAN THAT WHICH IT WAS OBTAINED WITHOUT THE EXPRESSED WRITTEN CONSENT OF SAMTEC, INC.



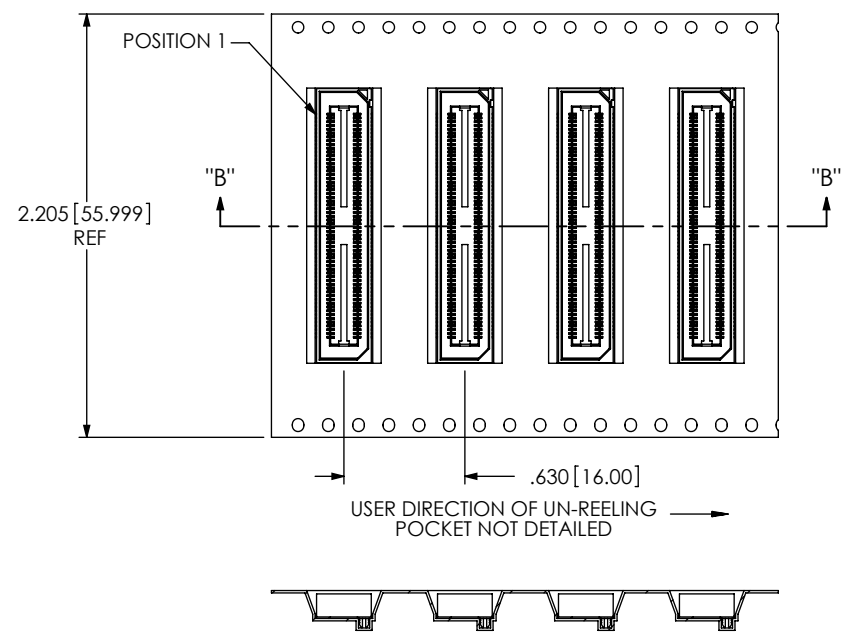
520 PARK EAST BLVD. NEW ALBANY, IN 47150
PHONE: 812-944-6733 FAX: 812-948-5047
e-Mail: info@SAMTEC.com code 55322

MATERIAL: DO NOT SCALE DRAWING SHEET SCALE: 1:0.6646
FLAMMABILITY RATING: UL 94V-O
INSULATOR: BLACK LCP
CONTACT: PHOS BRONZE

DESCRIPTION:
.75mm DOUBLE ROW SOCKET ASSEMBLY

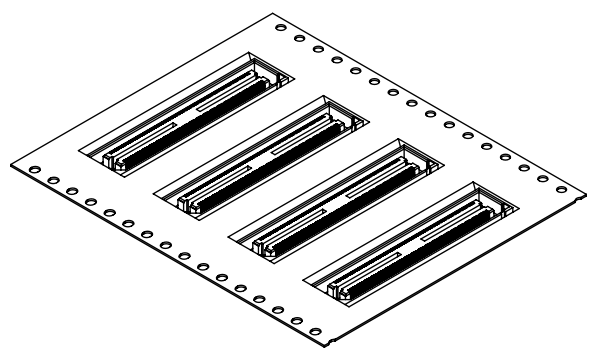
DWG. NO.
BSH-XXX-01-X-D-XX-XX

BY: DEAN P 06/08/1999 SHEET 1 OF 2

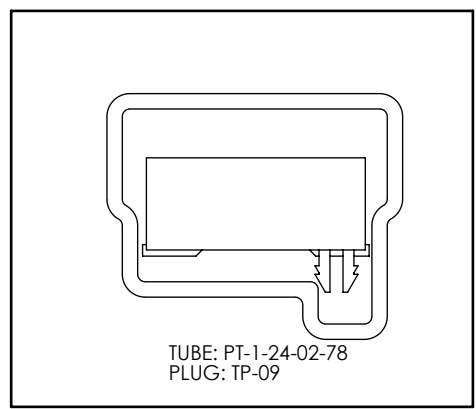


SECTION "B"- "B"
SCALE 1 : 1


TAPE AND REEL PACKAGING VIEW



TUBE PACKAGING VIEW
[PARTS TO HAVE POSITION #1 LOADED
IN SAME DIRECTION AS ARROW]



TUBE: PT-1-24-02-78
PLUG: TP-09

<p>PROPRIETARY NOTE THIS DOCUMENT CONTAINS INFORMATION CONFIDENTIAL AND PROPRIETARY TO SAMTEC, INC. AND SHALL NOT BE REPRODUCED OR TRANSFERRED TO OTHER DOCUMENTS OR DISCLOSED TO OTHERS OR USED FOR ANY PURPOSE OTHER THAN THAT WHICH IT WAS OBTAINED WITHOUT THE EXPRESSED WRITTEN CONSENT OF SAMTEC, INC.</p> <p>DO NOT SCALE DRAWING</p> <p>SHEET SCALE: 1.5:1</p>			
	<p>520 PARK EAST BLVD., NEW ALBANY, IN 47150 PHONE: 812-944-6733 FAX: 812-948-5047 e-Mail: info@SAMTEC.com code 55322</p>		
	<p>DESCRIPTION: .5mm DOUBLE ROW SOCKET ASSEMBLY</p>		
	<p>DWG. NO. BSH-XXX-01-X-D-XX-XX</p>		
	BY: DEAN P	06/08/1999	SHEET 2 OF 2