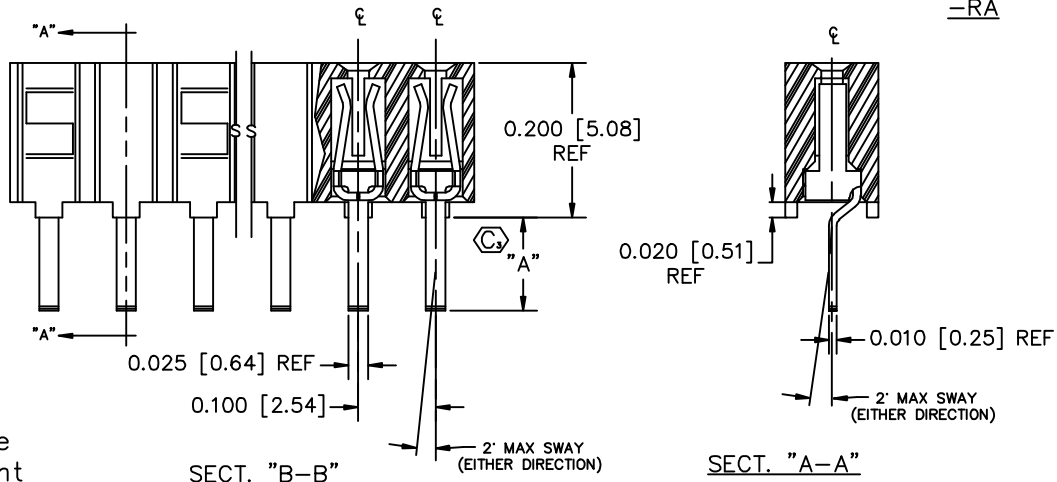
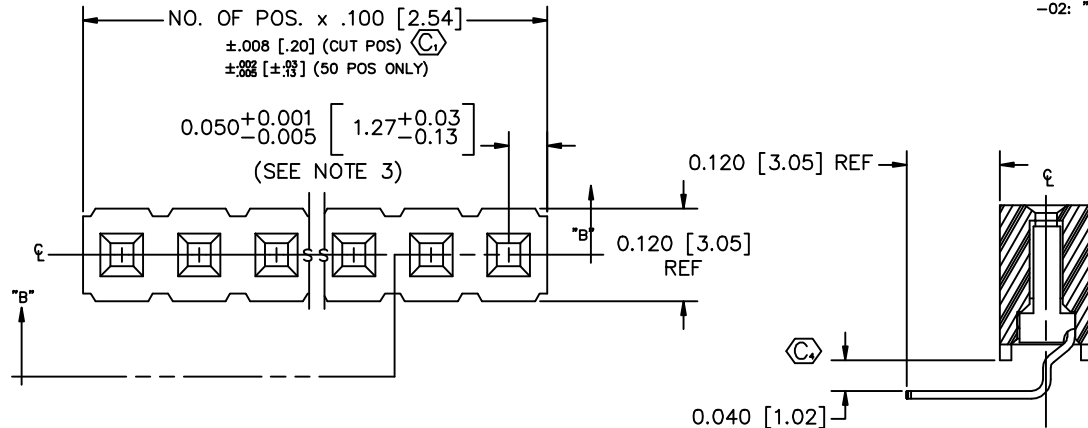


REV. X

DIMENSIONS ARE IN INCHES UNLESS OTHERWISE NOTED TOLERANCES ARE:		TITLE:	DWG NO:
ONE PLACE DECIMALS ± .1 [3]	THREE PLACE DECIMALS ± .005 [.13]	CLOSED ENTRY SOCKET STRIP	CES-1XX-XX-X-X-XX
TWO PLACE DECIMALS ± .01 [.3]	FOUR PLACE DECIMALS ± .0020 [.051]	ANGLES ± 2°	SHEET 1 of 1

- NOTES:
- CONTACT RETENTION FORCE: 2 lbs
  - MAX ALLOWABLE BOW: .006 [.15] IN/IN
  - "END WALLS" AFTER CUTTING SHOULD BE .015±.001 [.38±.03]
  - WHEN FILLING THE ASSEMBLY, ALL CONTACTS MUST BE FACING THE SAME DIRECTION.
  - (C) REPRESENTS CRITICAL DIMENSION.
  - CUT FLASH: .015 [.38] MAX WITH NO FLASH ALLOW IN HOLES.
  - .003 [.08] MAX TERMINAL BURR.



Do not scale from this print

CES-1XX-XX-X-X-XX

POSITION SPECIFICATIONS  
-01 THRU -50

CONTACT LEAD STYLE  
-01: "A"=.128 [3.25] (USE C-45-01-X)  
-02: "A"=.223 [5.66] (USE C-45-02-X)

OPTIONS  
-RA: RIGHT ANGLE (STYLE -02 ONLY)

ROW SPECIFICATION  
-S: SINGLE (USE CES-XX-S)

PLATING SPECIFICATIONS  
-T: TIN - SPECIFY -T IN CONTACT SUFFIX -X  
-G: GOLD - SPECIFY -G IN CONTACT SUFFIX -X  
-S: SELECTIVE - SPECIFY -S IN CONTACT SUFFIX -X  
-F: FLASH GOLD - SPECIFY -F IN CONTACT SUFFIX -X (AVAILABLE IN -01 LEAD STYLE ONLY)  
-L: LIGHT SELECTIVE - SPECIFY -L IN CONTACT SUFFIX -X

PT-1-24-01-53

NOTE:  
PINS TO ALL BE FACING THE SAME DIRECTION

PACKAGING VIEW LEAD STYLE -01 & -02  
SCALE: .75

PT-1-24-03-78

PACKAGING VIEW LEAD STYLE -02-RA  
SCALE: .75

PACKAGING TABLE (5 POS MIN)		
LEAD STYLE	TUBE	PLUG
-01 & -02	PT-1-24-01-53	TP-24 (2)
-02-RA	PT-1-24-03-78	TP-09 (2)

**PROPRIETARY NOTE**  
THIS DOCUMENT CONTAINS INFORMATION CONFIDENTIAL AND PROPRIETARY TO SAMTEC INC. AND SHALL NOT BE REPRODUCED OR TRANSMITTED TO OTHER DOCUMENTS OR PROCESSED TO OTHERS OR USED FOR ANY PURPOSE OTHER THAN THAT FOR WHICH IT WAS OBTAINED WITHOUT THE EXPRESSED WRITTEN CONSENT OF SAMTEC INC.

MATERIAL:  
GLASS FILLED POLYESTER  
COLOR: BLACK

TERMINAL:  
PHOS BRONZE

EDS/PROD/ASSEMBLY/100 CES-MKT

**samtec**

520 PARK EAST BLVD. NEW ALBANY, INDIANA 47150  
PHONE (812) 944-6733 P.O. BOX 1147  
CODE 55322

MADE BY: KOLB 12-6-89

CES-1XX-XX-X-X-XX  
SHEET 1 OF 1