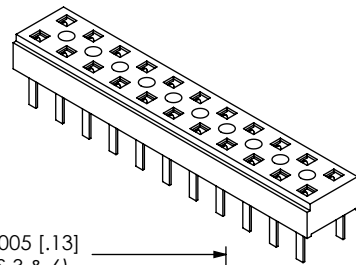


DO NOT SCALE FROM THIS PRINT

TABLE 2	
LEAD STYLE	"A"
-01	.085 [2.16]
-03	.116 [2.95]



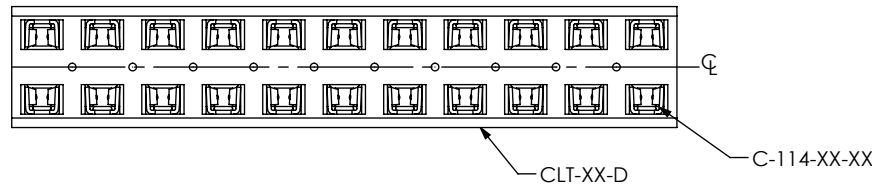
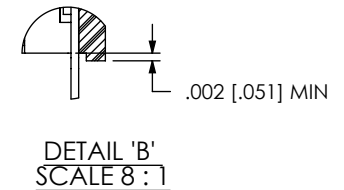
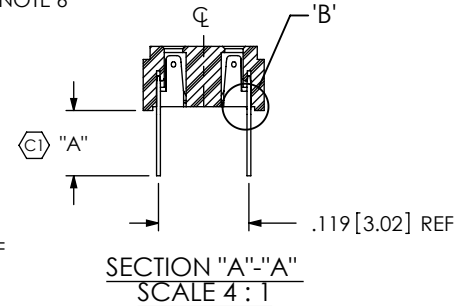
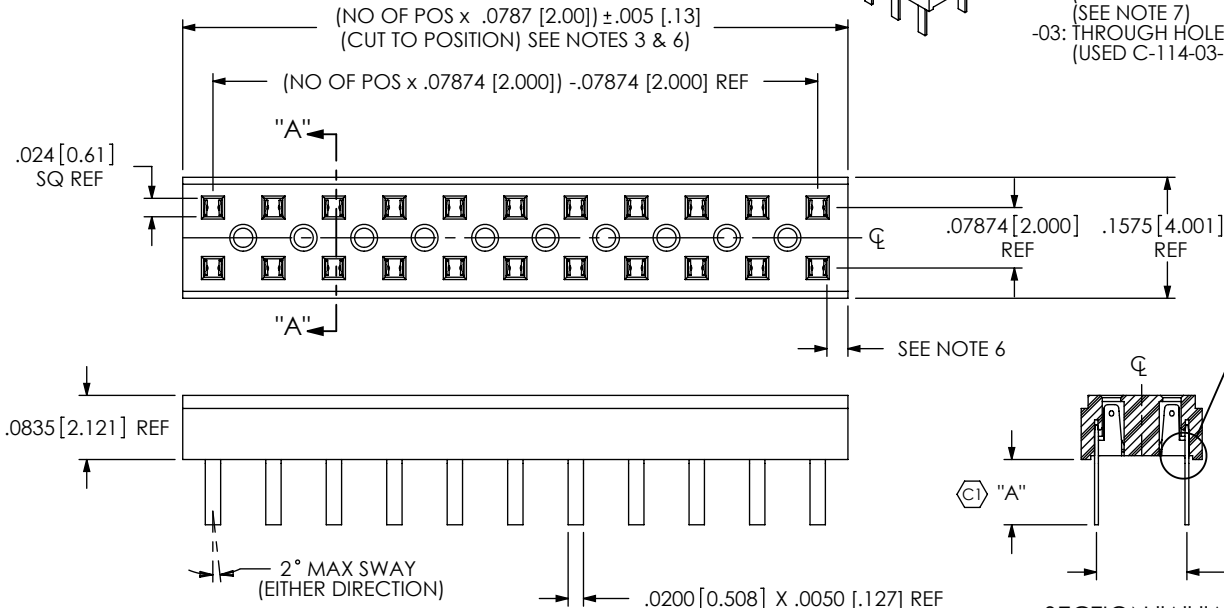
CLT-1XX-XX-XX-D

No OF POSITIONS
-02 THRU -50
(PER ROW)

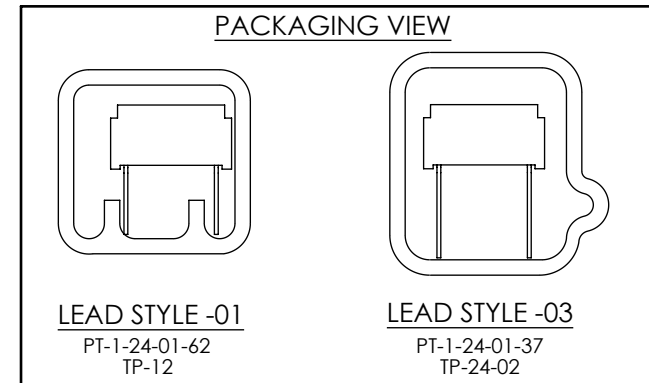
LEAD STYLE
-01: THROUGH HOLE
(USE C-114-02-XX)
(SEE NOTE 7)
-03: THROUGH HOLE
(USED C-114-03-XX)

BODY SPECIFICATION
-D: DOUBLE ROW

PLATING SPECIFICATION
(VALUES GIVEN ARE IN MICRO-INCHES)
-G: GOLD, 10 Au / 50 Ni MIN ON CONTACT, 3 Au / 50 Ni MIN ON TAIL.
-S: SELECTIVE, 30 Au / 50 Ni MIN ON CONTACT, MATTE TIN TAIL.
-F: FLASH SELECTIVE, 3 Au / 50 Ni MIN ON CONTACT, MATTE TIN TAIL.
-SM: SELECTIVE, 30 Au / 50 Ni MIN ON CONTACT, MATTE TIN TAIL.
-FM: FLASH SELECTIVE, 3 Au / 50 Ni MIN ON CONTACT, MATTE TIN TAIL.
-L: LIGHT SELECTIVE, 10 Au / 50 Ni MIN ON CONTACT, MATTE TIN TAIL.
-LM: LIGHT SELECTIVE, 10 Au / 50 Ni MIN ON CONTACT, MATTE TIN TAIL.



CLT-111-XX-XX-D SHOWN



NOTES:

- ⊕ REPRESENTS A CRITICAL DIMENSION.
- MINIMUM PUSHOUT FORCE: .5 LB.
- PARTS TO BE SYMMETRICAL ABOUT ϕ .
- WILL LOSE A POSITION FOR EVERY CUT MADE ON A SOCKET STRIP.
- PACKAGE POSITIONS -04 THRU -50 IN TUBES, LAYER PACKAGE POSITION -02 THRU -03.
- ENDWALL AFTER CUTTING: .0215 MIN.
- C-114-22-XX CAN BE USED FOR C-114-02-XX. C-114-22-XX IS FOR AUTOMATED ASSEMBLY PROCESSES ONLY.

UNLESS OTHERWISE SPECIFIED, DIMENSIONS ARE IN INCHES. TOLERANCES ARE:

DECIMALS	ANGLES
.XX: ±.01 [.3]	10°
.XXX: ±.005 [.13]	
.XXXX: ±.0020 [.051]	

PROPRIETARY NOTE
THIS DOCUMENT CONTAINS INFORMATION CONFIDENTIAL AND PROPRIETARY TO SAMTEC, INC. AND SHALL NOT BE REPRODUCED OR TRANSFERRED TO OTHER DOCUMENTS OR DISCLOSED TO OTHERS OR USED FOR ANY PURPOSE OTHER THAN THAT WHICH IT WAS OBTAINED WITHOUT THE EXPRESSED WRITTEN CONSENT OF SAMTEC, INC.



520 PARK EAST BLVD., NEW ALBANY, IN 47150
PHONE: 812-944-6733 FAX: 812-948-5047
e-Mail: info@SAMTEC.com code 55322

MATERIAL: DO NOT SCALE DRAWING SHEET SCALE: 4:1
INSULATOR: LCP, UL 94 VO, COLOR: BLACK
CONTACT: PHOS BRONZE

DESCRIPTION: 2MM LOW PROFILE SOCKET STRIP

DWG. NO. CLT-1XX-XX-XX-D

BY: PURVIS 11-02-95 SHEET 1 OF 1