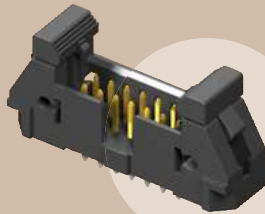
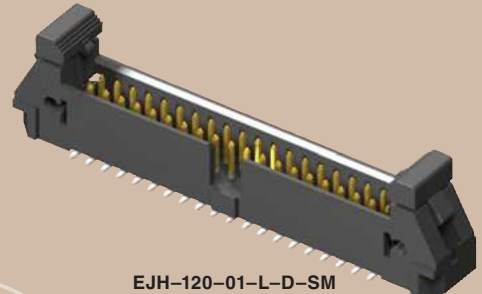


EJH-107-01-F-D-TH



EJH-120-01-L-D-SM



(2,54 mm) .100"

EJH SERIES

SHROUDED IDC EJECTOR HEADERS

SPECIFICATIONS

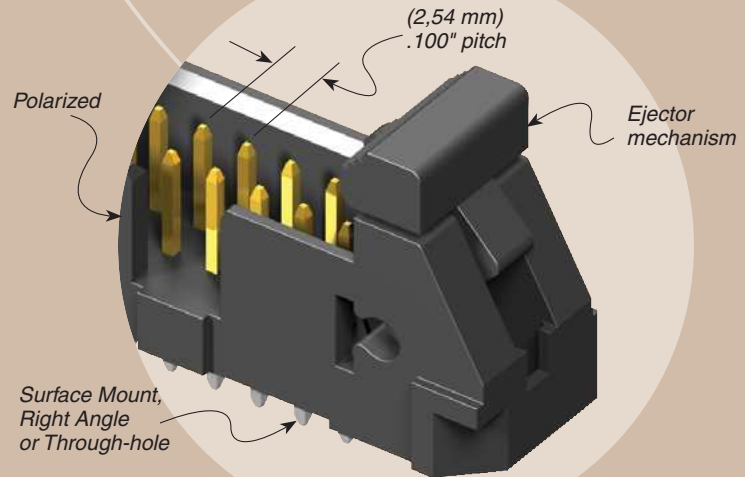
For complete specifications and recommended PCB layouts see www.samtec.com?EJH

Insulator Material:
Liquid Crystal Polymer
Terminal Material:
Phosphor Bronze

Plating:
Sn or Au over
50µ" (1,27 µm) Ni
Operating Temp Range:
-55°C to +125°C
RoHS Compliant:
Yes

Processing:
Lead-Free Solderable:
Yes
SMT Lead Coplanarity:
(0,10 mm) .004" max

Mates with:
IDSD



RECOGNITIONS

For complete scope of recognitions see www.samtec.com/quality



EJH	1	NO. PINS PER ROW	01	PLATING OPTION	D	TAIL OPTION	OTHER OPTION		
05, 07, 08, 10, 13, 15, 17, 20, 25 (Standard sizes.)			-F = Gold flash on post, Matte Tin on tail -L = 10µ" (0,25 µm) Gold on post, Matte Tin on tail		-SM = Surface Mount -TH = Through-hole -RA = Right Angle		- "XX" = Polarized Position -LC = Locking Clip (-SM only) (Manual placement required) -K = .475" (12,00 mm) DIA Polyimide Film Pick & Place Pad (-SM only) -P = Pick & Place Pad (-SM only) -TR = Tape & Reel Packaging (-SM only) 25 position not available		
				-RA OPTION		-LC OPTION		-SM OPTION (Latch removed for clarity)	

ALSO AVAILABLE (MOQ Required)

- Other sizes
 - Other lead styles
 - Other platings
- Contact Samtec.

Note: Some lengths, styles and options are non-standard, non-returnable.

Due to technical progress, all designs, specifications and components are subject to change without notice.

WWW.SAMTEC.COM