

DO NOT SCALE FROM THIS PRINT

TAIL STYLE	"A"	"B" MAX
-01	.045 [1.14]	.755 [19.18]
-02	.075 [1.91]	.725 [18.42]
-04	.090 [2.29]	.710 [18.03]

TERMINAL	"C"	ROW OPTION
T-1S15-10-XX	.401 [10.19] - .750 [19.05]	D
T-1S15-03-XX	.401 [10.19] - .750 [19.05]	S
T-1S15-04-XX	.170 [4.32] - .400 [10.16]	D,S
T-1S15-05-XX	.751 [19.08] - .800 [20.32]	D,S

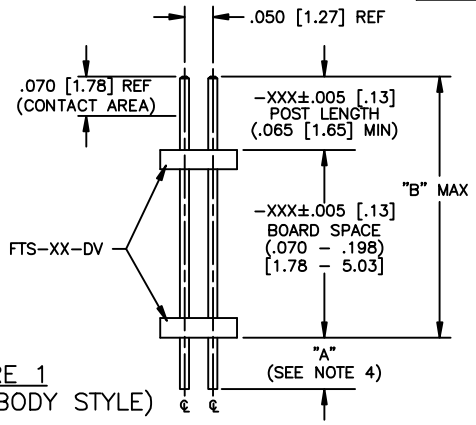
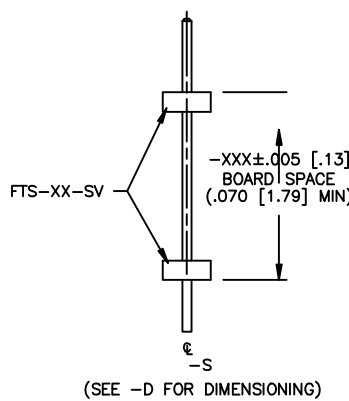
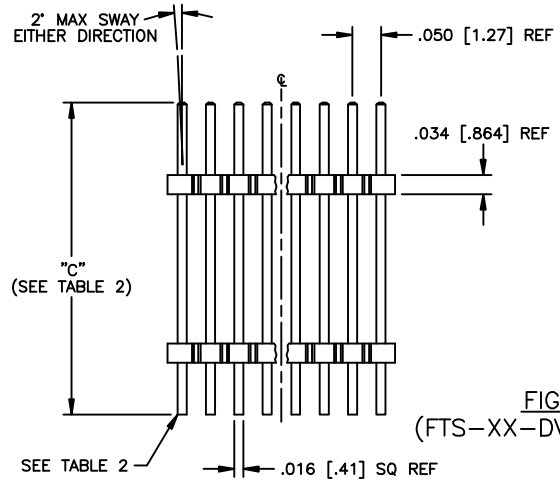
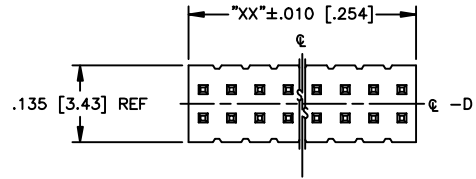
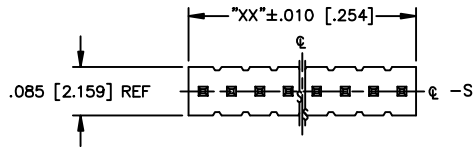


FIGURE 1 (FTS-XX-DV BODY STYLE)

BOARD STYLE	BODY STYLE	FIG.
.070 - .198	FTS-XX-DV	1
.199 - .690	FTSH-XX-D	2 (SEE SHEET 2)

* THIS TABLE APPLIES TO DOUBLE ROW ASSEMBLIES ONLY. ALL SINGLE ROW ASSEMBLIES USE FTS-XX-SV

FW-XX-XX-XX-X-XXX-XXX-XX

POSITION SPEC
No OF POS PER ROW
-02 THRU -50
"XX" = No OF POS x .050 [1.27]
TERMINAL

TAIL STYLE
SEE TABLE 1
(SEE TABLE 2 FOR TERMINAL PIN)

PLATING
-L: LIGHT SELECTIVE (USE T-1S15-XX-L)
-F: FLASH GOLD (USE T-1S15-XX-F)
-G: GOLD (OVER ENTIRE PIN) (USE T-1S15-XX-G)
-H: HEAVY GOLD (USE T-1S15-XX-H)
-LM: LIGHT SELECTIVE GOLD, MATTE TIN TAIL (USE T-1S15-XX-L)
-FM: FLASH SELECTIVE GOLD, MATTE TIN TAIL (USE T-1S15-XX-F)

OPTION
-ES: END SHROUDS (SEE FIG. 4, SHT 2) (9 POS PER ROW MIN) (MAX POST: .075 [1.91]) (SEE NOTE 6)
-EP: GUIDE POST (FIG. 3, SHT 2) (9 POS PER ROW MIN) (MAX POST: .075 [1.91]) (USE ONLY WHEN MATING WITH CLP) (SEE NOTE 6)

POST LENGTH
-XXX±.005 [.13]
.065 [1.65] MIN.

BOARD SPACE
-XXX±.005 [.13]
(.070 [1.78] MIN.) SEE TABLE 1 FOR MAX.

ROW OPTION
-D: DOUBLE (SEE TABLE 3)
-S: SINGLE (USE 2 FTS-50-SV)

DO NOT DESIGN -S: SINGLE ROW IN!!
SAMTEC WILL ONLY SUPPORT EXISTING BUSINESS AS OF 10/17/97.

LEAD STYLE	OPTIONS	BOARD STYLE/HEIGHT	*"C" DIMENSION	FOR DOUBLE ROW OPTIONS ONLY PACKAGING TUBE	PLUG
-01,-02,-04	NONE	FTS	0-.350	PT-FW001-D-.070-.198	TP-24
-01,-02,-04	NONE	FTSH	0-.415	PT-FW002-D-.199-.253	TP-24
-01,-02,-04	NONE	FTSH	.416-.800	PT-FW003-D-.254-.690	TP-24
-01,-02,-04	EP,ES	.199-.690	.800 MAX	PT-FW004-0X-D-EX	TP-24
-01,-02,-04	NONE	FTS	.351-.800	PT-FW007-D-.070-.198	TP-24

"C" DIMENSION = POST LENGTH + BOARD SPACE + "A" (SEE TABLE 1)

- NOTES:
1. MAX ALLOWABLE BOW: .003 IN/IN AFTER ASSEMBLY.
 2. PUSHOUT FORCE SHALL BE .5 LB MIN. ON BOARD STYLE .070-.198 AND 1 LB MIN ON BOARD STYLE .199-.690
 3. GOLD AREA TO APPEAR ON POST.
 4. TAILS SHEARED TO DIMENSIONS SHOWN.
 5. LAYER PACKAGE POSITIONS 2 - 10. TUBE PACKAGE POSITIONS 11 - 50.
 6. AVAILABLE ONLY W/BOARD SPACE .215 TO .610
 7. "B" = POST DIMENSION + BOARD SPACE.
 8. MAX CUT FLASH: .010 [2.5].
 9. FILL BODY SO THAT THE LEAD IN OF THE CORE IS ON THE TAIL SIDE.

PROPRIETARY NOTE
THIS DOCUMENT CONTAINS INFORMATION CONFIDENTIAL AND PROPRIETARY TO SAMTEC INC. AND SHALL NOT BE REPRODUCED OR TRANSMITTED TO OTHERS OR USED FOR ANY PURPOSE OTHER THAN THAT FOR WHICH IT WAS OBTAINED WITHOUT THE EXPRESSED WRITTEN CONSENT OF SAMTEC INC.

MATERIAL:
FTM-50-D &
FTSH-50-D
VECTRA E130
COLOR: BLACK
FW-50-D
ZENITE 6130L
COLOR: NATURAL
TERMINAL:
PHOS BRONZE
MAX FLASH ALLOWED:
.002 [.05]
MAX GATE VESTIGE
ALLOWED: .002 [.05]

EXISPROD\ASSEMBLY\050
FW-ASM

samtec

520 PARK EAST BLVD. NEW ALBANY, INDIANA 47150
PHONE (812) 944-6733 P.O. BOX 1147
CODE 55322

MADE BY:
BRATCHER 4-8-94

FW-XX-XX-XX-X-XXX-XXX-XX
SHEET 1 OF 2