

UNLESS OTHERWISE NOTED  
 DIMENSIONS ARE IN INCHES TOLERANCES ARE:  
 ONE PLACE DECIMALS ±.1[2.5] THREE PLACE DECIMALS ±.005[.13]  
 TWO PLACE DECIMALS ±.01[.3] FOUR PLACE DECIMALS ±.0020[.051] ANGLES ± 2°

TITLE:  
 2mm x 2mm  
 TERMINAL STRIP ASSEMBLY  
 DWG NO:  
 TMMH-1XX-XX-XX-D-XXX-XXX  
 SHEET 1 OF 3

TABLE 1				
LEAD STYLE	"A"	"B"	TERMINAL	"C"
-01	.126 [3.20]	.302 [7.67]	T-1S13-07-XX-2	.097 [2.46] REF
-04	.075 [1.91]	.255 [6.48]	T-1S13-04-XX-2	.101 [2.57] REF
* -05	.065 [1.65]	.234 [5.94] REF	T-1S13-07-XX-2	.090 [2.29]
-21	.126 [3.20]	.255 [6.48]	T-1S13-04-XX-2	.050 [1.27] REF
-22	.075 [1.91]	.204 [5.18]	T-1S13-25-XX-2	.050 [1.27] REF
-06	.126 [3.20]	.344 [8.74]	T-1S13-31-XX-2	.139 [3.53] REF

\* SEE NOTE 5

TMMH-1XX-XX-XX-D-XXX-XXX

No. OF POSITIONS  
 -02 THRU -50  
 (PER ROW)

LEAD STYLE  
 SEE TABLE 1

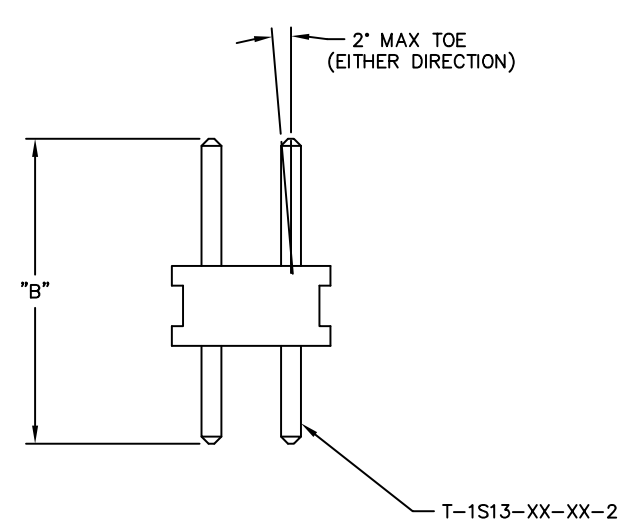
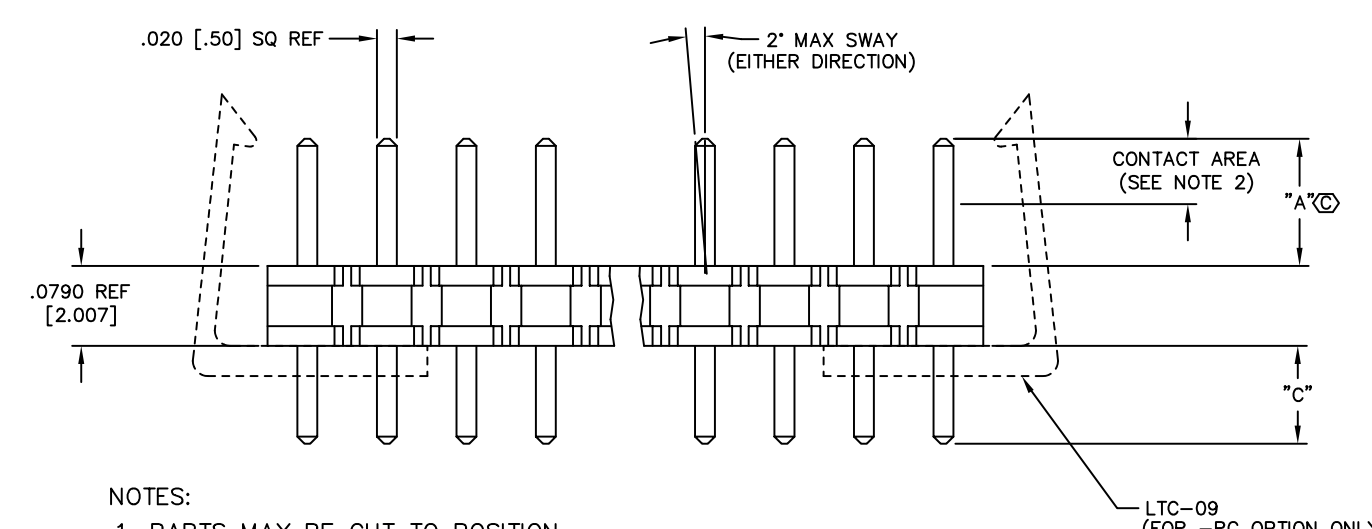
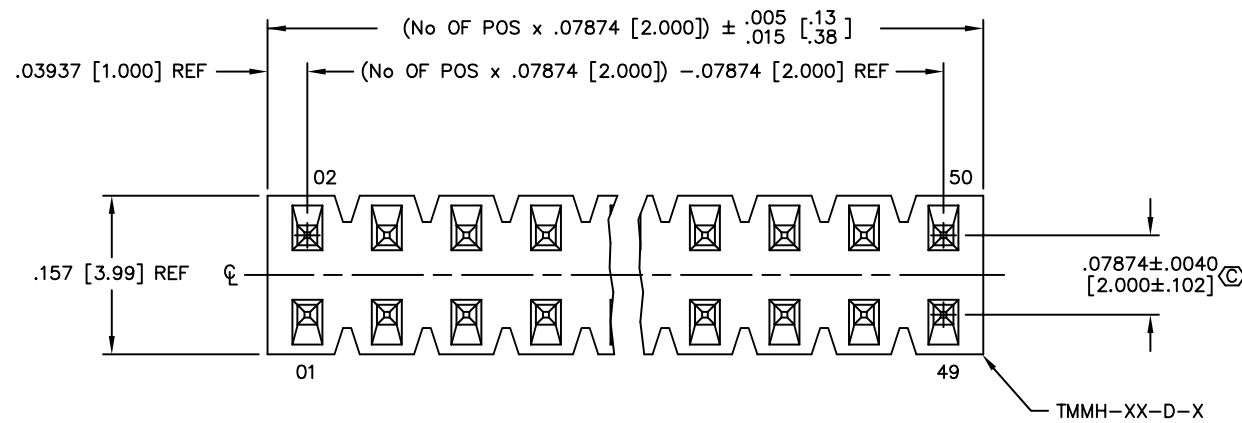
POLARIZATION  
 SPECIFY POSITION -XXX TO BE OMITTED

OPTIONS (IF NO OPTIONS USE TMMC-50-D)  
 -ES: END SHROUDS (SEE FIG. 2- SHT 2, 9 POS MIN)  
 -EL: BOARD LOCK (SEE FIG. 3- SHT 2, 9 POS MIN)  
 -EC: LOCKING CLIP (SEE FIG. 4- SHT. 2, 9 POS MIN) (SEE NOTE 10)  
 -EP: GUIDE POST (SEE FIG. 5- SHT. 2, 9 POS MIN)  
 -EA: ALIGNMENT PIN (SEE FIG. 6- SHT. 2, 9 POS MIN)  
 -EBC: BOARD LOCK WITH LOCKING CLIP (SEE FIG. 7- SHT. 3, 9 POS MIN)  
 (SEE NOTE 10)  
 -EPC: GUIDE POST WITH LOCKING CLIP (SEE FIG. 8- SHT. 3, 9 POS MIN)  
 (SEE NOTE 10)  
 \*\* -MW: METAL WASHER (SEE FIG. 9- SHT. 3)  
 (5 POS PER ROW MIN, 30 POS PER ROW MAX)  
 -RC: RETAINING CLIP FOR IDC, USE LTC-09, DOUBLE ROW ONLY, REQUIRES  
 4 POSITIONS MIN, NOT FOR USE WITH OTHER OPTIONS,  
 SEE NOTES 8 & 9.

ROW OPTION  
 -D: DOUBLE  
 (USE TMMH-XX-D-X)  
 (IF NO OPTIONS USE TMMC-50-D)

PLATING  
 -L: LIGHT SELECTIVE GOLD (USE T-1S13-XX-L-2)  
 -F: FLASH GOLD (USE T-1S13-XX-F-2)  
 -S: SELECTIVE GOLD (USE T-1S13-XX-S-2)  
 -G: GOLD (USE T-1S13-XX-G-2)  
 -H: HEAVY GOLD (USE T-1S13-XX-H-2)  
 -T: TIN (USE T-1S13-XX-T-2)  
 -TM: MATTE TIN (USE T-1S13-XX-T-2)  
 -LM: LIGHT SELECTIVE GOLD/MATTE TIN TAIL (USE T-1S13-XX-L-2)  
 -FM: FLASH GOLD/MATTE TIN TAIL (USE T-1S13-XX-F-2)  
 -SM: SELECTIVE GOLD/MATTE TIN (USE T-1S13-XX-S-2)

\*\* -MW OPTION, DO NOT DESIGN IN. SAMTEC WILL ONLY SUPPORT EXISTING BUSINESS 2/05/02.



NOTES:

- PARTS MAY BE CUT TO POSITION.
- GOLD PLATING TO BE ON POST, TIN PLATING ON TAIL.
- Ⓢ REPRESENTS A CRITICAL DIMENSION.
- MINIMUM PUSHOUT FORCE: 1.0 LB.
- MUST SHEAR TO DIMENSION SHOWN.
- NOTE DELETED
- MAX CUT FLASH: .020 [.51]
- WAVE SOLDER APPLICATION ONLY.
- RETAINING CLIP FOR -06 LEAD STYLE ONLY.
- DUE TO THE HIGH AMOUNT OF INSERTION FORCE NEEDED, THE -LC OPTION IS NOT COMPATIBLE WITH AUTO PLACEMENT. SAMTEC RECOMMENDS MANUAL PLACEMENT FOR ALL ASSEMBLIES WITH THE -EC, -EBC, AND -EPC OPTION.

FIG. 1

**PROPRIETARY NOTE**  
 THIS DOCUMENT CONTAINS INFORMATION CONFIDENTIAL AND PROPRIETARY TO SAMTEC INC. AND SHALL NOT BE REPRODUCED OR TRANSFERRED TO OTHER DOCUMENTS OR DISCLOSED TO OTHERS OR USED FOR ANY PURPOSE OTHER THAN THAT FOR WHICH IT WAS OBTAINED WITHOUT THE EXPRESSED WRITTEN CONSENT OF SAMTEC INC.

MATERIAL: BLACK, LCP	 520 PARK EAST BLVD. NEW ALBANY, INDIANA 47150 PHONE (812) 944-6733 P.O. BOX 1147 CODE 55322	EXISPROD\ASSEMBLY\2MM TMMH-TH
TERMINAL: PHOSPHOR BRONZE		MADE BY: PURVIS 12-17-96

This document was created with Win2PDF available at <http://www.daneprairie.com>.  
The unregistered version of Win2PDF is for evaluation or non-commercial use only.