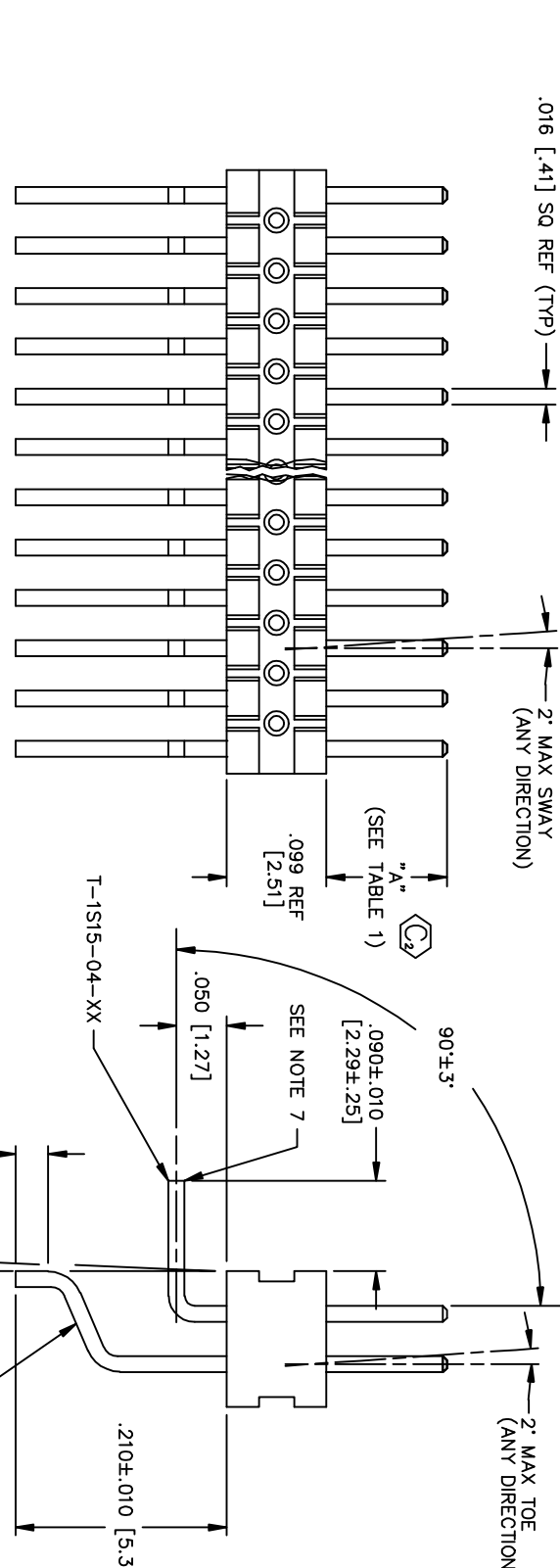
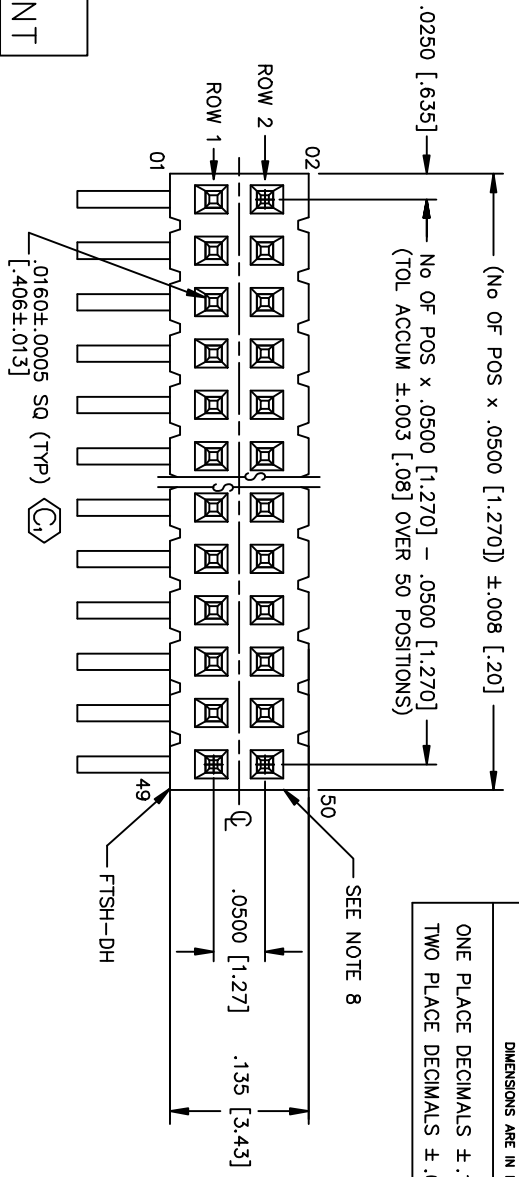
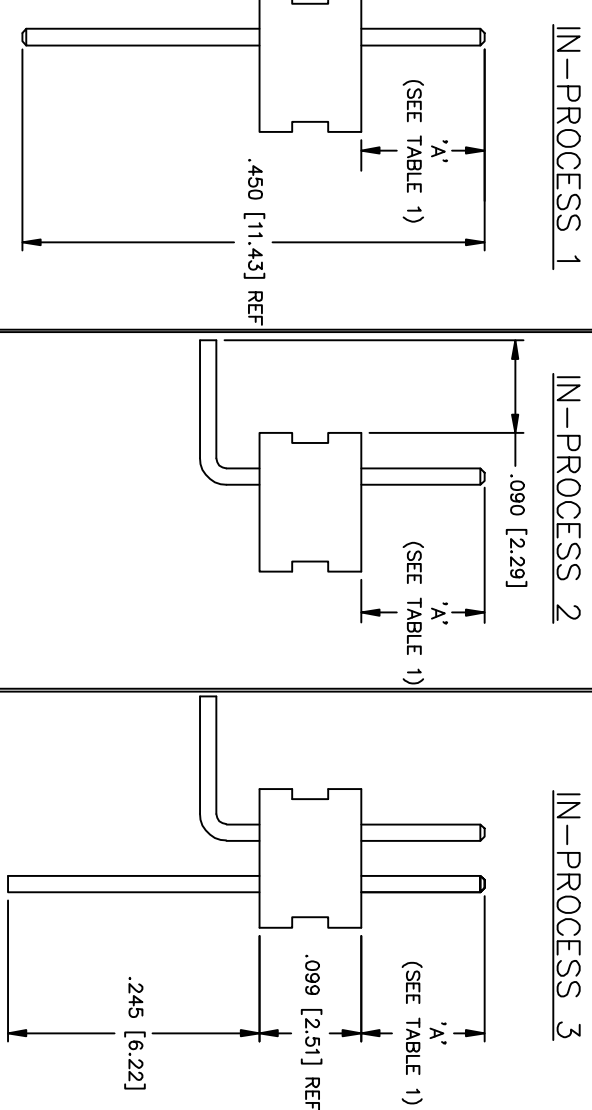
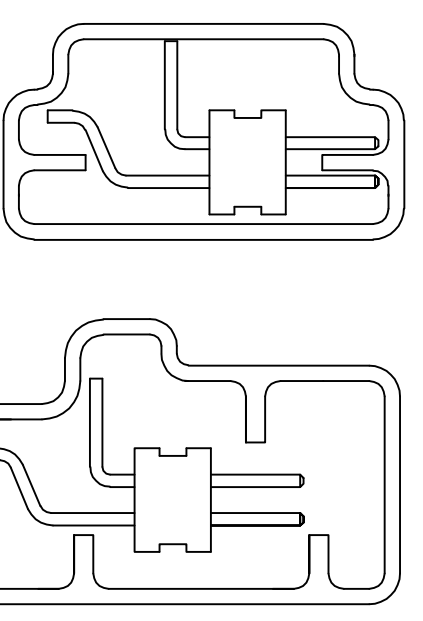


DO NOT SCALE FROM THIS PRINT



PT-1-24-07-15 (-01, -02 LEAD STYLE) TUBE TO USE (2) TP-03

PT-MM1001-DH-P (-04 LEAD STYLE) TUBE TO USE (2) TP-09



LEAD STYLE	"A"	ROW 1	ROW 2
-01	.120±.005 [3.05±.13]	T-1S15-04-XX	T-1S15-03-XX
-02	.075±.005 [1.91±.13]	T-1S15-04-XX	T-1S15-03-XX
-04	.150±.005 [3.81±.13]	T-1S15-04-XX	T-1S15-03-XX

TABLE 2		
LEAD STYLE	NO. OF POS	PACKAGING
-01	-02 THRU -04	TAPE & REEL
-01	-05 THRU -50	PT-1-24-07-15
-02	-02 THRU -05	TAPE & REEL
-02	-06 THRU -50	PT-1-24-07-15
-04	-02 THRU -03	TAPE & REEL
-04	-04 THRU -50	PT-MM1001-DH-P

- NOTES:
- TERMINALS TO BE SHEARED TO MEET DIMENSION SPECIFICATION.
  - PARTS MAY BE CUT TO POSITION.
  - MINIMUM PUSHOUT FORCE: .5 LB.
  - MAXIMUM TOP / BOTTOM BOW: .004 [0.10].
  - SEE PACKAGING TABLE 2.
  - ⊗ REPRESENTS A CRITICAL DIMENSION
  - .002 MAX BURR ALLOWED.
  - .015 MAX CUT FLASH ALLOWED.
  - PINS 2 TO BE FLUSH TO .003 ABOVE OR BELOW LINE MADE BY BODY.

- FTSH-1XX-XX-XX-MT-XX
- No OF POS. PER ROW  
 -02 THRU -50  
 (SEE NOTE 2 & 5)
- LEAD STYLE  
 -01: "A" = .120 [3.05]  
 -02: "A" = .075 [1.91]  
 -04: "A" = .150 [3.81]  
 (SEE TABLE 1 FOR TERMINAL USAGE)
- PLATING  
 -L: LIGHT SELECTIVE (USE T-1S15-04-L & T-1S15-03-L)  
 -F: FLASH SELECTIVE (USE T-1S15-04-F & T-1S15-03-F)  
 -S: SELECTIVE GOLD (USE T-1S15-04-S & T-1S15-03-S)  
 -H: HEAVY GOLD (USE T-1S15-04-H & T-1S15-03-H)  
 -SM: HEAVY SELECTIVE GOLD/MATTE TIN TAIL (USE T-1S15-04-S & T-1S15-03-S)  
 -LM: LIGHT SELECTIVE GOLD, MATTE TIN TAIL (USE T-1S15-04-L & T-1S15-03-L)  
 -FM: FLASH SELECTIVE GOLD, MATTE TIN TAIL (USE T-1S15-04-F & T-1S15-03-F)  
 -TM: MATTE TIN (USE T-1S15-04-T & T-1S15-03-T)
- DOUBLE MIXED TECHNOLOGY  
 -TR: TAPE AND REEL  
 -PK: PACKAGING

520 PARK EAST BLVD. NEW ALBANY, INDIANA 47150  
 PHONE (812) 944-6733 P.O. BOX 1147  
 CODE 55322

MADE BY: PURVIS 07-29-96 FTSH-1XX-XX-XX-MT-XX SHEET 1 OF 1



PROPRIETARY NOTE  
 THIS DOCUMENT CONTAINS INFORMATION CONFIDENTIAL AND PROPRIETARY TO SAMTEC INC. AND SHALL NOT BE DISCLOSED TO ANY OTHER PARTY WITHOUT THE WRITTEN CONSENT OF SAMTEC INC.