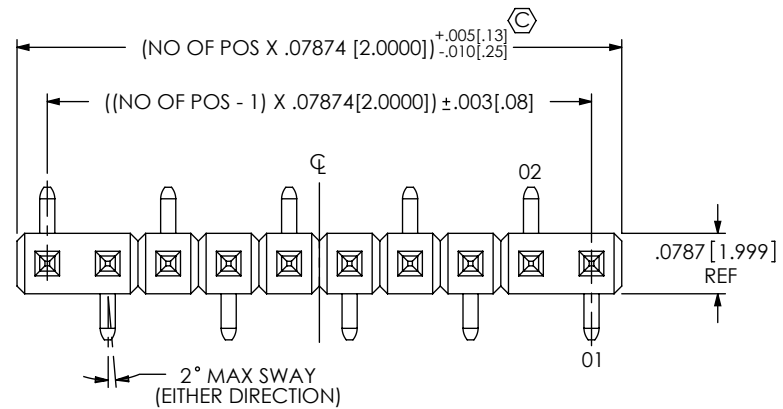


DO NOT SCALE FROM THIS PRINT



MMT-1XX-XX-X-XV-XX-XX-XX

No OF POSITIONS  
-02 THRU -36  
(PER ROW)

LEAD STYLE  
SEE TABLE 1

**PLATING SPECIFICATION**  
 -T: MATTE TIN CONTACT AND TAIL  
 -S: 30μ" SELECTIVE GOLD IN CONTACT AREA, MATTE TIN ON TAIL  
 -L: 15μ" SELECTIVE GOLD IN CONTACT AREA, MATTE TIN ON TAIL  
 -F: 3μ" SELECTIVE GOLD IN CONTACT AREA, MATTE TIN ON TAIL

**BODY SPECIFICATION**  
 -SV: SINGLE (USE 2TS-XX-SV-X)  
 -DV: DOUBLE (USE 2TS-XX-D-X)

OPTION  
 -P: PICK & PLACE PAD (SEE FIG 6, SHT 3)  
 -TR: TAPE & REEL

OPTION  
 POLARIZED (SPECIFY POS -XX AS POS TO BE OMITTED)

OPTION  
 -LC: LOCKING CLIP (SEE NOTE 5) (USE LC-05-TM; SEE FIG 4 & 5, SHT 3)  
 -A: ALIGNMENT PIN (SEE FIG 3, SHT 2) (FOR -DV USE 2TS-XX-DV-A) (FOR -SV USE 2TS-XX-SV-A)

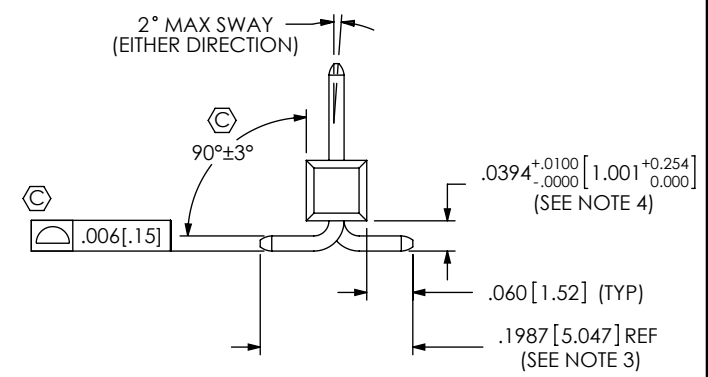
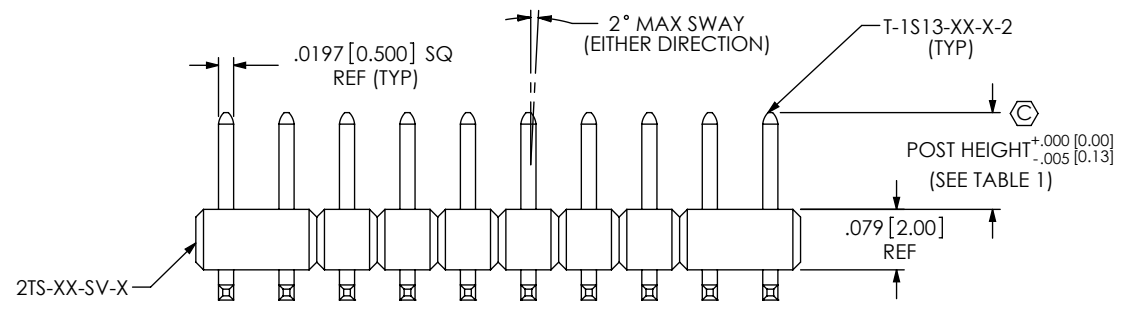


FIG 1  
MMT-110-01-X-SV SHOWN

LEAD STYLE	PIN	OVERALL LENGTH	POST HEIGHT
-01	T-1S13-20-X-2	.323 [8.20]	.126 [3.20]
-02	T-1S13-20-X-2	.323 [8.20] (SEE NOTE 3)	.075 [1.91]

NOTES:

- ⊕ REPRESENTS A CRITICAL DIMENSION.
- MINIMUM PUSHOUT FORCE: 2 LB.
- TAILS WILL BE SHEARED ON -02 LEAD STYLE.
- MEASURED FROM BEND.
- DUE TO THE HIGH AMOUNT OF INSERTION FORCE NEEDED, THE -LC OPTION IS NOT COMPATIBLE WITH AUTO PLACEMENT. SAMTEC RECOMMENDS MANUAL PLACEMENT FOR ALL ASSEMBLIES WITH THE -LC OPTION.

UNLESS OTHERWISE SPECIFIED, DIMENSIONS ARE IN INCHES. TOLERANCES ARE:  
 DECIMALS ANGLES  
 .XX: ±.01 [0.3] 2°  
 .XXX: ±.005 [0.13]  
 .XXXX: ±.0020 [0.051]

**PROPRIETARY NOTE**  
 THIS DOCUMENT CONTAINS INFORMATION CONFIDENTIAL AND PROPRIETARY TO SAMTEC, INC. AND SHALL NOT BE REPRODUCED OR TRANSFERRED TO OTHER DOCUMENTS OR DISCLOSED TO OTHERS OR USED FOR ANY PURPOSE OTHER THAN THAT WHICH IT WAS OBTAINED WITHOUT THE EXPRESSED WRITTEN CONSENT OF SAMTEC, INC.



520 PARK EAST BLVD, NEW ALBANY, IN 47150  
 PHONE: 812-944-6733 FAX: 812-948-5047  
 e-Mail: info@SAMTEC.com code 55322

**MATERIAL:** DO NOT SCALE DRAWING SHEET SCALE: 4:1  
 INSULATOR: LCP, UL 94 VO, COLOR: BLACK  
 TERMINAL: PHOS BRONZE

**DESCRIPTION:** 2 mm TERMINAL SV/DV  
**DWG. NO.:** MMT-1XX-XX-X-XV-XX-XX-XX

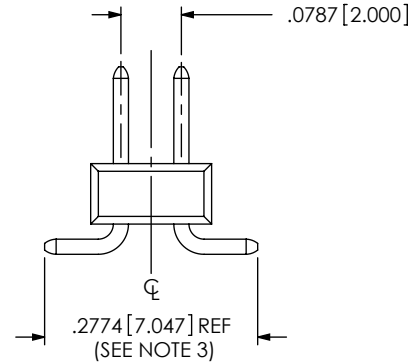
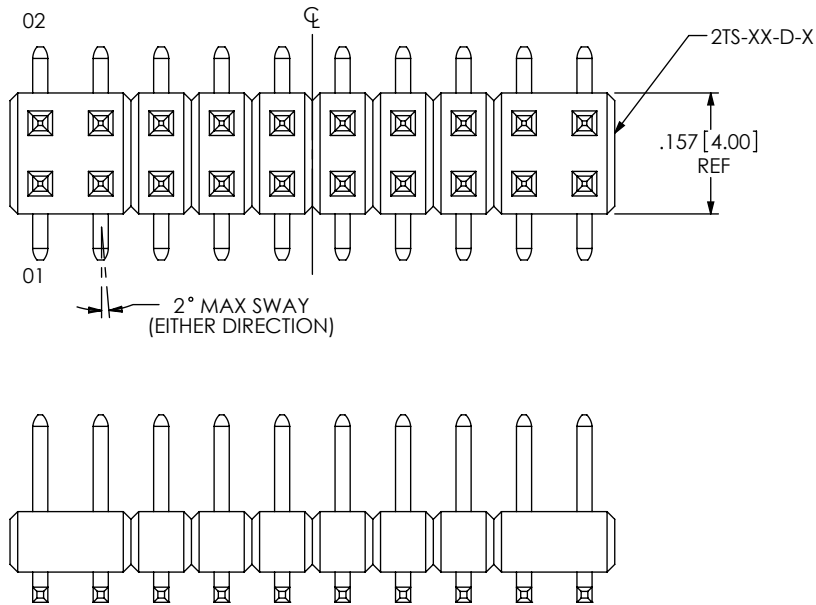


FIG 2  
MMT-110-01-X-DV SHOWN  
(DIFFRENT AS SHOWN, OTHERWISE SAME AS FIG 1)

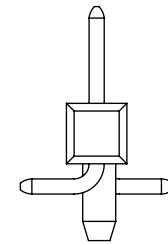
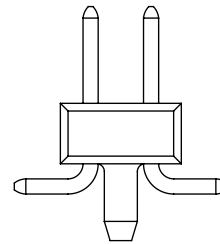
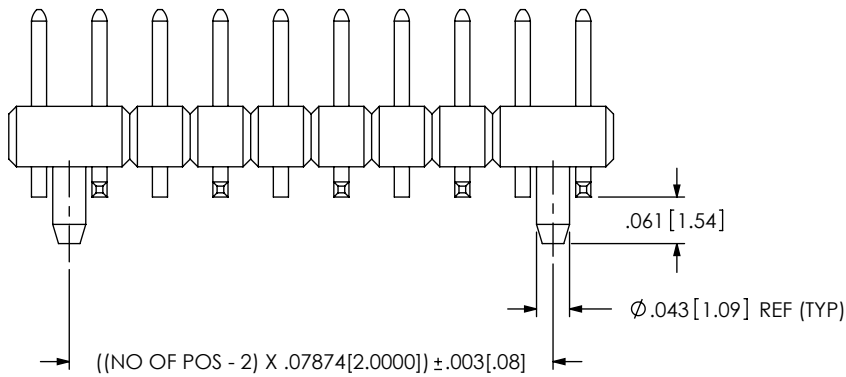


FIG 3  
-A: ALIGNMENT PIN  
MMT-110-01-X-XV-A SHOWN  
(DIFFRENT AS SHOWN, OTHERWISE SAME AS FIG 1)

PROPRIETARY NOTE  
THIS DOCUMENT CONTAINS INFORMATION  
CONFIDENTIAL AND PROPRIETARY TO  
SAMTEC, INC. AND SHALL NOT BE REPRODUCED  
OR TRANSFERRED TO OTHER DOCUMENTS OR  
DISCLOSED TO OTHERS OR USED FOR ANY  
PURPOSE OTHER THAN THAT WHICH IT WAS  
OBTAINED WITHOUT THE EXPRESSED WRITTEN  
CONSENT OF SAMTEC, INC.

DO NOT SCALE DRAWING

SHEET SCALE: 4:1

**samtec**

520 PARK EAST BLVD, NEW ALBANY, IN 47150  
PHONE: 812-944-6733 FAX: 812-948-5047  
e-Mail info@SAMTEC.com code 55322

DESCRIPTION:  
2 mm TERMINAL SV/DV

DWG. NO.  
MMT-1XX-XX-X-XV-XX-XX-XX

BY: GREG R 06/22/1992 SHEET 2 OF 3

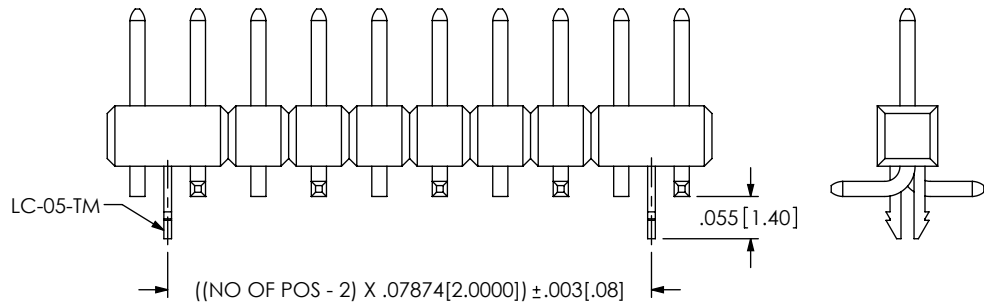


FIG 4  
-LC: LOCKING CLIP  
MMT-110-01-X-SV-LC SHOWN  
(DIFFERENT AS SHOWN, OTHERWISE SAME AS FIG 1)

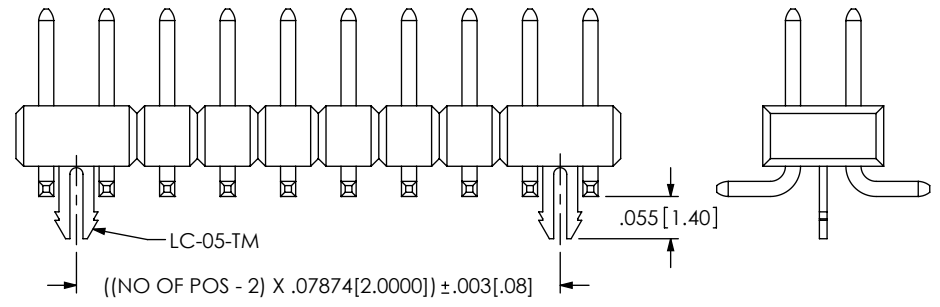


FIG 5  
-LC: LOCKING CLIP  
MMT-110-01-X-DV-LC SHOWN  
(DIFFERENT AS SHOWN, OTHERWISE SAME AS FIG 1)

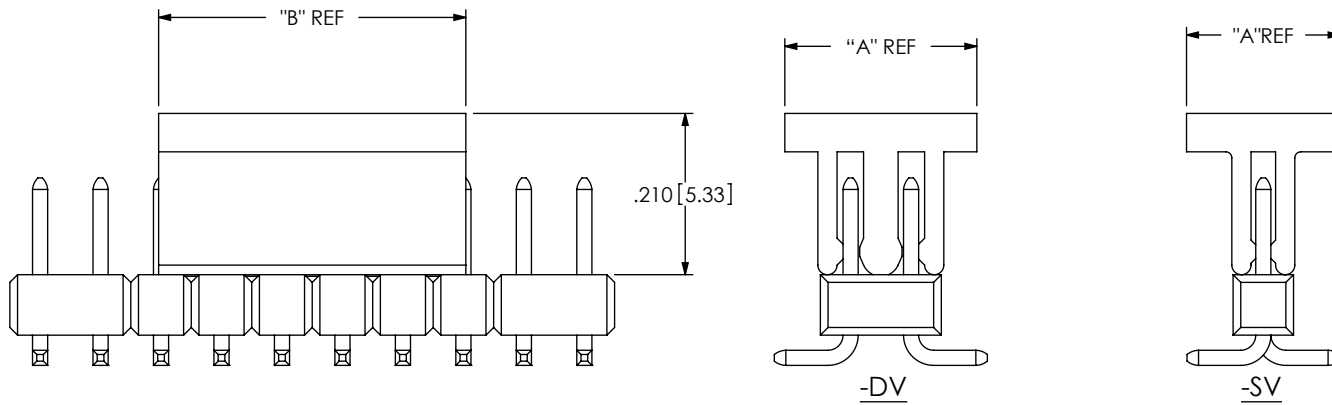


FIG 6   
-P: PICK & PLACE PAD OPTION  
MMT-110-01-X-XV-P SHOWN  
(DIFFERENT AS SHOWN, OTHERWISE SAME AS FIG 1)

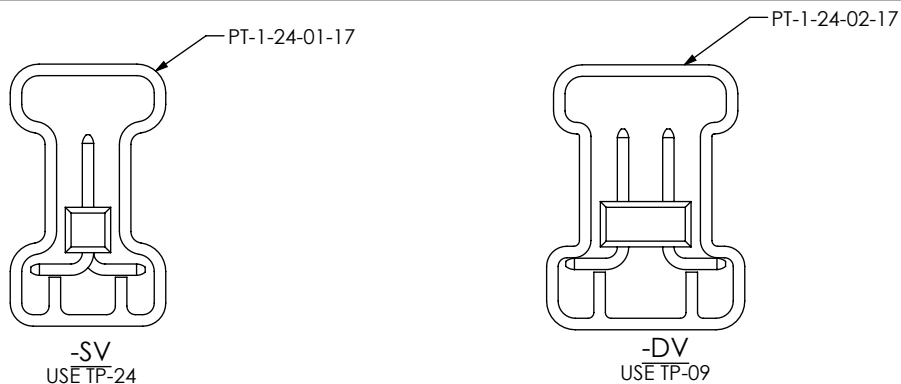


FIG 7  
PACKAGING VIEW

TABLE 2				
BODY	POSITION	PAD	"A"	"B"
DV	2 THRU 7	PPP-28	.197 [5.00]	.315 [8.20]
DV	8 THRU 36	PPP-10	.250 [6.40]	.400 [10.20]
SV	ALL	PPP-11	.200 [5.08]	.400 [10.20]

**PROPRIETARY NOTE**  
THIS DOCUMENT CONTAINS INFORMATION CONFIDENTIAL AND PROPRIETARY TO SAMTEC, INC. AND SHALL NOT BE REPRODUCED OR TRANSFERRED TO OTHER DOCUMENTS OR DISCLOSED TO OTHERS OR USED FOR ANY PURPOSE OTHER THAN THAT WHICH IT WAS OBTAINED WITHOUT THE EXPRESSED WRITTEN CONSENT OF SAMTEC, INC.

DO NOT SCALE DRAWING

SHEET SCALE: 2:1

**samtec**

520 PARK EAST BLVD, NEW ALBANY, IN 47150  
PHONE: 812-944-6733 FAX: 812-948-5047  
e-Mail info@SAMTEC.com code 55322

DESCRIPTION:  
2 mm TERMINAL SV/DV

DWG. NO.  
**MMT-1XX-XX-X-XV-XX-XX-XX**

BY: GREG R 06/22/1992 SHEET 3 OF 3