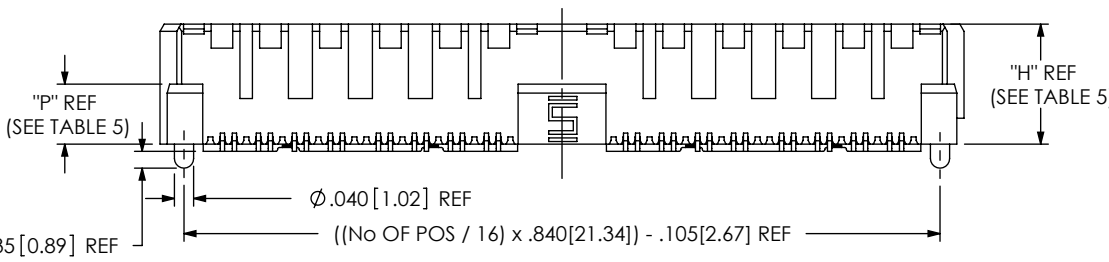
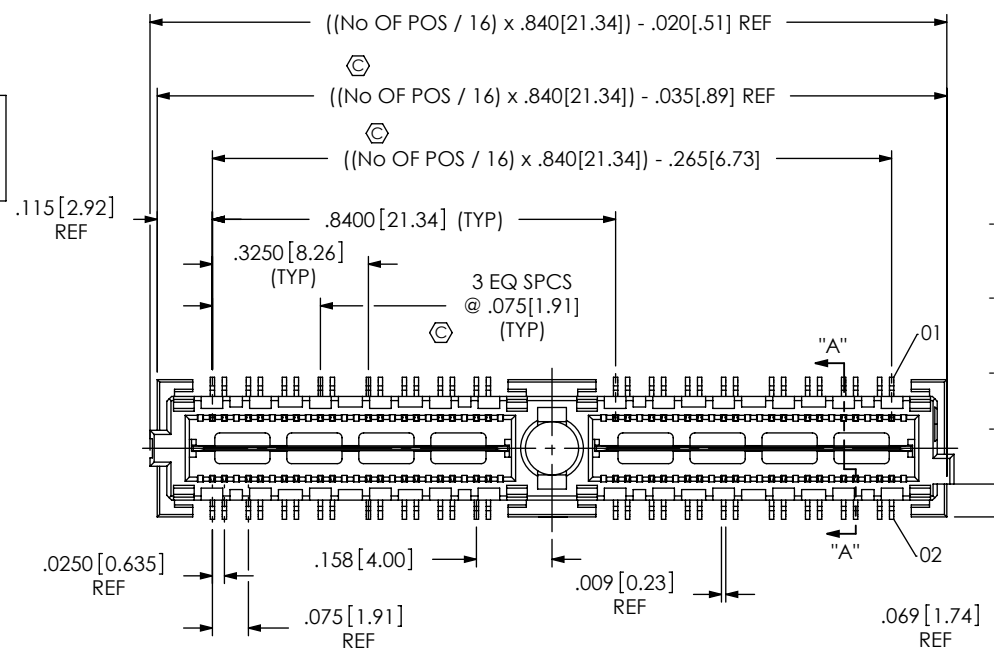


DO NOT SCALE FROM THIS PRINT



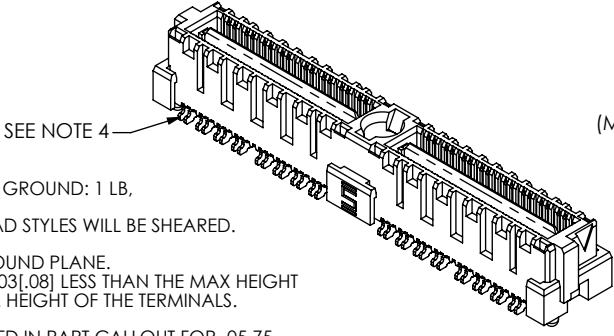
LEAD STYLE	"H"	"J"	"P"	QMS BODY	QMS STACKER BODY	TERMINAL	GROUND PLANE	MATED TO QFS-XX-XX
-05.75	.212 [5.38]	.2268 [5.761]	.085 [2.16]	QMS-26-05.75-D-XX-A	N/A	T-1M 19-05.75-XX	T-1G 19-05.75-L	QFS-04.25 QFS-06.25
-06.75	.250 [6.35]	.2650 [6.731]	.125 [3.18]	QMS-26-06.75-D-XX-A	N/A	T-1M 19-06.75-XX	T-1G 19-06.75-L	QFS-04.25 QFS-06.25
** -09.75	.368 [9.35]	.3830 [9.728]	.085 [2.16]	QM SS-26-05.75-D-XX	QTSH-26-01-D-XX-A	T-1M 19-09.75-XX	T-1G 19-09.75-L	QFS-04.25 QFS-06.25

\*\* (SEE NOTE 10)

No OF POSITIONS	No OF BANKS	COPLANARITY
-016 THRU -048	1 THRU 3	.004 [10]
-064 AND *-080	4 AND 5	.006 [15]

\* = NOT TOOLED

- NOTES:
1.  $\odot$  REPRESENTS A CRITICAL DIMENSION.
  2. BURR ALLOWANCE: .0015 MAX.
  3. MINIMUM PUSHOUT FORCE: SIGNAL: .5 LB, GROUND: 1 LB, POWER: .5 LB, RF: .5 LB.
  4. ALL TERMINALS ON THE -05.75 & -06.75 LEAD STYLES WILL BE SHEARED.
  5. MAX VARIANCE OF .002.
  6. DIMENSION APPLIES TO CONTACTS & GROUND PLANE.
  7. GROUND PLANE PRESS HEIGHT MUST BE .003 [0.08] LESS THAN THE MAX HEIGHT OR .001 [0.03] GREATER THAN THE MINIMUM HEIGHT OF THE TERMINALS.
  8. PARTS TO BE PACKAGED IN TRAYS
  9. LEADSTYLES -10 AND -11 MAY BE SUBSTITUTED IN PART CALLOUT FOR -05.75 AND -06.75 ACCORDINGLY FOR EXISTING CUSTOMERS ONLY.
  10. FOR NEW APPLICATIONS REQUIRING THIS LEAD STYLE, PLEASE CONTACT SAMTEC INTERCONNECT PROCESSING GROUP.



**QMS-XXX-XX.XX-XX-D-DP-X-XXX-XX**

No OF PAIRS  
-016, -032, -048, -064, \*-080  
(PER ROW)

LEAD STYLE  
-05.75  
-06.75 (SEE FIG 1)  
\*\*-09.75 (SEE FIG 9, SHEET 6)

PLATING SPECIFICATION  
-H: 30μ" GOLD IN CONTACT AREA, 3μ" GOLD ON TAIL. (AVAILABLE ON -05.75 & -06.75 LEAD STYLE ONLY)  
-L: 10μ" GOLD IN CONTACT AREA, MATTE TIN ON TAIL. (AVAILABLE ON -05.75 & -06.75 LEAD STYLE ONLY)  
-S: 30μ" GOLD IN CONTACT AREA, MATTE TIN ON TAIL. (AVAILABLE ON -09.75 LEAD STYLE ONLY)  
-SL: 10μ" GOLD IN CONTACT AREA, MATTE TIN ON TAIL. (AVAILABLE ON -09.75 LEAD STYLE ONLY)

PACKAGING OPTION  
-TR: TAPE & REEL (-016 THRU -048 WITH NO OPTIONS)  
(-016 & -032 WITH -GP, -PXX, -RF1, -RT1)  
(-016 WITH -RF2)

OPTION  
-GP: GUIDE POSTS (SEE FIG 3, SHEET 2)  
-K: KAPTON PAD (SEE FIG 2, SHEET 2)  
-PC4: POWER COMBO 4 (.062" THICK BOARD) (SEE FIG 5, SHEET 3)  
-PC8: POWER COMBO 8 (.062" THICK BOARD) (SEE FIG 5, SHEET 3)  
-PT4: POWER COMBO 4 (.093" THICK BOARD) (5.75 STACKER HEIGHT) (SEE FIG 5, SHEET 3)  
-PT8: POWER COMBO 8 (.093" THICK BOARD) (SEE FIG 5, SHEET 3)  
-RF1: 1 RF POS PER END (SEE FIG 6, SHEET 4)  
-RF2: 2 RF POS PER END (SEE FIG 7, SHEET 4)  
-RT1: 1 RT POS PER END (SEE FIG 8, SHEET 5)

ROW SPECIFICATION  
-D: DOUBLE  
-DP: DIFFERENTIAL PAIRS

OPTION  
-A: ALIGNMENT PIN

**\* = NOT TOOLED**  
(END OPTION APPLIES TO BOTH ENDS, COMBINATIONS ARE NOT AVAILABLE)  
(-PXX & -RFX NOT AVAILABLE IN COMBINATION WITH -A, -GP, OR -K)  
(-PXX & -RFX AVAILABLE IN POS -016, -032, & -048 ONLY)  
(-RFX & -RT1 AVAILABLE IN -05.75 LEAD STYLE ONLY)  
(-RT1 AVAILABLE IN POS -016, -032, \*\* -048 & \*\* -064 WITH -A OPTION ONLY)

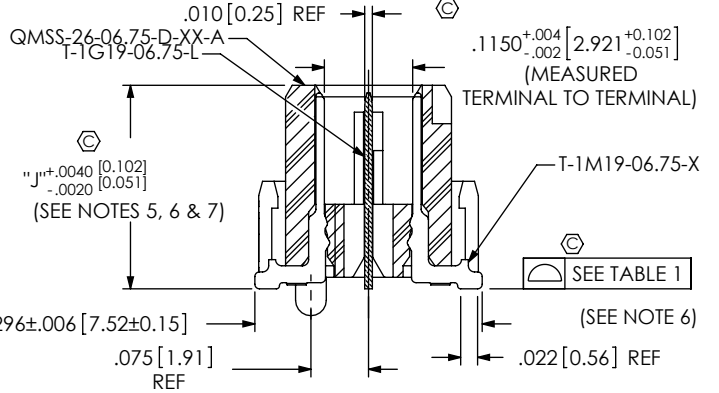


FIG 1  
-06.75 LEAD STYLE  
(QMS-032-06.75-XX-D-DP-A SHOWN)  
(MATED HEIGHT WITH QFS-04.25: .433 [11.00] REF)

SECTION "A"-A"  
SCALE 4.5 : 1

<p>UNLESS OTHERWISE SPECIFIED, DIMENSIONS ARE IN INCHES.</p> <p>TOLERANCES ARE:</p> <p>DECIMALS ANGLES</p> <p>.XX: ±.01 [3] 2°</p> <p>.XXX: ±.005 [13]</p> <p>.XXXX: ±.0020 [051]</p>	<p>PROPRIETARY NOTE</p> <p>THIS DOCUMENT CONTAINS INFORMATION CONFIDENTIAL AND PROPRIETARY TO SAMTEC, INC. AND SHALL NOT BE REPRODUCED OR TRANSFERRED TO OTHER DOCUMENTS OR DISCLOSED TO OTHERS OR USED FOR ANY PURPOSE OTHER THAN THAT WHICH IT WAS OBTAINED WITHOUT THE EXPRESSED WRITTEN CONSENT OF SAMTEC, INC.</p>	<p>520 PARK EAST BLVD, NEW ALBANY, IN 47150 PHONE: 812-944-6733 FAX: 812-948-5047 e-Mail: info@SAMTEC.com code: 53322</p>

REVISION AA

IN-PROCESS 1

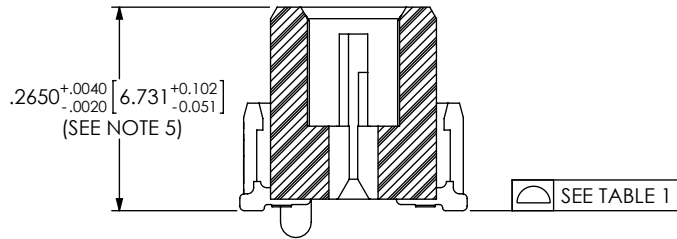
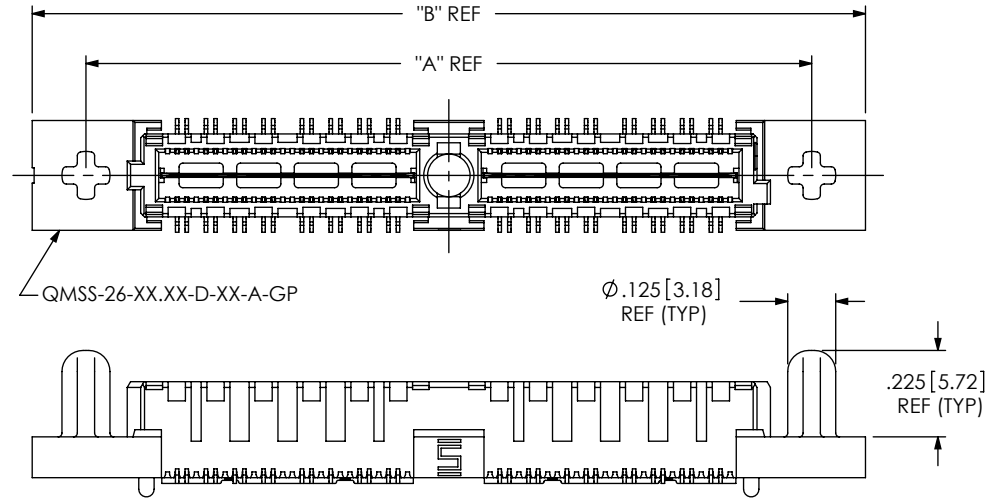


FIG 3

-GP: GUIDE POST OPTION  
(QMS-032-06.75-XX-D-DP-A-GP SHOWN)  
(AVAILABLE ON -.05.75 & -.06.75 LEAD STYLES ONLY)



TERMINAL DETAILS

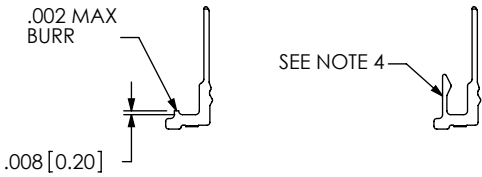
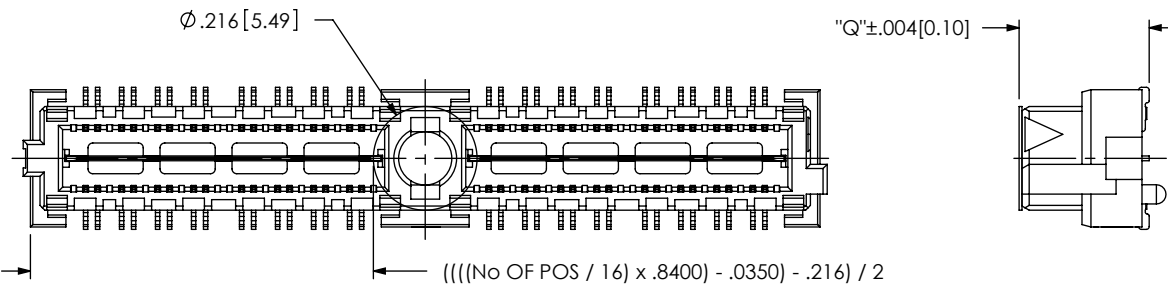


FIG 2

-K: KAPTON PAD OPTION  
(USE K-500-300)  
(USE K-DOT-.217-.313-.005 FOR -GP OPTION, NOT APPROVED  
FOR VISION INTEGRATED KAPTON APPLICATION)  
(QMS-032-06.75-XX-D-DP-A-K SHOWN)



LEAD STYLE	"Q"
-.05.75	.233 [5.91]
-.06.75	.271 [6.88]

ASSEMBLY	"A"	"B"
QMS-016-XX XX-XX-D-DP-A-GP	1.050[26.67]	1.330[33.78]
QMS-032-XX XX-XX-D-DP-A-GP	1.890[48.00]	2.170[55.12]
QMS-048-XX XX-XX-D-DP-A-GP	2.730[69.34]	3.010[76.45]
QMS-064-XX XX-XX-D-DP-A-GP	3.570[90.68]	3.850[97.79]
*QMS-080-XX XX-XX-D-DP-A-GP	4.410[112.01]	4.690[119.13]

\* = NOT TOOLED

PROPRIETARY NOTE

THIS DOCUMENT CONTAINS INFORMATION CONFIDENTIAL AND PROPRIETARY TO SAMTEC, INC. AND SHALL NOT BE REPRODUCED OR TRANSFERRED TO OTHER DOCUMENTS OR DISCLOSED TO OTHERS OR USED FOR ANY PURPOSE OTHER THAN THAT WHICH IT WAS OBTAINED WITHOUT THE EXPRESSED WRITTEN CONSENT OF SAMTEC, INC.

DO NOT SCALE DRAWING

SHEET SCALE: 1:0.4



520 PARK EAST BLVD, NEW ALBANY, IN 47150  
PHONE: 812-944-6733 FAX: 812-948-5047  
e-Mail: info@SAMTEC.com code: 53322

DESCRIPTION:  
.635mm DIFFERENTIAL PAIRS TERMINAL STRIP

DWG. NO.  
QMS-XXX-XX.XX-XX-D-DP-X-XXX-XX

BY: BRATCHER 10-12-2010 SHEET 2 OF 6

FIG 5 -PXX OPTION  
 POWER COMBO OPTIONS  
 QMS-032-06.75-XX-D-DP-PC4 SHOWN  
 (SAME AS FIG. 1, UNLESS OTHERWISE STATED)  
 [NOT AVAILABLE WITH -A,-GP OR -K OPTION, AVAILABLE ON LEAD STYLES -05.75 & -06.75 ONLY]  
 (AVAILABLE ON -016, -032 & -048 POSITIONS ONLY)

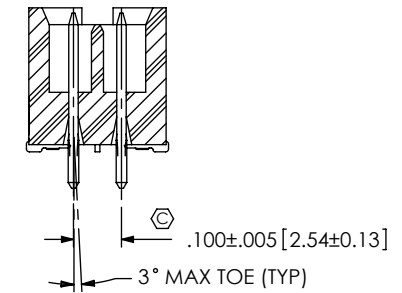
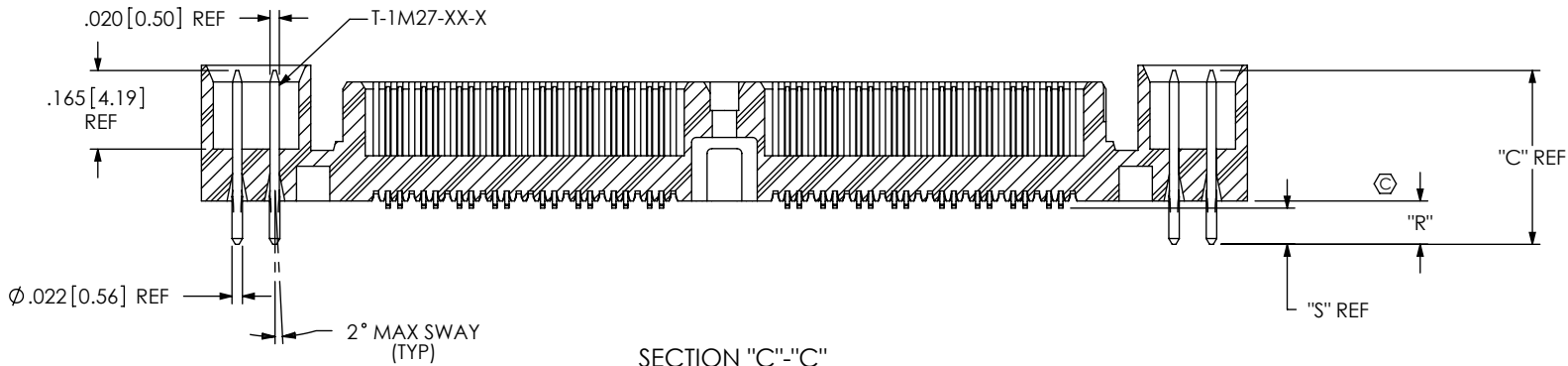
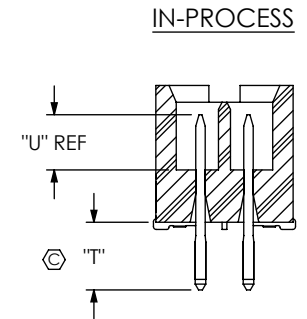
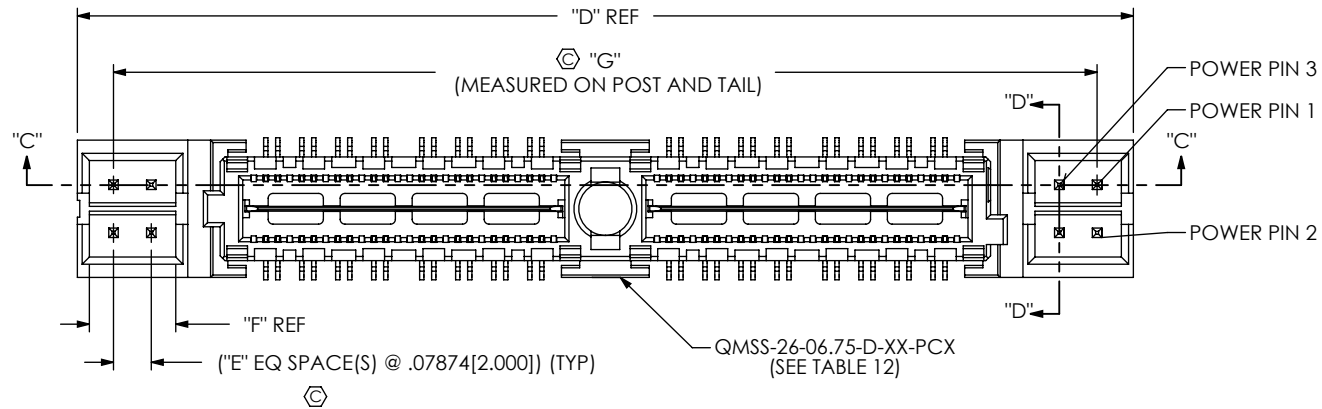


TABLE 10

ASSEMBLY	"D"	"E"	"F"	"G"
QMS-016-XX XX-XX-D-DP-X-PX4	1.360[34.54]	1	.180[4.57]	1.209[30.71]
QMS-016-XX XX-XX-D-DP-X-PX8	1.675[42.55]	3	.337[8.56]	1.524[38.71]
QMS-032-XX XX-XX-D-DP-X-PX4	2.200[55.88]	1	.180[4.57]	2.049[52.04]
QMS-032-XX XX-XX-D-DP-X-PX8	2.515[63.88]	3	.337[8.56]	2.364[60.05]
QMS-048-XX XX-XX-D-DP-X-PX4	3.040[77.22]	1	.180[4.57]	2.889[73.38]
QMS-048-XX XX-XX-D-DP-X-PX8	3.355[85.22]	3	.337[8.56]	3.204[81.38]

TABLE 12

LEAD STYLE	POWER OPTION	BODY
-06.75	PX4	QMS-26-06.75-D-XX-PC4
-06.75	PX8	QMS-26-06.75-D-XX-PC8
-05.75	PX4	QMS-26-05.75-D-XX-PC4
-05.75	PX8	QMS-26-05.75-D-XX-PC8

TABLE 11

LEAD STYLE	POWER OPTION	TERMINAL	"C"	"R"	"S"	"T"	"U"
-06.75	PCX	T-1M27-01-S	.365[9.27]	.091[2.31]	.076[1.93]	.132[3.35]	.124[3.15]
-06.75	PTX	T-1M27-03-S	.400[10.16]	.126[3.20]	.111[2.82]	.132[3.35]	.159[4.04]
-05.75	PCX	T-1M27-02-S	.326[8.28]	.086[2.18]	.071[1.80]	.172[4.37]	.079[2.01]
-05.75	PTX	T-1M27-01-S	.365[9.27]	.125[3.18]	.110[2.79]	.172[4.37]	.118[3.00]

PROPRIETARY NOTE  
 THIS DOCUMENT CONTAINS INFORMATION  
 CONFIDENTIAL AND PROPRIETARY TO  
 SAMTEC, INC. AND SHALL NOT BE REPRODUCED  
 OR TRANSFERRED TO OTHER DOCUMENTS OR  
 DISCLOSED TO OTHERS OR USED FOR ANY  
 PURPOSE OTHER THAN THAT WHICH IT WAS  
 OBTAINED WITHOUT THE EXPRESSED WRITTEN  
 CONSENT OF SAMTEC, INC.

DO NOT SCALE DRAWING

SHEET SCALE: 1:0.4



520 PARK EAST BLVD, NEW ALBANY, IN 47150  
 PHONE: 812-944-6733 FAX: 812-948-5047  
 e-Mail: info@SAMTEC.com code: 55322

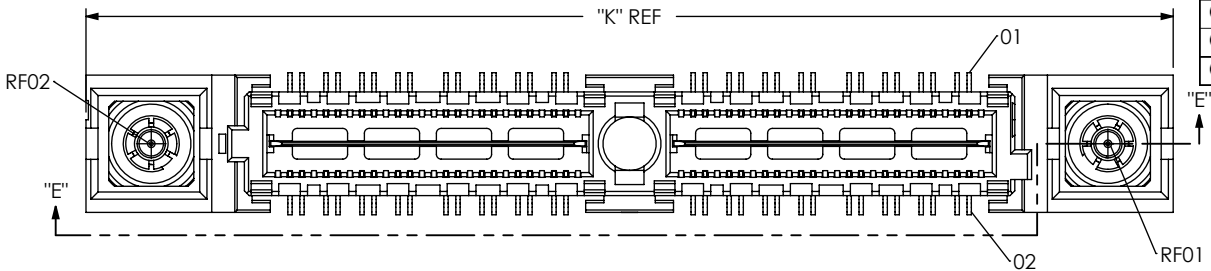
DESCRIPTION:  
 .635mm DIFFERENTIAL PAIRS TERMINAL STRIP

DWG. NO.  
 QMS-XXX-XX.XX-XX-D-DP-X-XXX-XX

BY: BRATCHER 10-12-2010 SHEET 3 OF 6

FIG 6: -RF1 OPTION

QMS-032-05.75-XX-D-DP-RF1 SHOWN  
 (SAME AS FIG. 1, UNLESS OTHERWISE STATED)  
 [NOT AVAILABLE WITH -A OR -GP OPTION, AVAILABLE ON LEAD STYLE -05.75 ONLY]  
 (AVAILABLE ON -016, -032 & -048 POSITIONS ONLY)



ASSEMBLY		TABLE 7	
BODY		"K"	"L"
QMS-016-05.75-XX-D-DP-RF1	QMSS-26-05.75-D-01-RF1	1.425[36.20]	1.153[29.29]
QMS-016-05.75-XX-D-DP-RF2	QMSS-26-05.75-D-01-RF2	1.925[48.90]	1.653[41.99]
QMS-032-05.75-XX-D-DP-RF1	QMSS-26-05.75-D-02-RF1	2.265[57.53]	1.993[50.62]
QMS-032-05.75-XX-D-DP-RF2	QMSS-26-05.75-D-02-RF2	2.765[70.23]	2.493[63.32]
QMS-048-05.75-XX-D-DP-RF1	QMSS-26-05.75-D-03-RF1	3.105[78.87]	2.833[71.96]
QMS-048-05.75-XX-D-DP-RF2	QMSS-26-05.75-D-03-RF2	3.605[91.57]	3.333[84.66]

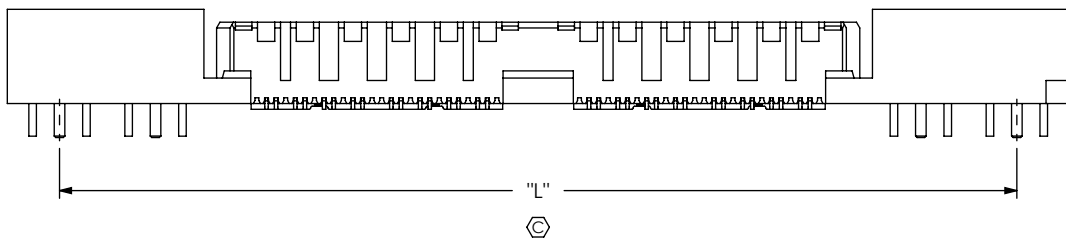
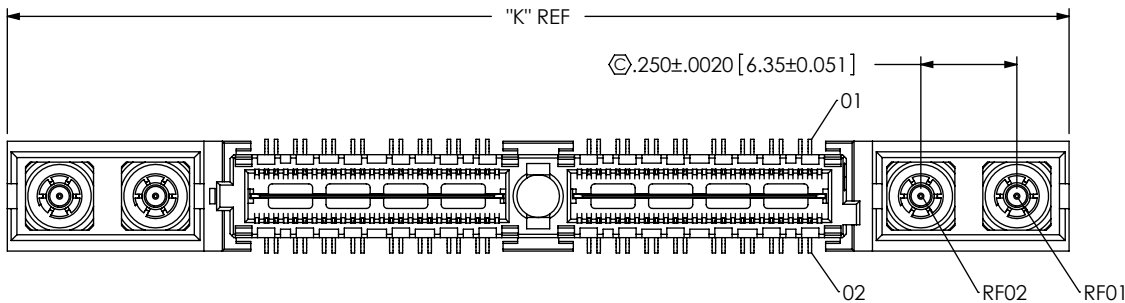
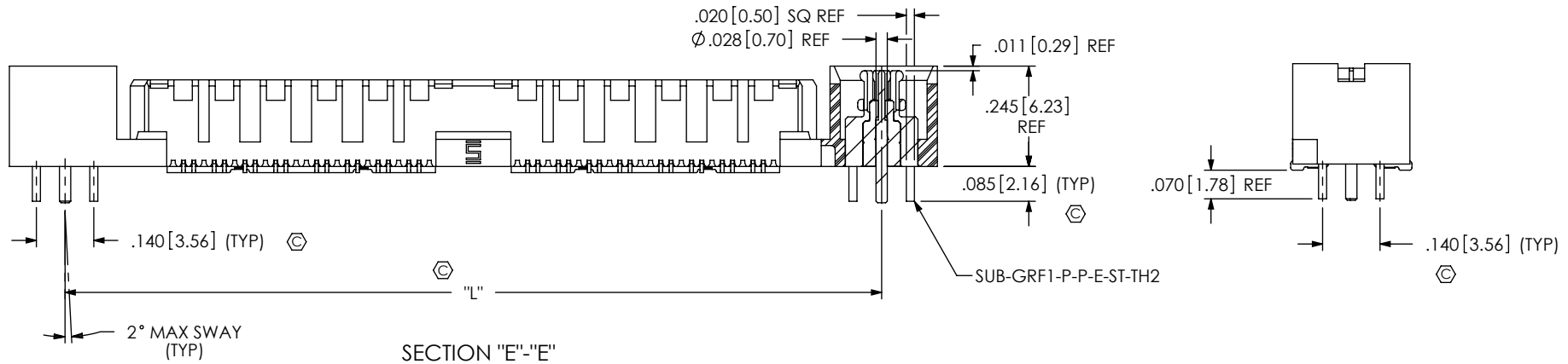


FIG 7: -RF2 OPTION  
 QMS-032-05.75-XX-D-DP-RF2 SHOWN  
 (SAME AS FIG. 6, UNLESS OTHERWISE STATED)  
 [NOT AVAILABLE WITH -A OR -GP OPTION, AVAILABLE ON LEAD STYLE -05.75 ONLY]  
 (AVAILABLE ON -016, -032 & -048 POSITIONS ONLY)

**PROPRIETARY NOTE**  
 THIS DOCUMENT CONTAINS INFORMATION CONFIDENTIAL AND PROPRIETARY TO SAMTEC, INC. AND SHALL NOT BE REPRODUCED OR TRANSFERRED TO OTHER DOCUMENTS OR DISCLOSED TO OTHERS OR USED FOR ANY PURPOSE OTHER THAN THAT WHICH IT WAS OBTAINED WITHOUT THE EXPRESSED WRITTEN CONSENT OF SAMTEC, INC.

DO NOT SCALE DRAWING

SHEET SCALE: 1:0.4

520 PARK EAST BLVD. NEW ALBANY, IN 47150  
 PHONE: 812-944-6733 FAX: 812-948-5047  
 e-Mail: info@SAMTEC.com code: 55322

DESCRIPTION:  
 .635mm DIFFERENTIAL PAIRS TERMINAL STRIP

DWG. NO.  
 QMS-XXX-XX.XX-XX-D-DP-X-XXX-XX

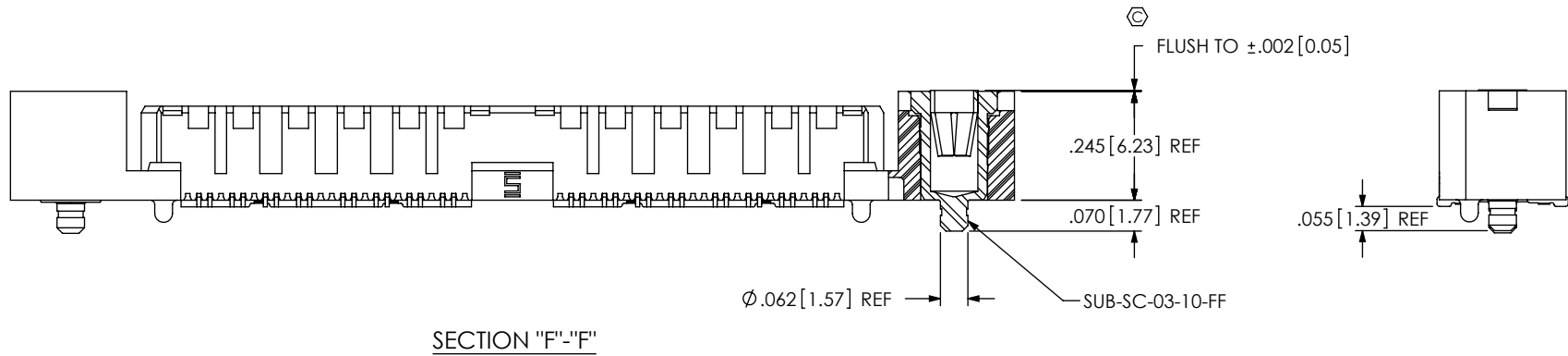
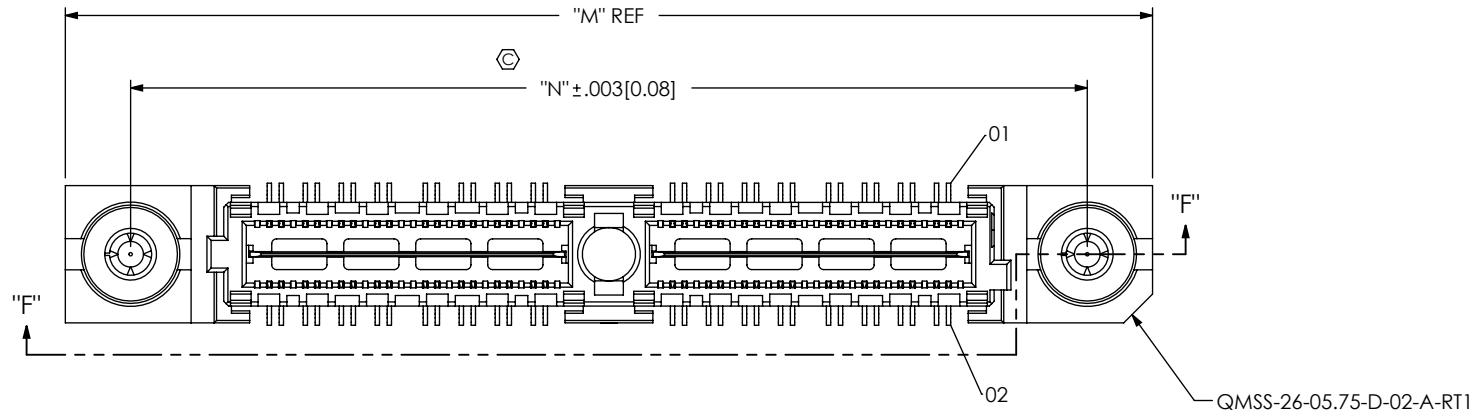
BY: BRATCHER 10-12-2010 SHEET 4 OF 6

FIG 8 -RT1 OPTION

QMS-032-05.75-XX-D-DP-A-RT1 SHOWN  
 (SAME AS FIG. 1, UNLESS OTHERWISE STATED)  
 [NOT AVAILABLE WITH -GP, -PCX OR -RFX OPTION, AVAILABLE ON LEAD STYLE -05.75 ONLY]  
 (AVAILABLE ON -016, -032, -048, & -064 POSITIONS WITH -A OPTION ONLY)

		TABLE 8	
ASSEMBLY	BODY	"M"	"N"
QMS-016-05.75-XX-D-DP-A-RT1	QMSS-26-05.75-D-01-A-RT1	1.425[36.20]	1.153[29.29]
QMS-032-05.75-XX-D-DP-A-RT1	QMSS-26-05.75-D-02-A-RT1	2.265[57.53]	1.993[50.62]
**QMS-048-05.75-XX-D-DP-A-RT1	QMSS-26-05.75-D-03-A-RT1	3.105[78.87]	2.833[71.96]
**QMS-064-05.75-XX-D-DP-A-RT1	QMSS-26-05.75-D-04-A-RT1	3.945[100.20]	3.673[93.29]


\*\* - NOT RELEASED



**PROPRIETARY NOTE**  
 THIS DOCUMENT CONTAINS INFORMATION CONFIDENTIAL AND PROPRIETARY TO SAMTEC, INC. AND SHALL NOT BE REPRODUCED OR TRANSFERRED TO OTHER DOCUMENTS OR DISCLOSED TO OTHERS OR USED FOR ANY PURPOSE OTHER THAN THAT WHICH IT WAS OBTAINED WITHOUT THE EXPRESSED WRITTEN CONSENT OF SAMTEC, INC.

DO NOT SCALE DRAWING

SHEET SCALE: 1:0.4



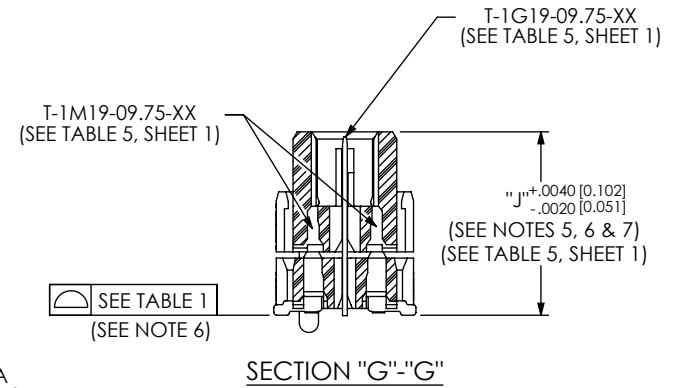
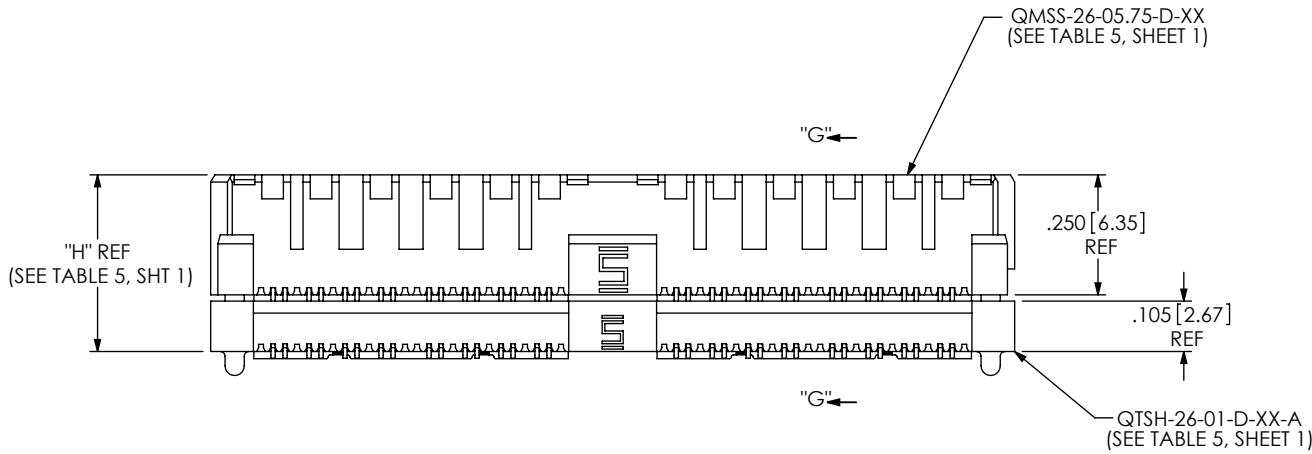
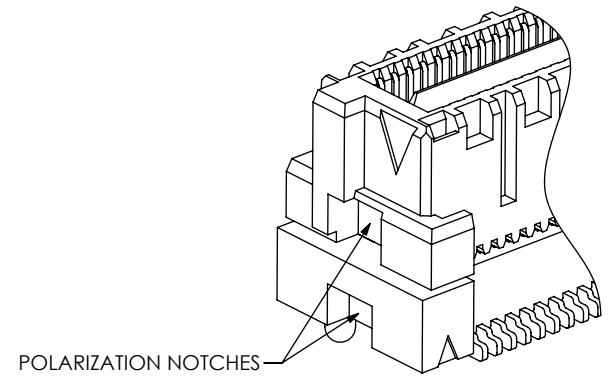
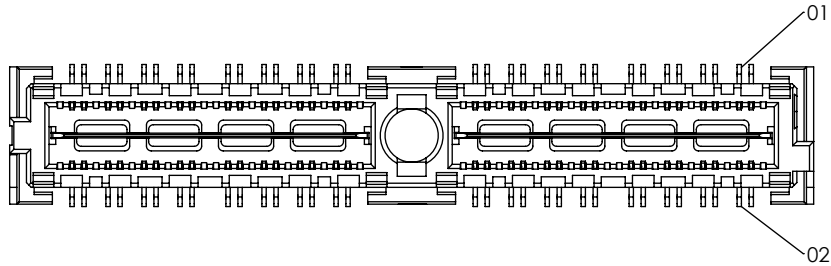
520 PARK EAST BLVD, NEW ALBANY, IN 47150  
 PHONE: 812-944-6733 FAX: 812-948-5047  
 e-Mail: info@SAMTEC.com code: 55322

DESCRIPTION:  
 .635mm DIFFERENTIAL PAIRS TERMINAL STRIP

DWG. NO.  
 QMS-XXX-XX.XX-XX-D-DP-X-XXX-XX

BY: BRATCHER 10-12-2010 SHEET 5 OF 6

FIG 9  
 \*\*.09.75 LEAD STYLE  
 (QMS-032-09.75-XX-D-DP-A SHOWN)  
 (SAME AS FIG. 1, EXCEPT AS SHOWN)



**PROPRIETARY NOTE**  
 THIS DOCUMENT CONTAINS INFORMATION  
 CONFIDENTIAL AND PROPRIETARY TO  
 SAMTEC, INC. AND SHALL NOT BE REPRODUCED  
 OR TRANSFERRED TO OTHER DOCUMENTS OR  
 DISCLOSED TO OTHERS OR USED FOR ANY  
 PURPOSE OTHER THAN THAT WHICH IT WAS  
 OBTAINED WITHOUT THE EXPRESSED WRITTEN  
 CONSENT OF SAMTEC, INC.

DO NOT SCALE DRAWING

SHEET SCALE: 1:0.4

<b>samtec</b>	
520 PARK EAST BLVD, NEW ALBANY, IN 47150 PHONE: 812-944-6733 FAX: 812-948-5047 e-Mail: info@SAMTEC.com code: 55322	
DESCRIPTION: .635mm DIFFERENTIAL PAIRS TERMINAL STRIP	
DWG. NO. QMS-XXX-XX.XX-XX-D-DP-X-XXX-XX	
BY: BRATCHER 10-12-2010	SHEET 6 OF 6