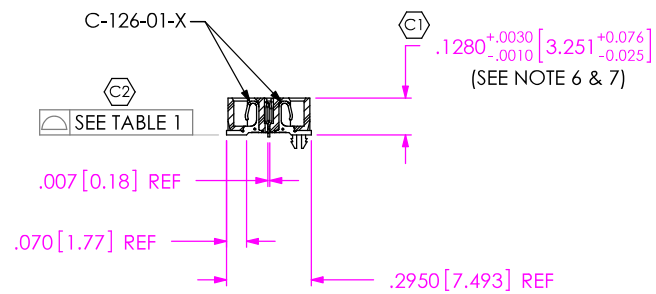
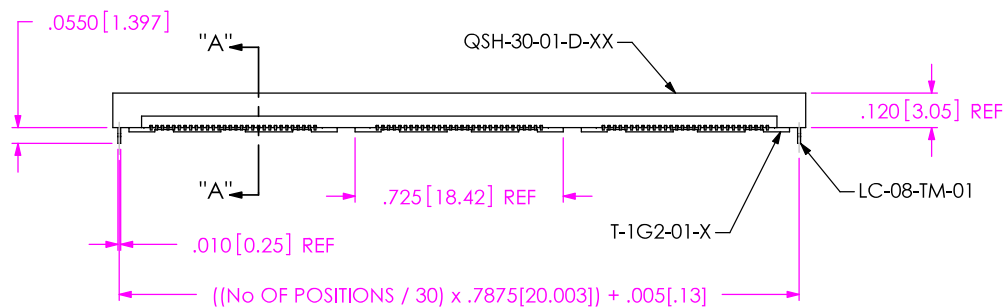
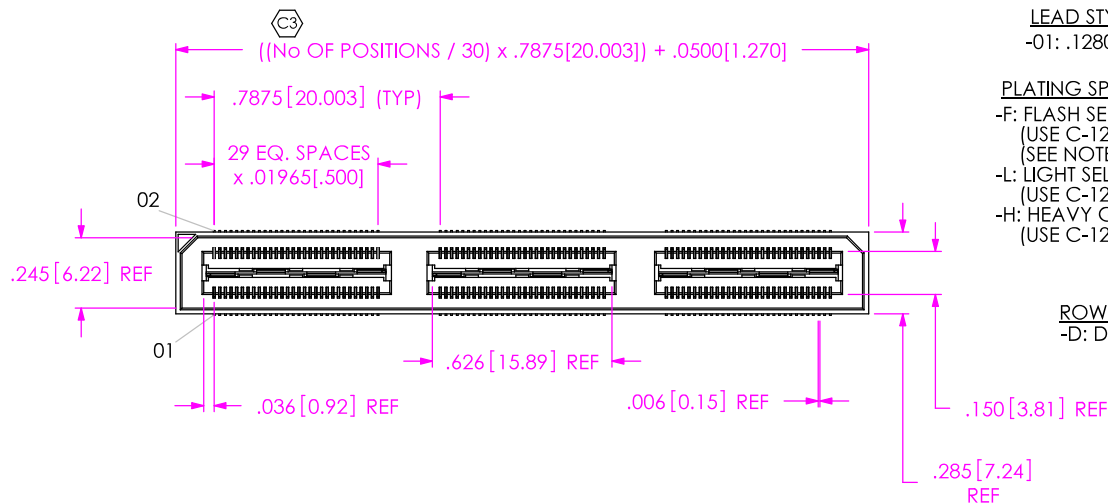


**FIG. 1**

-LC: LOCKING CLIP OPTION SHOWN



SECTION "A"- "A"

- NOTES:
1. (C) REPRESENTS A CRITICAL DIMENSION.
  2. NOTE DELETED.
  3. CONTACT RETENTION: 8 OZ. MINIMUM.
  4. GROUND PLANE RETENTION: 8 OZ. MINIMUM.
  5. BURR ALLOWANCE: .0015[.038] MAX.
  6. MAX VARIANCE: .002[.05].
  7. DIMENSION APPLIES TO CONTACT & GROUND PLANE.
  8. -L PLATING CAN BE SUBSTITUTED FOR -F PLATING, -G PLATED GROUND PLANE CAN BE SUBSTITUTED FOR -F PLATED GROUND PLANE.
  9. SUB-SC-05-01-XX RETENTION TO BE 1.0 LBF IN BODY.

DO NOT SCALE FROM THIS PRINT

- No OF POSITIONS**  
-030, -060, -090, -120, -150 (PER ROW)
- LEAD STYLE**  
-01: .1280[3.25]
- PLATING SPECIFICATION**  
-F: FLASH SELECTIVE GOLD (USE C-126-01-F, T-1G2-01-F) (SEE NOTE 8)  
-L: LIGHT SELECTIVE GOLD (USE C-126-01-L, T-1G2-01-G)  
-H: HEAVY GOLD (USE C-126-01-H, T-1G2-01-G)
- ROW SPECIFICATION**  
-D: DOUBLE (USE QSH-30-01-D-XX)
- OPTION**  
-A: ALIGNMENT PINS (USE QSH-30-01-D-XX-A, SEE FIG. 2)  
-LC: LOCKING CLIPS (USE LC-08-TM-01)  
-GP: GUIDE POSTS (USE QSH-30-01-D-XX-X-GP) (SEE FIG. 4, SHEET 3) (TAPE & REEL FOR -GP, 60 POS MAX)  
-K: POLYAMIDE FILM PAD (USE K-850-650, SEE FIG. 3)  
-TR: TAPE & REEL (90 POS MAX)  
-TY: TRAY PACKAGING (NOT AVAILABLE WITH -TR)  
-FL: FRICTION LOCKS (SEE FIG. 5, SHEET 3) (NOT AVAILABLE WITH -GP)  
-RT1: RETENTION (MUST USE -A OPTION) (USE QSH-30-01-D-XX-A-RT1 & SUB-SC-05-01-FF) (SEE FIG. 6, SHEET 3) (NOT AVAILABLE WITH -LC, -GP, OR -FL) (NOT AVAILABLE WITH -120 & -150 POS)

No OF BANKS

R

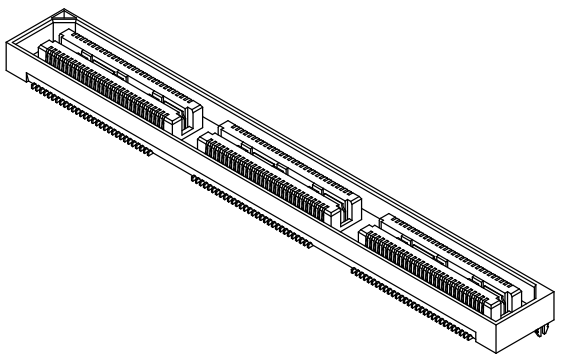


TABLE 1	
No OF POS	COPLANARITY INCLUDING GROUND PLANE
-030 THRU -060	.0040[.102]
-090 THRU -150	.0060[.152]

UNLESS OTHERWISE SPECIFIED, DIMENSIONS ARE IN INCHES. TOLERANCES ARE:  
DECIMALS ANGLES  
.XX: ±.01[.3] 2°  
.XXX: ±.005[.13]  
.XXXX: ±.0020[.051]

**PROPRIETARY NOTE**  
THIS DOCUMENT CONTAINS INFORMATION CONFIDENTIAL AND PROPRIETARY TO SAMTEC, INC. AND SHALL NOT BE REPRODUCED OR TRANSFERRED TO OTHER DOCUMENTS OR DISCLOSED TO OTHERS OR USED FOR ANY PURPOSE OTHER THAN THAT WHICH IT WAS OBTAINED WITHOUT THE EXPRESSED WRITTEN CONSENT OF SAMTEC, INC.

**SAMTEC**

520 PARK EAST BLVD. NEW ALBANY, IN 47150  
\* PHONE: 812.944.6733 FAX: 812.948.5047  
e-Mail: [INFO@SAMTEC.COM](mailto:INFO@SAMTEC.COM) CODE: 55322

<b>MATERIAL:</b> DO NOT SCALE DRAWING	SHEET SCALE: 1.5:1	DESCRIPTION: .5mm DOUBLE ROW HS SOCKET ASSEMBLY
INSULATOR: BLACK LCP	CONTACT & GROUND PLANE: PHOS BRONZE	DWG. NO. QSH-XXX-01-X-D-XX
F:\DWG\MISC\MKTG\QSH-XXX-01-X-D-XX-MKT.SLDDRW		BY: DEAN P 05/21/1999 SHEET 1 OF 3

FIG. 2  
-A: ALIGNMENT PIN OPTION

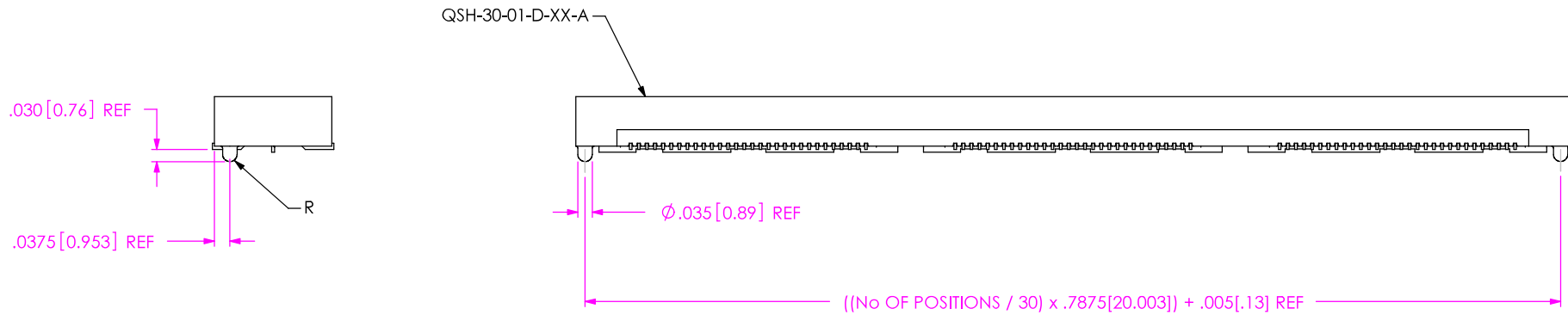
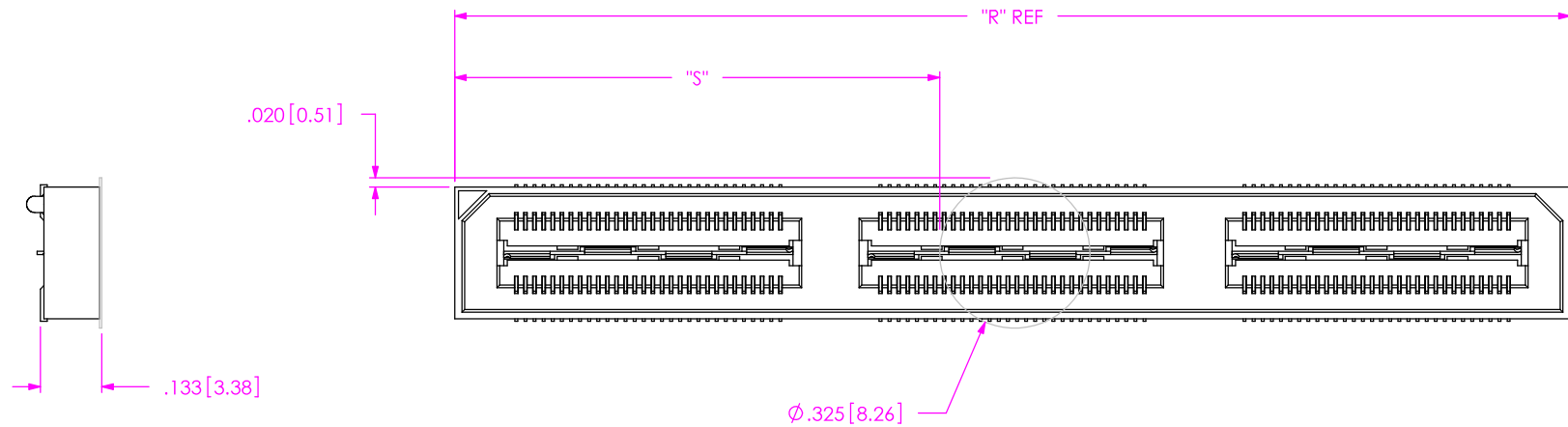


FIG. 3  
-K: POLYAMIDE FILM PAD  
[USE K-850-650]



NOTE: "R" = ((No OF POSITIONS / 30) x .7875 [20.003]) + .050 [1.27]  
"S" = (("R" - .325 [8.26]) / 2) ± .020 [0.51]

**PROPRIETARY NOTE**  
THIS DOCUMENT CONTAINS INFORMATION CONFIDENTIAL AND PROPRIETARY TO SAMTEC, INC. AND SHALL NOT BE REPRODUCED OR TRANSFERRED TO OTHER DOCUMENTS OR DISCLOSED TO OTHERS OR USED FOR ANY PURPOSE OTHER THAN THAT WHICH IT WAS OBTAINED WITHOUT THE EXPRESSED WRITTEN CONSENT OF SAMTEC, INC.

DO NOT SCALE DRAWING

SHEET SCALE: 2.5:1

**SAMTEC**

520 PARK EAST BLVD, NEW ALBANY, IN 47150  
\* PHONE: 812.944.6733 FAX: 812.948.5047  
e-Mail: [INFO@SAMTEC.COM](mailto:INFO@SAMTEC.COM) CODE: 55322

DESCRIPTION:  
.5mm DOUBLE ROW HS SOCKET ASSEMBLY

DWG. NO.  
QSH-XXX-01-X-D-XX

BY: DEAN P 05/21/1999 SHEET 2 OF 3

FIG. 4

-GP: GUIDE POSTS  
(SAME AS FIG. 1, UNLESS OTHERWISE STATED)

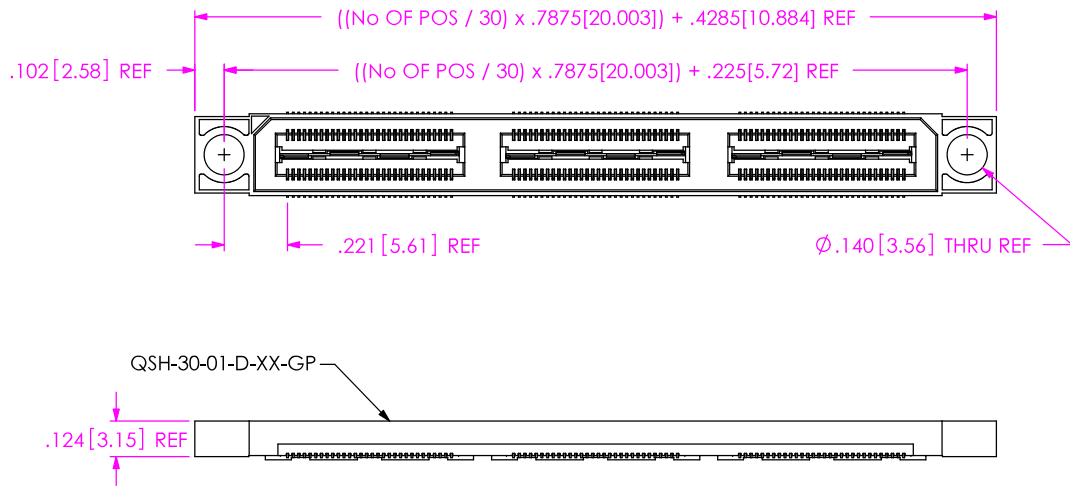
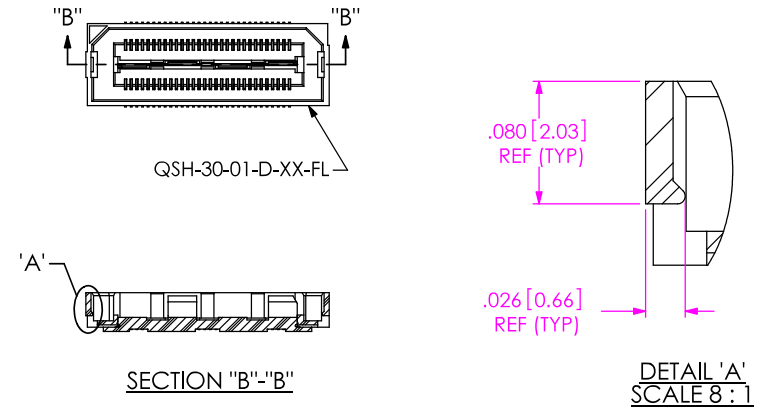
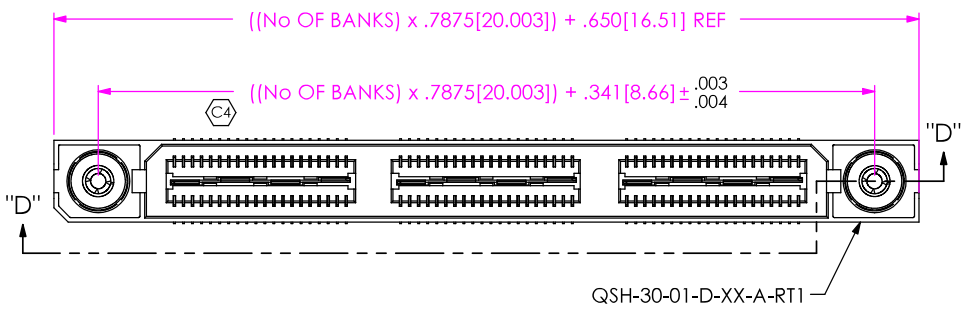


FIG. 5

-FL: FRICTION LOCKS  
(NOT AVAILABLE WITH -GP OPTION)  
(SAME AS FIG. 1, UNLESS OTHERWISE STATED)



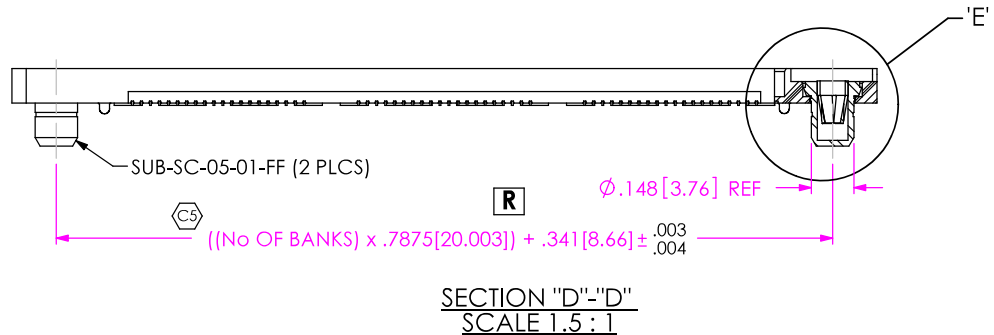
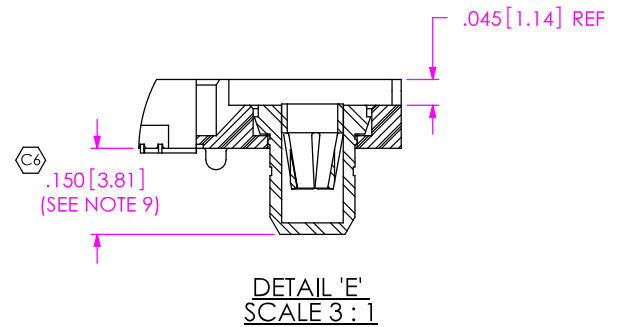
R



R

FIG. 6

-RT1: RETENTION OPTION  
(MUST USE -A OPTION)  
(NOT AVAILABLE WITH -LC, -GP, OR -FL OPTIONS)  
(NOT AVAILABLE WITH -120 & -150 POS)  
(SAME AS FIG. 1, UNLESS OTHERWISE STATED)



<p><b>PROPRIETARY NOTE</b> THIS DOCUMENT CONTAINS INFORMATION CONFIDENTIAL AND PROPRIETARY TO SAMTEC, INC. AND SHALL NOT BE REPRODUCED OR TRANSFERRED TO OTHER DOCUMENTS OR DISCLOSED TO OTHERS OR USED FOR ANY PURPOSE OTHER THAN THAT WHICH IT WAS OBTAINED WITHOUT THE EXPRESSED WRITTEN CONSENT OF SAMTEC, INC.</p> <p>DO NOT SCALE DRAWING</p> <p>SHEET SCALE: 1.5:1</p>	<h1>SAMTEC</h1>	
	<p>520 PARK EAST BLVD, NEW ALBANY, IN 47150 * PHONE: 812.944.6733 FAX: 812.948.5047 e-Mail: <a href="mailto:INFO@SAMTEC.COM">INFO@SAMTEC.COM</a> CODE: 55322</p>	
	<p>DESCRIPTION: .5mm DOUBLE ROW HS SOCKET ASSEMBLY</p>	
	<p>DWG. NO. <b>QSH-XXX-01-X-D-XX</b></p>	
<p>BY: DEAN P 05/21/1999 SHEET 3 OF 3</p>		