

REVISION AZ

DIMENSIONS ARE IN INCHES UNLESS OTHERWISE NOTED		TOLERANCES ARE:	TITLE: TERMINAL STRIP ASSEMBLY	DWG NO: TX-1XX-X-X
ONE PLACE DECIMALS ±	THREE PLACE DECIMALS ±	ANGLES ± 2°		
TWO PLACE DECIMALS ±	FOUR PLACE DECIMALS ±			SHEET 1 OF 4

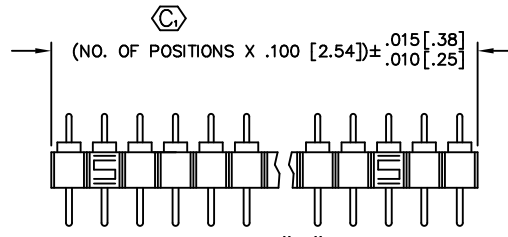
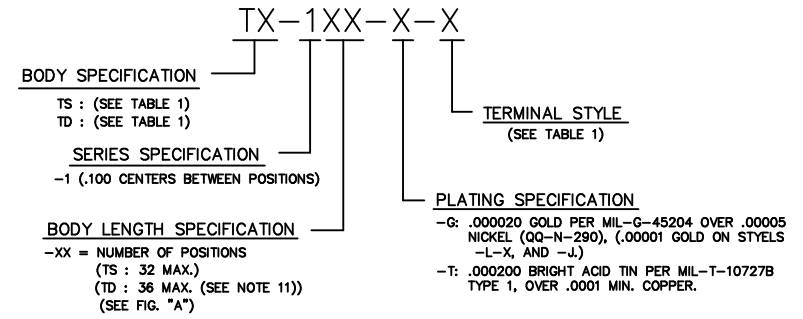


FIG. "A"

TABLE 1

TERMINAL STYLE	TERMINAL/BODY SPECIFICATION				FIG.	SHEET
	TS: SINGLE	TS BODY	TD: DOUBLE	TD BODY		
-AA	T-1R5-X	SEE NOTE 7	T-1R5-X	SEE NOTE 6	1	2
-A	T-1R0-X	SEE NOTE 7	T-1R0-X	SEE NOTE 6	2	2
-A-1	T-1R7-1-X	SEE NOTE 7	T-1R7-1-X	SEE NOTE 6	3	2
-A-2	T-1R7-2-X	SEE NOTE 7	T-1R7-2-X	SEE NOTE 6	4	2
-B	T-1R1-X	SEE NOTE 10	T-1R1-X	SEE NOTE 6	5	2
-B-2	T-1R8-2-X	SEE NOTE 7	T-1R8-2-X	SEE NOTE 6	7	2
-C	T-1R2-X	SEE NOTE 7	T-1R2-X	SEE NOTE 6	8	2
-C-1	T-1R9-1-X	SEE NOTE 7	T-1R9-1-X	SEE NOTE 6	9	2
-C-2	T-1R9-2-X	SEE NOTE 7	T-1R9-2-X	SEE NOTE 6	10	2
-D-1-1	T-1S4-1-1-X	SEE NOTE 7	T-1S4-1-1-X	SEE NOTE 6	11	3
-D-1-2	T-1S4-1-2-X	SEE NOTE 7	T-1S4-1-2-X	SEE NOTE 6	12	3
-E	T-1R12-X	SEE NOTE 7	N/A		17	3
-G-1	T-1R5-1-X	SEE NOTE 7	T-1R5-1-X	SEE NOTE 6	19	3
-J	S-1P1-X	SEE NOTE 8	S-1P1-X	DSB-36	21	4
-K	T-1R12-X	SEE NOTE 7	T-1R12-X	SEE NOTE 6	22	4
-L-1	S-1W1-1-X	SEE NOTE 8	S-1W1-1-X	DSB-36	23	4
-L-2	S-1W1-2-X	SEE NOTE 8	S-1W1-2-X	DSB-36	24	4
-L-3	S-1W1-3-X	SEE NOTE 8	S-1W1-3-X	DSB-36	25	4
-N	T-1R5-1-X	SEE NOTE 7	N/A		27	4
-Q-3 *	S-1W1-3-X	SEE NOTE 7	N/A		29	4

N/A = NOT AVAILABLE * STYLE -Q-3 AVAILABLE ONLY AS A COMPONENT OF CSP/25 CABLE ASSEMBLIES.



BODY SPEC.	LEAD STYLE	TUBE	PLUG
TS	A-1, A-2, A, AA, B, C, H, G-1	PT-1-24-01-24	TP-24
	J	PT-1-24-01-23	TP-12
	D-1-2	PT-1-24-02-03	TP-24
TD	D-1-1	PT-1-24-10-03	TP-03
	A-1	PT-1-24-05-17	TP-07
	A-2	PT-1-24-02-46	
	A, AA	PT-1-24-01-22	TP-03
	J	PT-1-24-01-14	

- NOTE:
- SEE COMPONENT PRINT FOR MAXIMUM ALLOWABLE BOW.
 - MINIMUM PUSHOUT FORCE = 5 LBS.
 - MAXIMUM ALLOWABLE TOE IN/OUT OF TERMINALS = ± 2°.
 - MAX ALLOWABLE FLASH AFTER REMOVAL OF CROSS BARS: .005 [.13]
 - Ⓞ REPRESENTS A CRITICAL DIMENSION.
 - USE DSB-36 AND FILL WITH COUNTERBORE DOWN.
 - USE TBS-32 AND FILL WITH COUNTERBORE UP.
 - USE SSB-XX AND FILL WITH COUNTERBORE UP.
 - FOR LEAD STYLES PACKAGED IN TUBES: PACKAGE -05 THRU -36 POSITIONS IN TUBES; LAYER PACKAGE SMALLER POSITIONS.
 - USE SSB-XX AND FILL WITH COUNTERBORE DOWN.
 - FOR 1 POSITION TD ASSEMBLY, USE A TS-132 AND CUT TO A 2 POSITION.

PROPRIETARY NOTE
 THIS DOCUMENT CONTAINS INFORMATION CONFIDENTIAL AND PROPRIETARY TO SAMTEC INC. AND SHALL NOT BE REPRODUCED OR TRANSMITTED TO OTHER DOCUMENTS OR DISCLOSED TO OTHERS OR USED FOR ANY PURPOSE OTHER THAN THAT FOR WHICH IT WAS OBTAINED WITHOUT THE EXPRESSED WRITTEN CONSENT OF SAMTEC INC.

MATERIAL: INSULATOR: GLASS FILLED POLYESTER COLOR: BLACK TERMINAL: BRASS, EXCEPT STYLE G IS PHOSPHOR BRONZE	 520 PARK EAST BLVD. NEW ALBANY, INDIANA 47150 PHONE (812) 944-6733 P.O. BOX 1147 CODE 55322	EXISPROD\ASSEMBLY\100 TX-ASM1 MADE BY: L.W. 12/05/84 TX-1XX-X-X SHEET 1 OF 4
PLOT SCALE: 1=,1		