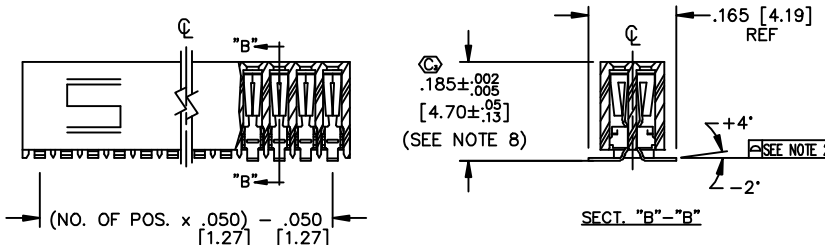
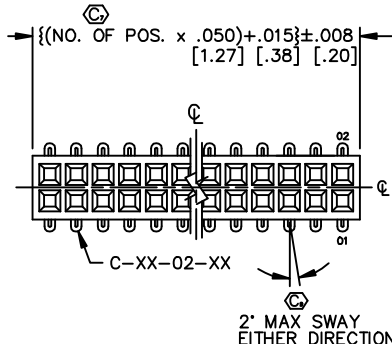
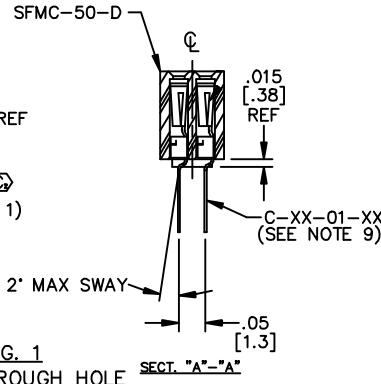


TABLE 1

SUFFIX	TAIL LENGTH "A"	TAIL WIDTH "B"
-X1	.120 [3.05]	.020 [.51]
-X3	.075 [1.91]	.016 [.41]



DIMENSIONS ARE IN INCHES UNLESS OTHERWISE NOTED
 TOLERANCES ARE:
 ONE PLACE DECIMALS ±.1 [3]
 TWO PLACE DECIMALS ±.01 [3]
 THREE PLACE DECIMALS ±.005 [13]
 FOUR PLACE DECIMALS ±.0020 [051]
 ANGLES ± 2°

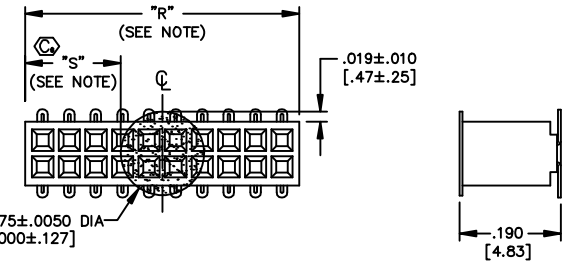
- SFMC-1XX-XX-XX-D-XX
- NO. OF POSITIONS
 ALL POSITIONS AVAILABLE
 -02 THRU -50
 USE BODY: (SFMC-50-D)
- LEAD STYLE
- 01: THROUGH HOLE (SEE FIGURE 1)
USE CONTACT: (C-44-01-XX)
 - 02: SURFACE MOUNT (SEE FIGURE 2)
USE CONTACT: (C-44-02-XX)
 - 03: STRAIGHT MODIFIED (SEE FIGURE 1)
USE CONTACT: (C-44-03-XX)
 - L1: THROUGH HOLE (LOW INSERTION)(SEE FIGURE 1)
USE CONTACT: (C-81-01-XX)
 - L2: SURFACE MOUNT (LOW INSERTION)(SEE FIGURE 2)
USE CONTACT: (C-81-02-XX)
 - L3: STRAIGHT MODIFIED (LOW INSERTION)(SEE FIGURE 1)
USE CONTACT: (C-81-03-XX)
 - T1: THROUGH HOLE (PHOS BRONZE)(SEE FIGURE 1)
USE CONTACT: (C-119-01-XX)
 - T2: SURFACE MOUNT (PHOS BRONZE)(SEE FIGURE 2)
USE CONTACT: (C-119-02-XX)

- OPTIONS
 (LEAVE BLANK FOR STANDARD)
 -P: PICK AND PLACE PAD (SEE FIGURE 3, SHT 2)
 USE PPP-02 (5 POSITIONS MINIMUM)
 -TR: TAPE & REEL (SEE FIG 4, SHT 2)
 -K: POLYAMIDE FILM PAD (.005 [13] THICKNESS WITH SILICONE ADHESIVE) (SEE FIG 4) (USE K-500-300) (4 POS MIN)
- BODY SPECIFICATION
 -D: DOUBLE ROW
- PLATING SPECIFICATION
 -S: SELECTIVE - SPECIFY -S IN PLATING SUFFIX -X
 -P: GOLD FLASHED PALLADIUM NICKEL - SPECIFY -P IN PLATING SUFFIX -X
 -F: FLASH SELECTIVE GOLD - SPECIFY -F IN PLATING SUFFIX -X
 -H: HEAVY GOLD - SPECIFY -H IN PLATING SUFFIX -X (ONLY AVAILABLE ON -02, -L2, & -T2 LEAD STYLES)
 -FM: FLASH SELECTIVE MATTE TIN TAIL - SPECIFY -F IN PLATING SUFFIX -X
 -SM: SELECTIVE MATTE TIN TAIL - SPECIFY -S IN PLATING SUFFIX -X
 -L: LIGHT SELECTIVE GOLD, MATTE TIN TAIL - SPECIFY -L IN PLATING SUFFIX -X

TABLE 2

LEAD STYLE & OPTION	PACKAGING TUBE	PLUG
-X1, -X3 (SEE NOTE 5)	PT-1-24-15-09	TP-24-02
-X2 (SEE NOTE 6)	PT-1-24-14-09	TP-24-02
-X2-K (SEE NOTE 6)	PT-1-24-14-09	TP-24-02
-X2-P (SEE NOTE 6)	PT-1-24-01-38	TP-24
-X1-K (SEE NOTE 6)	PT-1-24-02-29	TP-24
-X1-P, -X3-P (SEE NOTE 5)	PT-1-24-01-09	TP-24

- NOTES:
- MIN. PUSHOUT FORCE: .5 lb.
 - COPLANARITY: .004 [10] = POS 02 THRU 26
.006 [15] = POS 27 THRU 50
 - REPRESENTS CRITICAL DIMENSION.
 - USE SFMC-50-D BODY.
 - PACKAGE ALL POSITIONS OF THIS LEAD STYLE IN TUBES.
 - PACKAGE ONLY POSITIONS -04 THRU -50 IN TUBES;
LAYER PACKAGE POSITIONS -02 THRU -03.
 - CUT FLASH TO BE .010 MAX WITH NO FLASH EXTENDING BELOW LEADS OR IN HOLES OF BODY.
 - MAX HEIGHT VARIATION BETWEEN ANY TWO PINS TO BE .005 [08].
 - PINS CAN BE ORIENTED IN ANY DIRECTION; BOTH ROWS MUST FACE SAME WAY.



NOTE: "R" = USED MEASURED DIMENSION (REF)
 "S" = {("R" - .1575 [4.00]) / 2 } ± .020 [51]

MATERIAL:
 BODY:
 VECTRA E130
 COLOR: BLACK

CONTACTS:
 C-44 & C-66:
 #25 BeCu, 1/2 HARD
 AGE HARDENED
 C-119
 PHOS BRONZE 521

EXISPROD\ASSEMBLY\050
 SFMC-ASM

samtec

520 PARK EAST BLVD. NEW ALBANY, INDIANA 47150
 PHONE (812) 944-6733 P.O. BOX 1147
 CODE 55322

MADE BY: BRATCHER 10-5-94

SFMC-1XX-XX-XX-D-XX
 SHEET 1 OF 2

PROPRIETARY NOTE
 THIS DOCUMENT CONTAINS INFORMATION CONFIDENTIAL AND PROPRIETARY TO SAMTEC INC. AND SHALL NOT BE REPRODUCED OR TRANSFERRED TO OTHER DOCUMENTS OR DISCLOSED TO OTHERS OR USED FOR ANY PURPOSE OTHER THAN THAT FOR WHICH IT WAS OBTAINED WITHOUT THE EXPRESSED WRITTEN CONSENT OF SAMTEC INC.