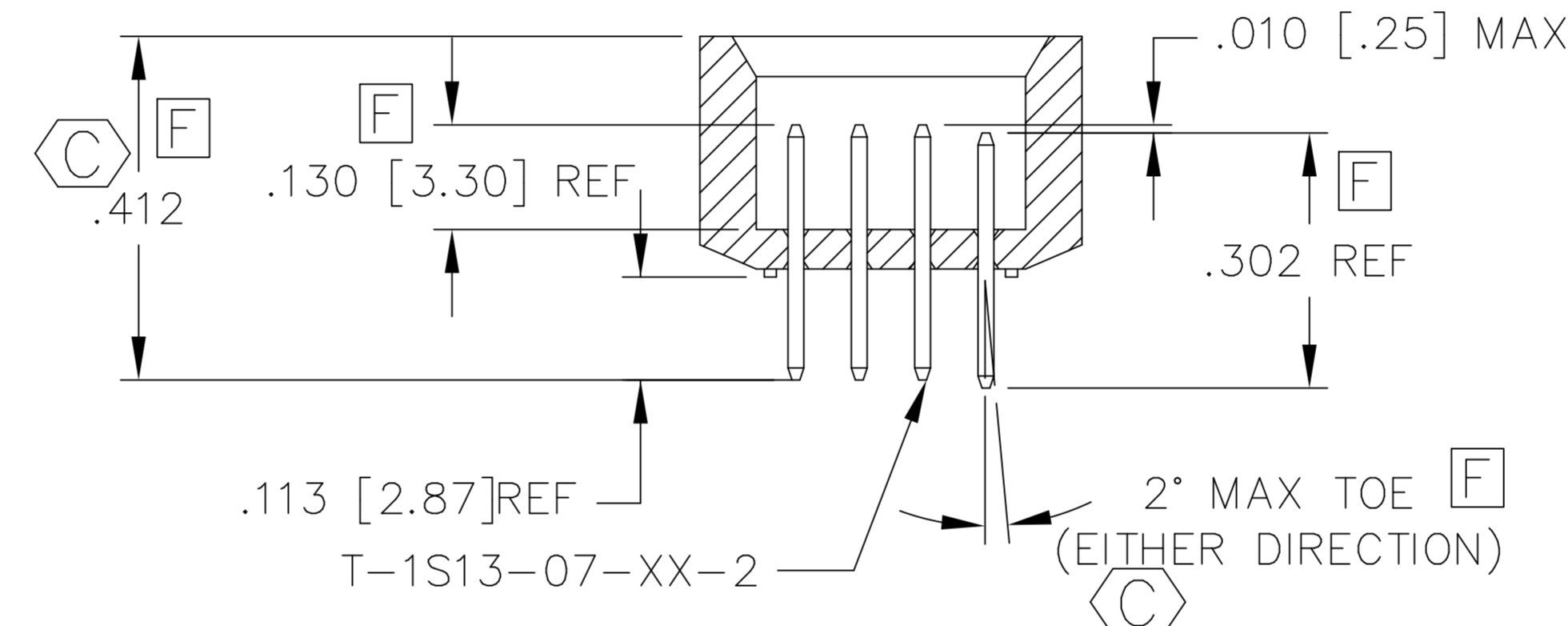
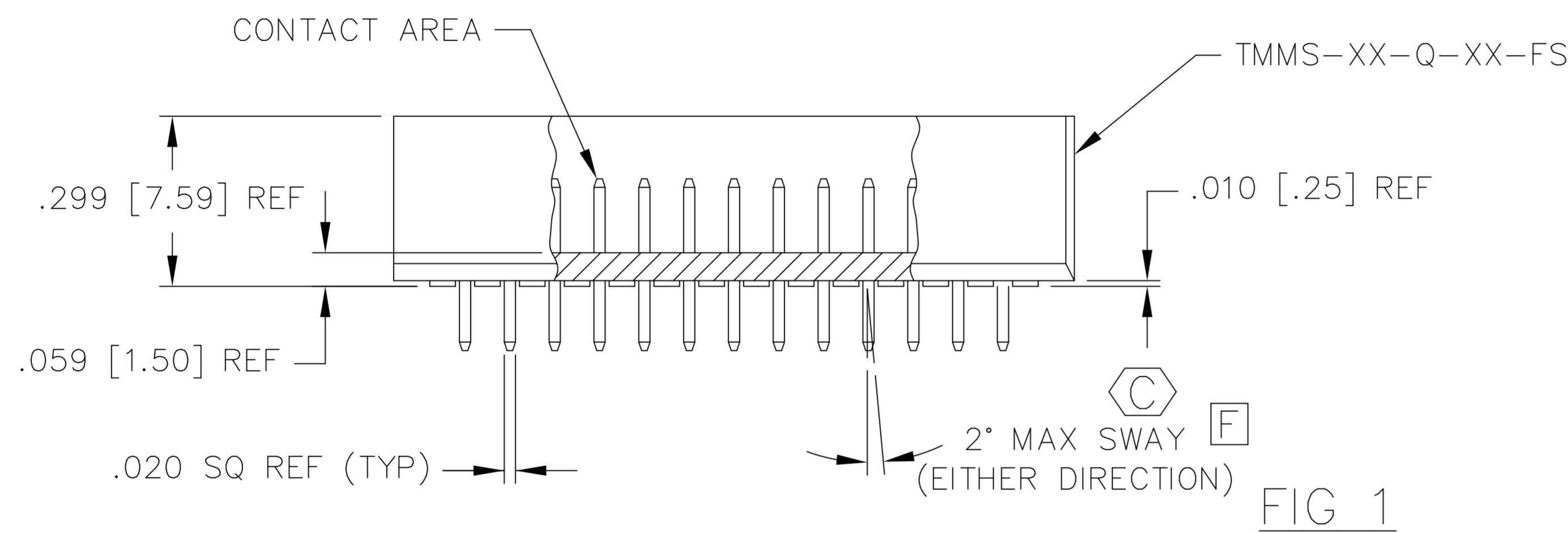
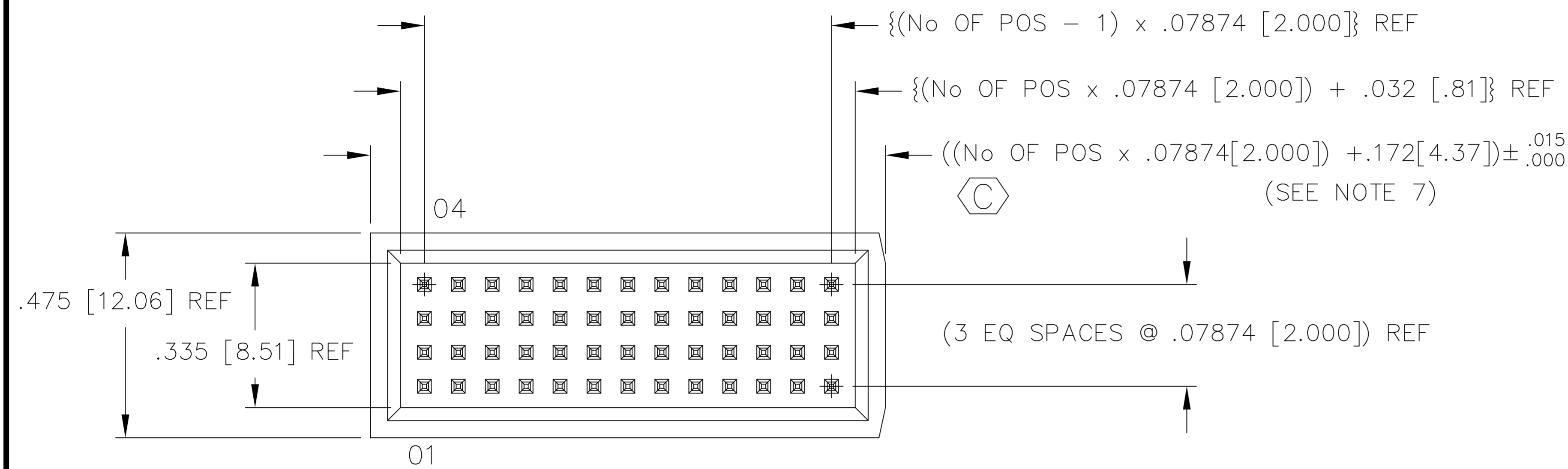


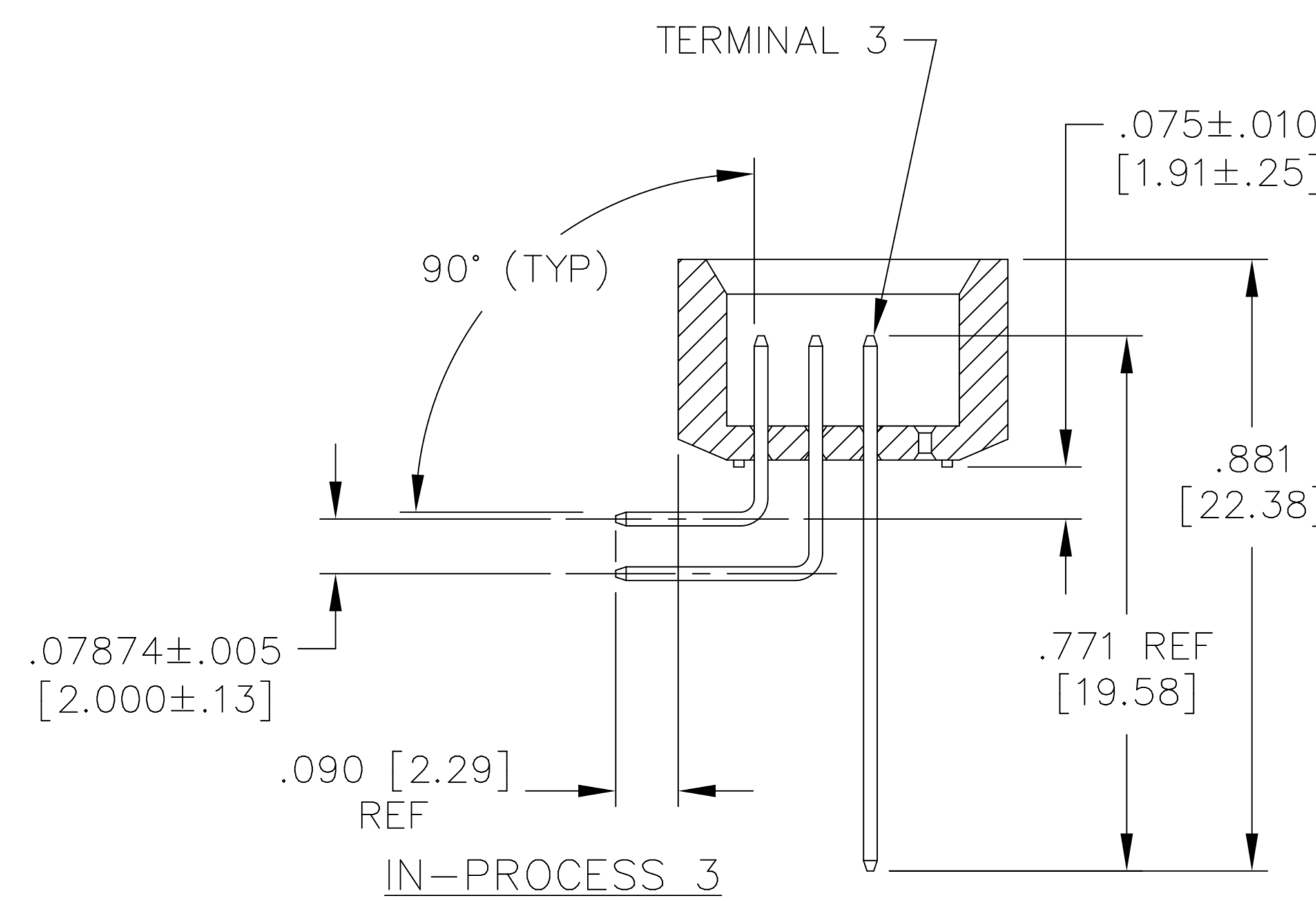
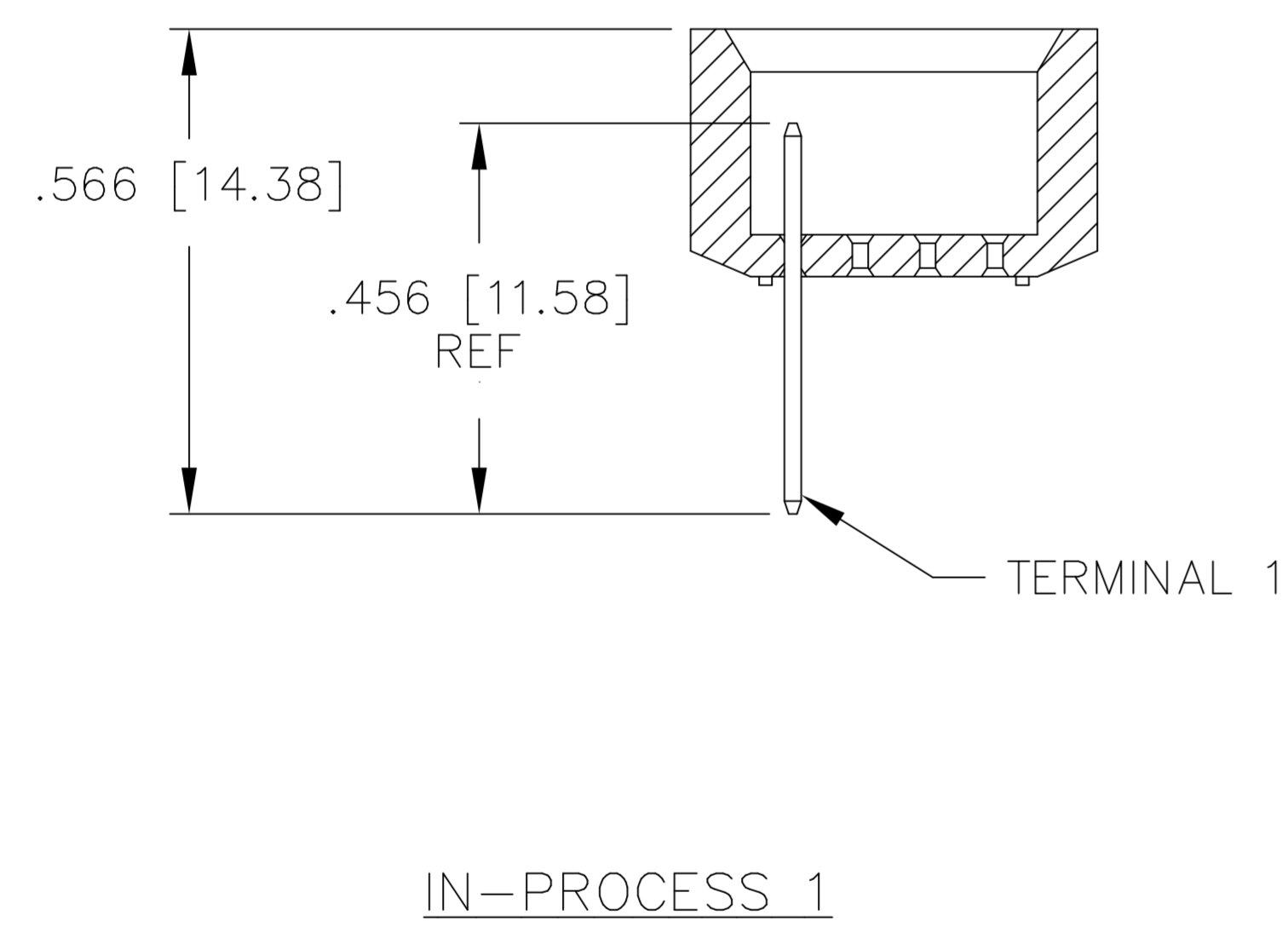
ONE PLACE DECIMALS ±.1  
TWO PLACE DECIMALS ±.01  
THREE PLACE DECIMALS ± .005  
FOUR PLACE DECIMALS ± .002  
ANGLES ± 5°

TMMS-1XX-XX-XX-Q-XX-FS

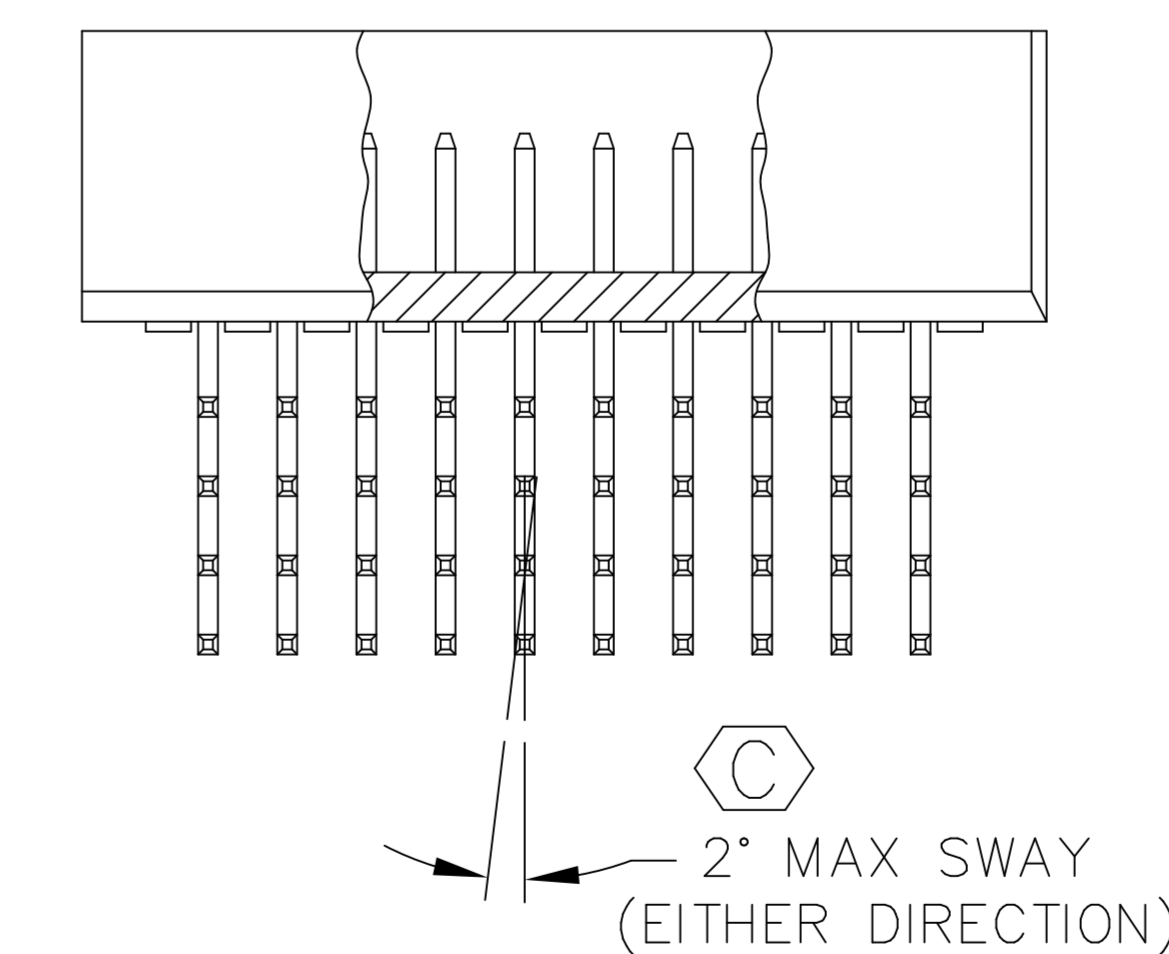
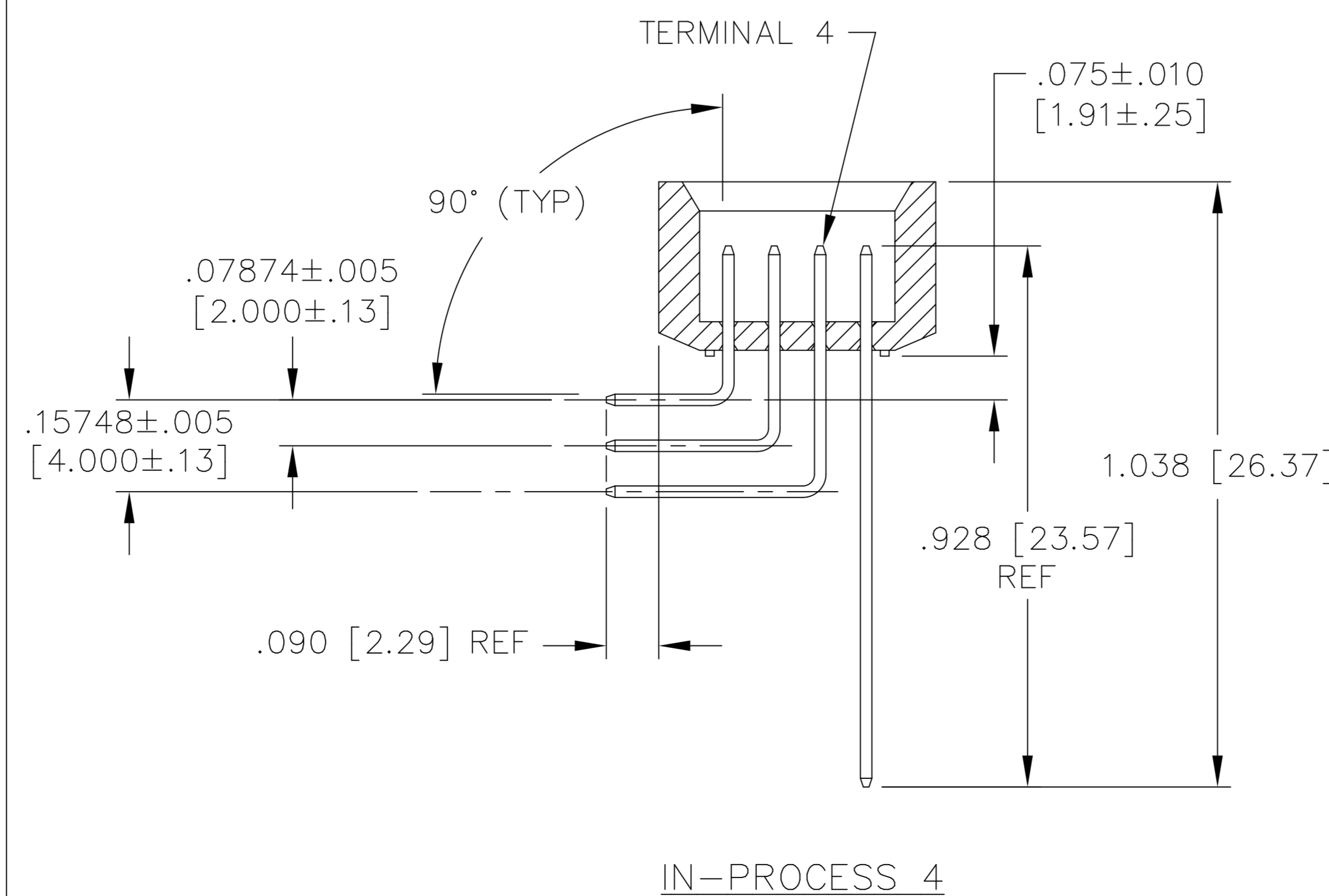
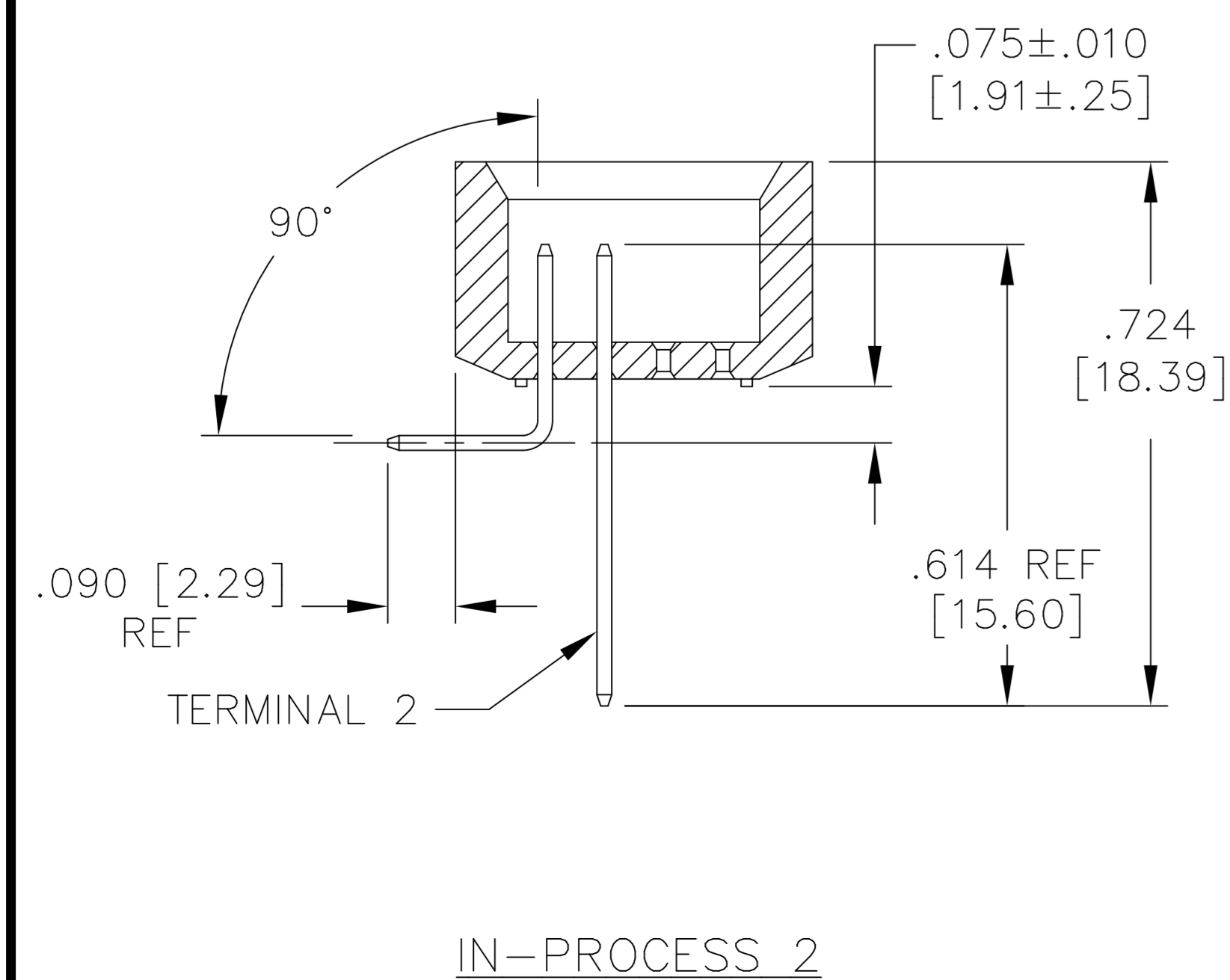
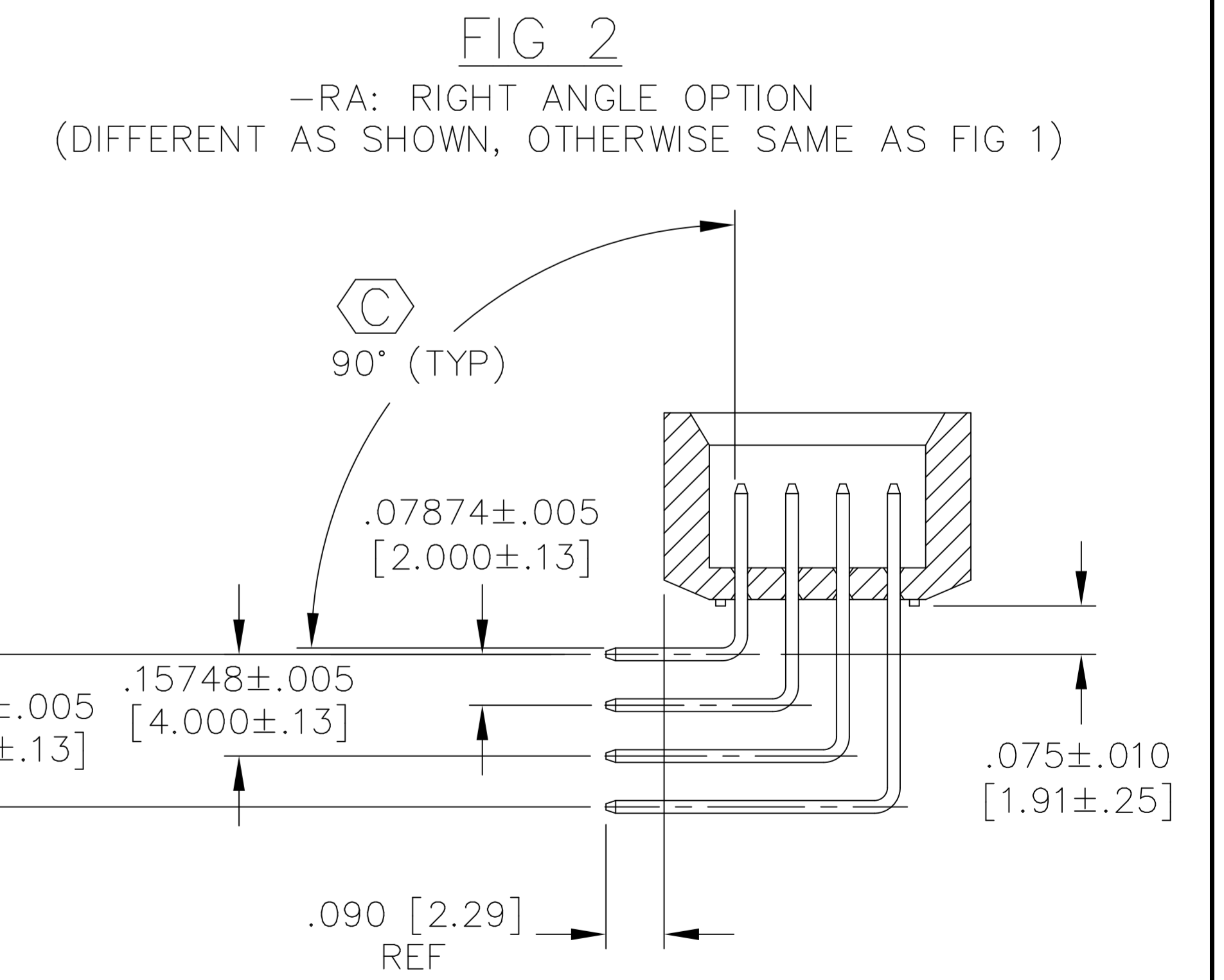
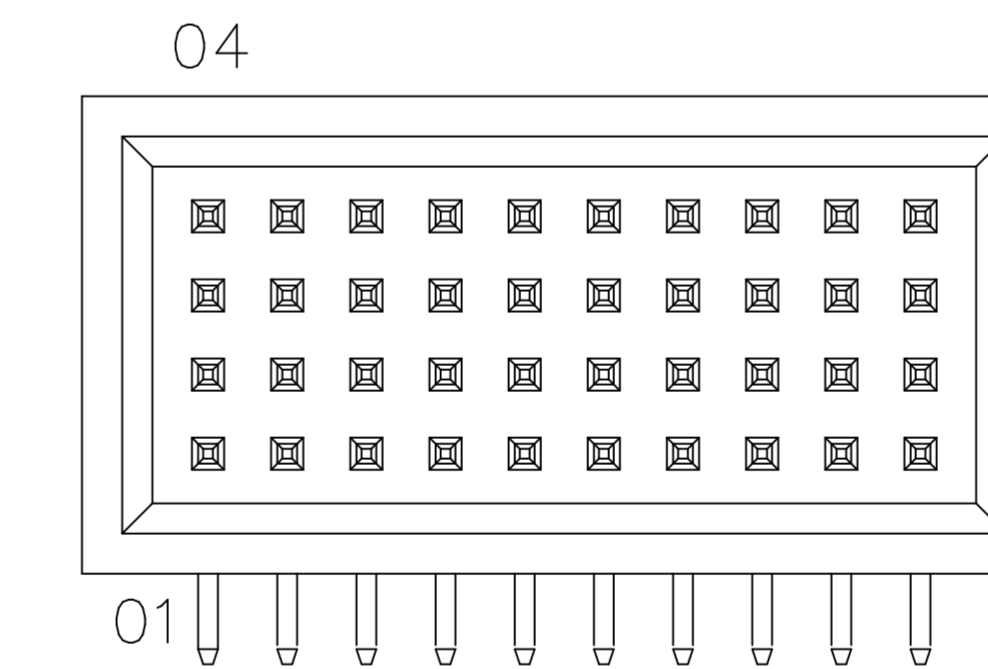
- No OF POSITIONS \_\_\_\_\_  
-05 THRU -50
- LEAD STYLE \_\_\_\_\_  
-01: .130 [3.30] POST
- PLATING \_\_\_\_\_  
-G: 10μ" GOLD IN CONTACT AREA, 10μ" GOLD ON TAIL  
-S: 30μ" SELECTIVE GOLD IN CONTACT AREA, MATTE TIN ON TAIL  
-L: 10μ" SELECTIVE GOLD IN CONTACT AREA, MATTE TIN ON TAIL  
-F: 3μ" SELECTIVE GOLD IN CONTACT AREA, MATTE TIN ON TAIL  
-FM: 3μ" SELECTIVE GOLD IN CONTACT AREA, MATTE TIN ON TAIL  
-LM: 10μ" SELECTIVE GOLD IN CONTACT AREA, MATTE TIN ON TAIL  
-SM: 30μ" SELECTIVE GOLD IN CONTACT AREA, MATTE TIN ON TAIL
- OPTIONS  
-FS: FULL SHROUD (USE TMMS-XX-Q-XX-FS)
- OPTION  
-RA: RIGHT ANGLE (SEE FIG 2) (LEAVE BLANK FOR THRU HOLE VERSION)  
\* -BL: MOLDED BOARD LOCKS (AVAILABLE WITH -RA ONLY) [USE TMMS-XX-Q-XX-BL-FS] (SEE FIG 3, SHT 2)  
\* -A: MOLDED ALIGNMENT PIN (AVAILABLE WITH -RA ONLY) [USE TMMS-XX-Q-XX-A-FS] (SEE FIG.4, SHT 2)
- ROW SPECIFICATION  
-Q: QUAD ROW (SEE FIG. 1) (USE TMMS-XX-Q-XX-FS)



- NOTES:
- 1.) MAX. ALLOWABLE BOW: .005 IN/IN AFTER ASSEMBLY.
  - 2.) MAX. PIN ROTATION IN BODY: 2°
  - 3.) PUSHOUT FORCE SHALL BE 1 lb MIN.
  - 4.) Ⓢ REPRESENTS A CRITICAL DIMENSION.
  - 5.) ALL DIMENSIONS IN BRACKETS [ ] TO BE MILLIMETERS.
  - 6.) ALL DIMENSIONS TO BE SYMMETRICAL ABOUT C.L. WITHIN A VARIANCE OF .002 [.051] UNLESS OTHERWISE NOTED.
  - 7.) .010[.25] MAX CUT FLASH (BRUSH CLEAN AS NECESSARY).



TERMINAL 1	TERMINAL 2	TERMINAL 3	TERMINAL 4
T-1S13-13-XX-2	T-1S13-14-XX-2	T-1S13-23-XX-2	T-1S13-24-XX-2



**PROPRIETARY NOTE**  
THIS DOCUMENT CONTAINS INFORMATION CONFIDENTIAL AND PROPRIETARY TO SAMTEC INC. AND SHALL NOT BE REPRODUCED OR TRANSFERRED TO OTHER DOCUMENTS OR DISCLOSED TO OTHERS OR USED FOR ANY PURPOSE OTHER THAN THAT FOR WHICH IT WAS OBTAINED WITHOUT THE EXPRESSED WRITTEN CONSENT OF SAMTEC INC.

MATERIAL:  
INSULATOR:  
LCP VECTRA E130, UL RATED 94V-0  
COLOR: BLACK  
TERMINAL:  
SPRING TEMPER PHOS BRONZE



EXISPROD\ASSEMBLY\2MM TMMSQAM1  
520 PARK EAST BLVD. NEW ALBANY, INDIANA 47150  
PHONE (812) 944-6733 P.O. BOX 1147  
CODE 55322

MADE BY:  
CHAD F 12/17/2002