

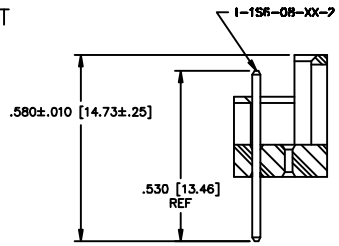
REV M

DIMENSIONS ARE IN INCHES UNLESS OTHERWISE NOTED TOLERANCES ARE:
 ONE PLACE DECIMALS ±.1[2.5] THREE PLACE DECIMALS ±.005 [.13]
 TWO PLACE DECIMALS ±.01[.3] FOUR PLACE DECIMALS ±.002 [.05]
 ANGLES ± 2°

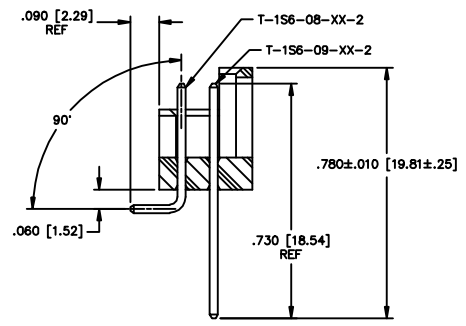
TITLE: .100 x .100 RIGHT ANGLE TERMINAL STRIP w/ MOLDED IN END SHROUDS

DWG NO: TSSH-1XX-01-XX-X-RA
 SHEET 1 OF 1

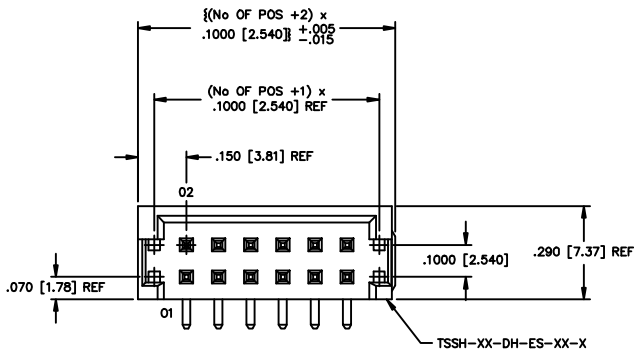
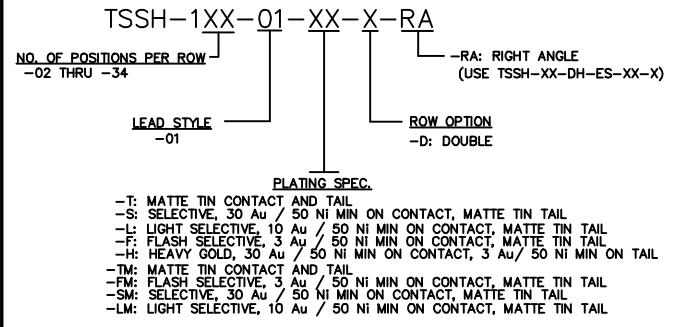
DO NOT SCALE FROM THIS PRINT



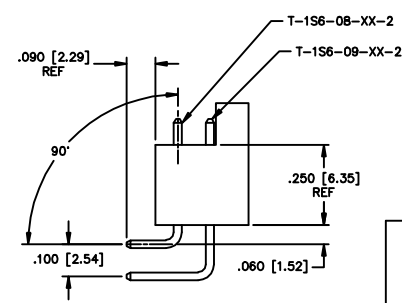
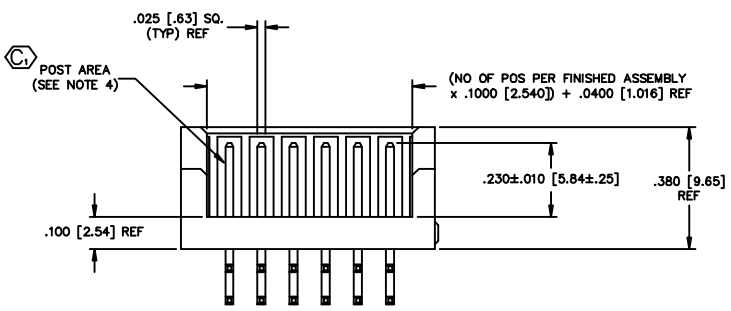
IN-PROCESS 1



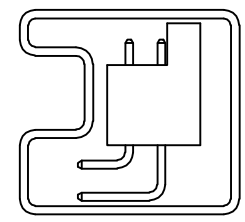
IN-PROCESS 2



- NOTES:
- Ⓢ REPRESENTS A CRITICAL DIMENSION.
 - MAX FLASH ALLOWED: .010 [.25].
 - PUSHOUT FORCE: 1.5 LB. MINIMUM.
 - NO BANDOLIER MARKS ARE ALLOWED IN THE POST AREA.
 - INSULATOR MATERIAL: BLACK, LCP, UL 94 V0



PACKAGING VIEW



PACKAGING TABLE		
ROW OPTION	PACKAGING TUBE	PLUG
-RA	PT-1-24-01-40	TP-13

PROPRIETARY NOTE
 THIS DOCUMENT CONTAINS INFORMATION CONFIDENTIAL AND PROPRIETARY TO SANTEC INC. AND SHALL NOT BE REPRODUCED OR TRANSMITTED IN ANY FORM OR BY ANY MEANS, ELECTRONIC OR MECHANICAL, INCLUDING PHOTOCOPYING, RECORDING, OR BY ANY INFORMATION STORAGE AND RETRIEVAL SYSTEM, WITHOUT THE WRITTEN CONSENT OF SANTEC INC.

santec
 520 PARK EAST BLVD. NEW ALBANY, INDIANA 47150
 PHONE (812) 944-6733 P.O. BOX 1147
 CODE 55322

MADE BY: BRATCHER 1-28-00 TSSH-1XX-01-XX-X-RA
 SHEET 1 OF 1