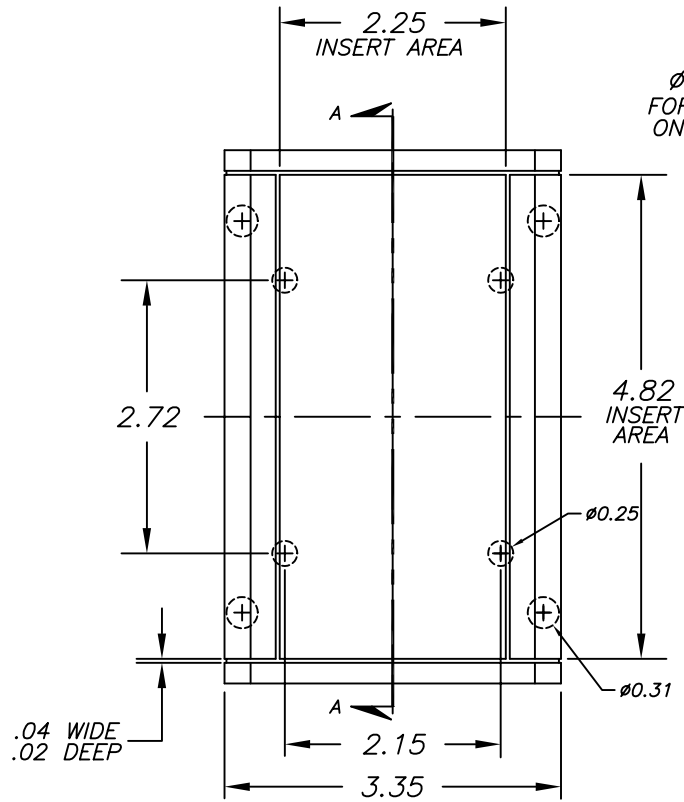
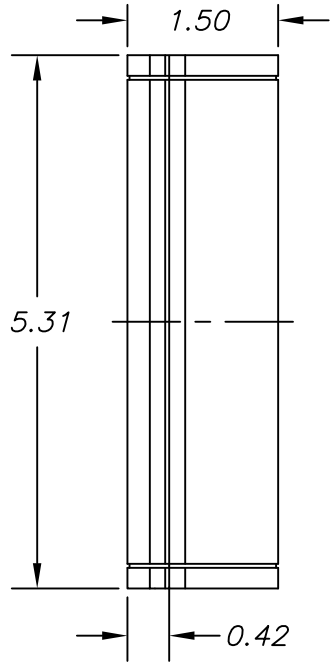


# SERPAC A-27

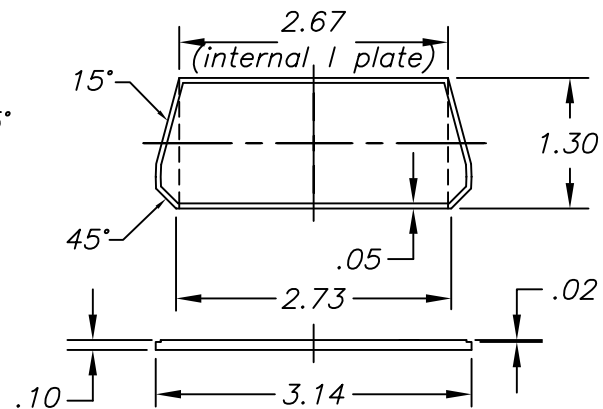
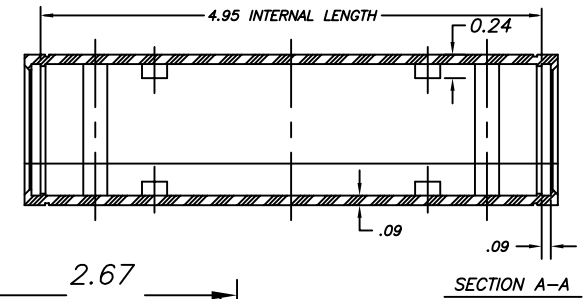
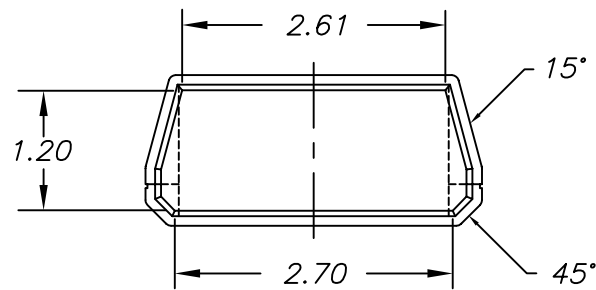
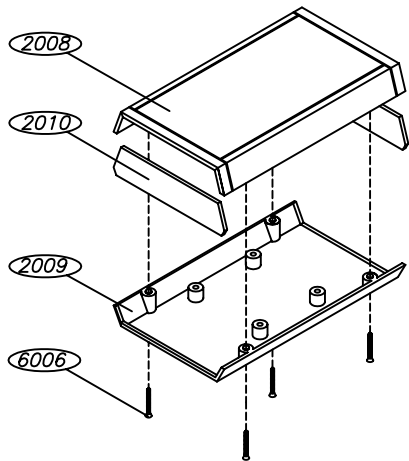
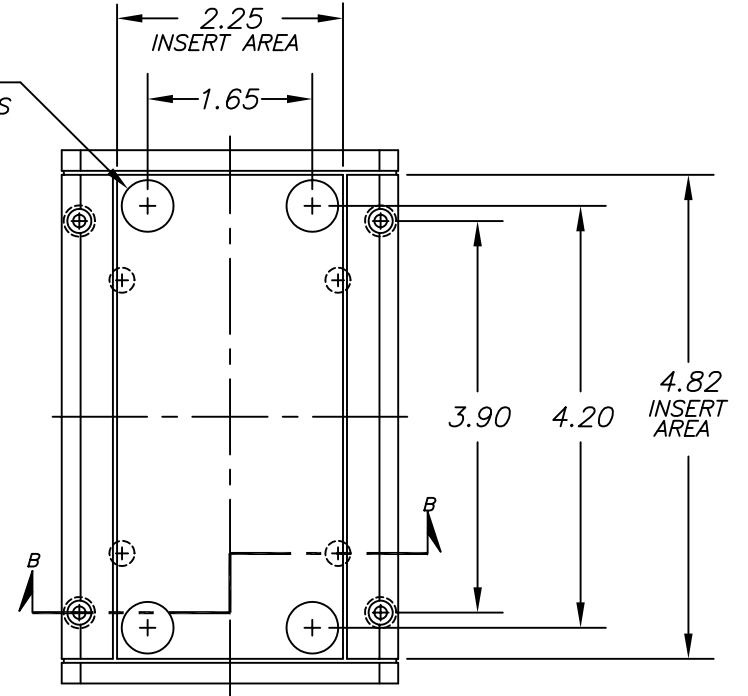
Electronics Enclosures

NOTES:

1. WHEN MACHINE OR I PLATES MODIFICATIONS ARE REQUIRED, USE THE CENTER OF THE ENCLOSURE TO DIMENSION.



Ø.52  
FOR PRESS  
ON FEET



10-08-98

ALL DIMENSIONS ± .010

PART NO.	DESCRIPTION	PART NO.	ACCESSORIES
2008	PLASTIC TOP	51	PRESS ON FEET
2010	PLASTIC END PANEL	2010IR	INFRARED PANELS
2009	PLASTIC BOTTOM	2010CL	CLEAR & TRANSPARENT RED PANELS
6006	SCREW	2010DB9	9 PIN CONNECTOR
		2010DB25	25 PIN CONNECTOR

619 Commercial Ave. Covina, CA 91723

(626) 331-0517 Fax (626) 331-8584 <http://www.serpac.com>