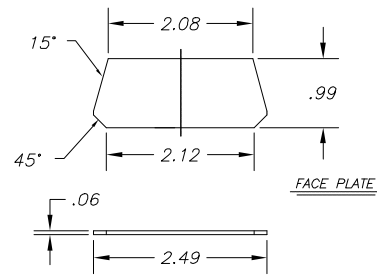
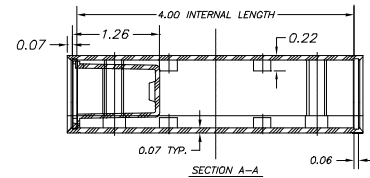
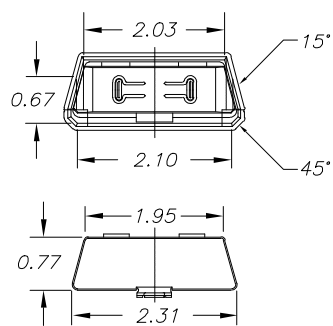
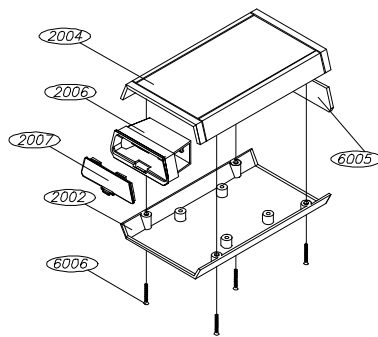
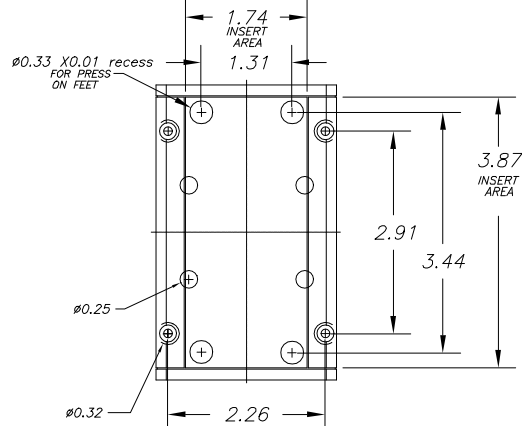
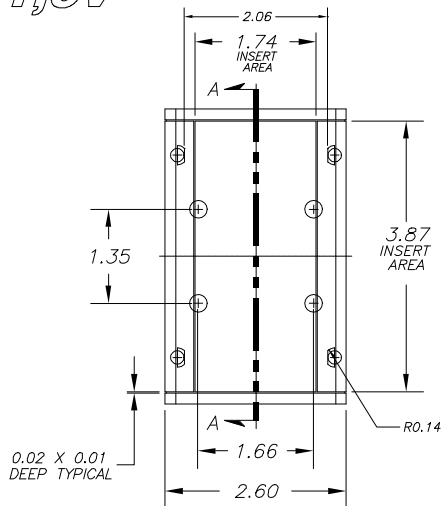
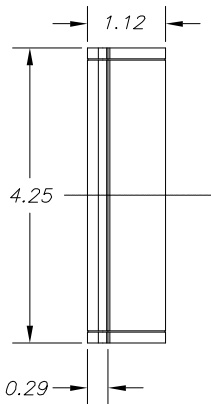


SERPAC A-21,9V

Electronics Enclosures

NOTES:

1. WHEN MACHINE OR I PLATES MODIFICATIONS ARE REQUIRED, USE THE CENTER OF THE BOX TO DIMENSION.



10-07-98

ALL DIMENSIONS ± .010

PART NO.	DESCRIPTION	PART NO.	ACCESSORIES
2004	PLASTIC TOP	52	PRESS ON FEET
2005	PLASTIC END PANEL	2005IR	INFARED PANELS
2006	9 VOLT BATTERY ACCESS PANEL	2005CL	CLEAR & TRANSPARENT RED PANELS
2007	PLASTIC BATTERY COVER	2005DB9	9 PIN CONNECTOR
2002	PLASTIC BOTTOM	2005DB25	25 PIN CONNECTOR
6006	SCREW		