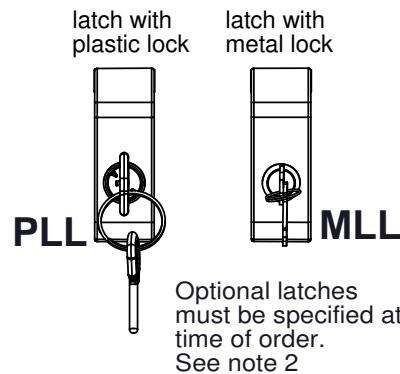
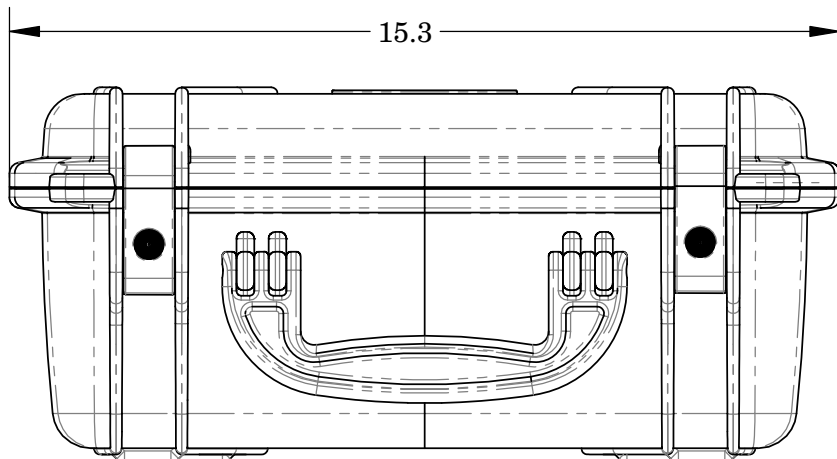
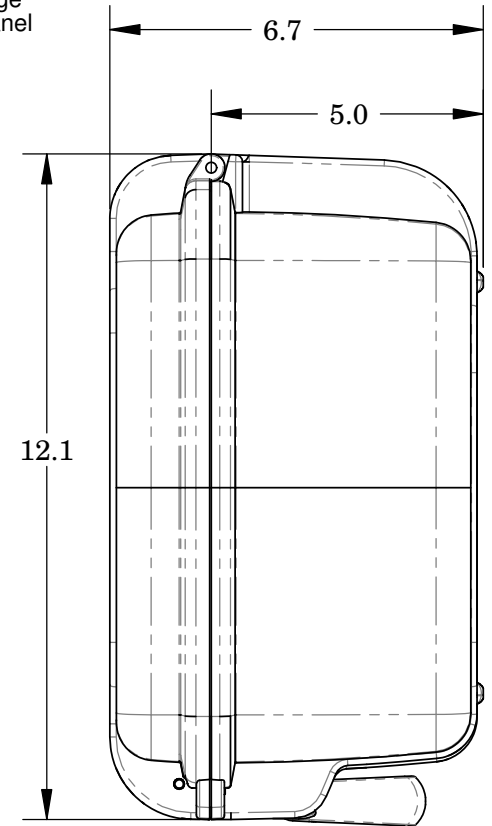
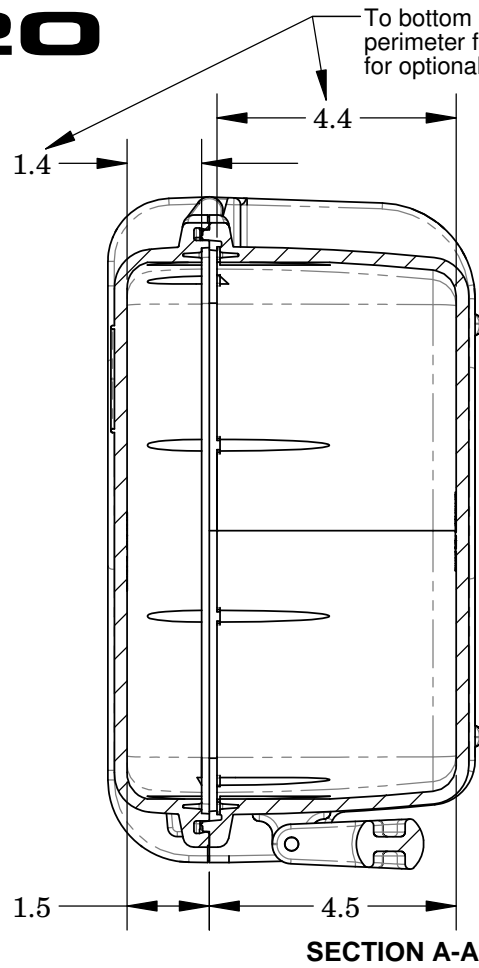
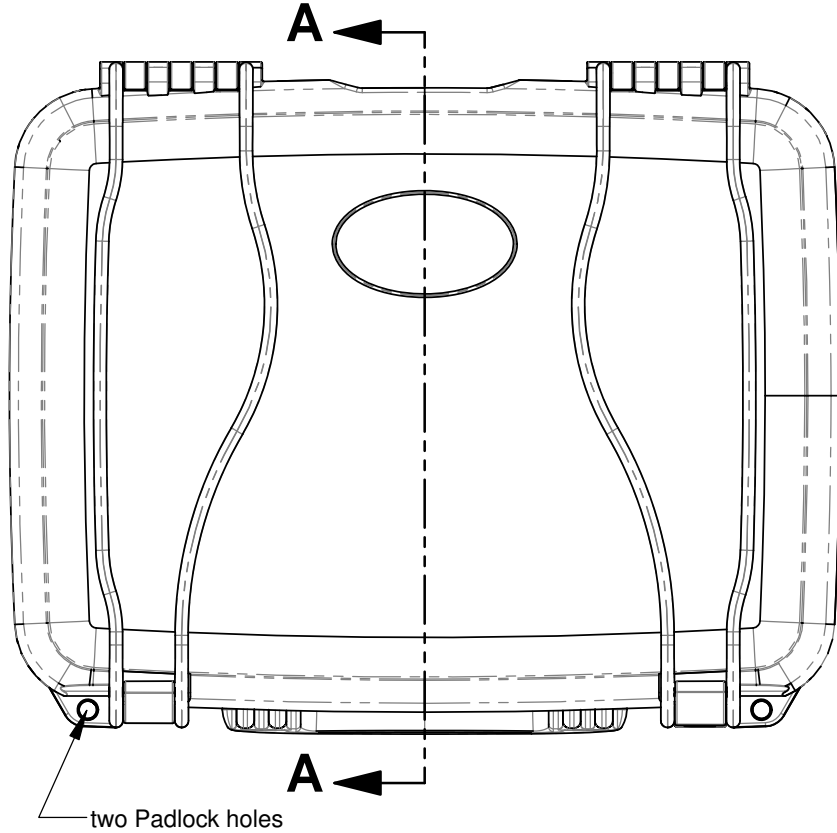


SERPAC SE520

Electronic Enclosures



NOTES:

- 1) Max. usable inside dimensions are:
13 1/2" X 9 13/16" X 6" (13.5" X 9.8" X 6.0")
- 2) With Metal Lock Latches p/n SE520ML and Plastic Lock Latches p/n SE520PL are optional.