

Low-Power Omnidirectional MEMS Microphones for Hearing Aids

**GENERAL DESCRIPTION**

The ADMP803 is a high-performance MEMS microphone with a unique combination of very low self-noise, tiny package volume (7.3 mm<sup>3</sup>), and low power consumption. Running from a 1 V supply, the ADMP803 consumes only 17 μA of current while providing an equivalent input noise of 27 dBA SPL with an analog 4.5 kΩ impedance output. These features, combined with the benefits of MEMS technology, reflow solder compatibility, and a highly stable response over time and temperature, make the ADMP803 an ideal microphone choice for assistive listening devices (ALDs) such as hearing aids.

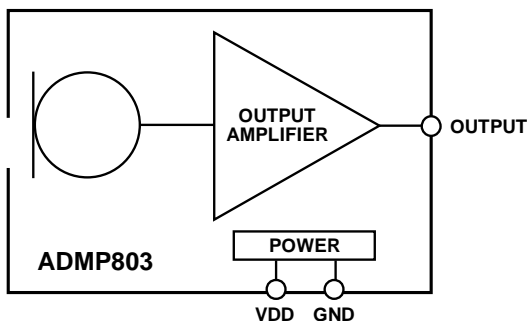
**APPLICATIONS**

- Hearing Aids
- Hearing Aid Accessories
- Assistive Listening/Alerting and Signaling Systems
- Audiometers
- Bone Conduction Devices
- Hearing Protection

**FEATURES**

- Small Surface-Mount Package: 3.35 × 2.5 × 0.98 mm
- Extra Ground Pin Improves Hand Assembly
- Equivalent Input Noise: 27 dBA SPL
- Sensitivity: -35 dBV
- Hearing Aid-Compatible Voltage Range: 0.9 to 1.3 V
- Low Current Consumption: 17 μA
- 0.8 Sec Startup to Within 0.2 dB of 1 kHz Sensitivity
- Flat Frequency Response
- Good Sensitivity and Frequency Response Matching
- Single-Ended Analog Output
- Compatible with Sn/Pb and Pb-Free Solder Processes
- RoHS/WEEE Compliant

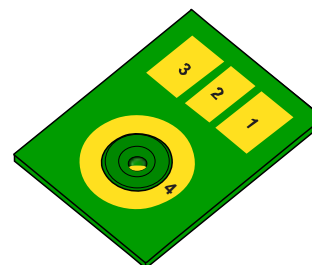
**FUNCTIONAL BLOCK DIAGRAM**



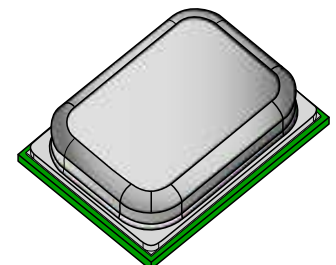
**ORDERING INFORMATION**

PART	TEMP RANGE	PACKAGE
ADMP803JCEZ-RL	-5°C to +65°C*	CE-4-1
ADMP803JCEZ-RL7	-5°C to +65°C†	CE-4-1
EVAL-ADMP803Z-FLEX	—	—

\* – 13" Tape and Reel    † – 7" Tape and Reel



BOTTOM VIEW  
(Not to Scale)



TOP VIEW  
(Not to Scale)

**TABLE OF CONTENTS**

General Description ..... 1

Applications ..... 1

Features ..... 1

Functional Block Diagram ..... 1

Ordering Information ..... 1

Table of Contents ..... 2

Specifications ..... 3

    Table 1. Electrical Characteristics ..... 3

Absolute Maximum Ratings ..... 4

    Table 2. Absolute Maximum Ratings ..... 4

    Reflow Soldering ..... 4

    ESD Caution ..... 4

Pin Configurations And Function Descriptions ..... 5

    Table 3. Pin Function Descriptions ..... 5

Typical Performance Characteristics ..... 6

Applications Information ..... 7

    Output Impedance Consideration ..... 7

Supporting Documents ..... 7

    Evaluation Board User Guide ..... 7

    Application Notes ..... 7

PCB Design And Land Pattern Layout ..... 7

Handling Instructions ..... 8

    Pick And Place Equipment ..... 8

    Reflow Solder ..... 8

    Board Wash ..... 8

Outline Dimensions ..... 9

    Ordering Guide ..... 9

    Revision History ..... 9

Compliance Declaration Disclaimer: ..... 10

Environmental Declaration Disclaimer: ..... 10

## SPECIFICATIONS

**TABLE 1. ELECTRICAL CHARACTERISTICS**

( $T_A = -5$  to  $65^\circ\text{C}$ ,  $V_{DD} = 1.0\text{V}$ ,  $200\text{ k}\Omega$  load unless otherwise noted. All minimum and maximum specifications are guaranteed across temperature and voltage, and are specified in Table 1, unless otherwise noted. Typical specifications are not guaranteed.)

PARAMETER	CONDITIONS	MIN	TYP <sup>1</sup>	MAX	UNITS	NOTES
<b>PERFORMANCE</b>						
Directionality			Omni			
Sensitivity	1 kHz, 94 dB SPL	-38	-35	-32	dBV	
Equivalent Input Noise (EIN)	8 kHz bandwidth, A-weighted		27	29	dBA SPL	2
	20 kHz bandwidth, A-weighted		29		dBA SPL	2
Frequency Response	Low frequency -3 dB point		80		Hz	
Resonant Peak			10.2		kHz	
Total Harmonic Distortion (THD)	105 dB SPL		1.3	2.5	%	
Power Supply Rejection Ratio (PSRR)	1 kHz, 100 mV p-p sine wave superimposed on $V_{DD}$	-40	-53		dB	2
Input-Referred Vibration Sensitivity	1 kHz acceleration, axial direction		62		dB SPL/g	
Acoustic Overload Point	10% THD	108	110		dB SPL	2
Start-Up Time	To within $\pm 0.2$ dB of final sensitivity		0.8		sec	
<b>POWER SUPPLY</b>						
Supply Voltage ( $V_{DD}$ )		0.9		1.3	V	
Supply Current ( $I_S$ )	Unloaded; no tone applied	10	17	23	$\mu\text{A}$	
	$V_{DD} = 0.9\text{ V}$		16		$\mu\text{A}$	
	$V_{DD} = 1.3\text{ V}$		19.5		$\mu\text{A}$	
<b>OUTPUT CHARACTERISTICS</b>						
Output Impedance ( $Z_{OUT}$ )		2.9	4.5	10.5	k $\Omega$	2
Output DC Bias Voltage		500	570	650	mV	2
Output Current Limit			25		$\mu\text{A}$	
Maximum Output Voltage	110 dB SPL input, peak		159		mV	
Noise Floor	20 Hz to 20 kHz, A-weighted, RMS		-100		dBV	

**Note 1:** Typical specifications at  $25^\circ\text{C}$

**Note 2:** Guaranteed by design and/or characterization

**ABSOLUTE MAXIMUM RATINGS**

Stress above those listed as Absolute Maximum Ratings may cause permanent damage to the device. These are stress ratings only and functional operation of the device at these conditions is not implied. Exposure to the absolute maximum ratings conditions for extended periods may affect device reliability.

**TABLE 2. ABSOLUTE MAXIMUM RATINGS**

PARAMETER	RATING
Supply Voltage (VDD)	-0.3 V to +1.45 V
Sound Pressure Level	160 dB
Mechanical Shock	10,000 g
Vibration	Per MIL-STD-883 Method 2007, Test Condition B
Operating Temperature Range	-5°C to +65°C
Storage Temperature Range	-55°C to +150°C

**REFLOW SOLDERING**

Reflow soldering must be performed in accordance with the JEDEC J-STD-020D Pb-free reflow profile for temperatures (260°C maximum), ramp rates, and dwell times. The ADMP803 can withstand many different reflow profiles, but a review of the AN-1068 Application Note, *Reflow Soldering of the MEMS Microphone*, is recommended for suggestions on ways to prevent flux contamination from entering the microphone.

**ESD CAUTION**



ESD (electrostatic discharge) sensitive device. Charged devices and circuit boards can discharge without detection. Although this product features patented or proprietary protection circuitry, damage may occur on devices subjected to high energy ESD. Therefore proper ESD precautions should be taken to avoid performance degradation or loss of functionality.

**PIN CONFIGURATIONS AND FUNCTION DESCRIPTIONS**

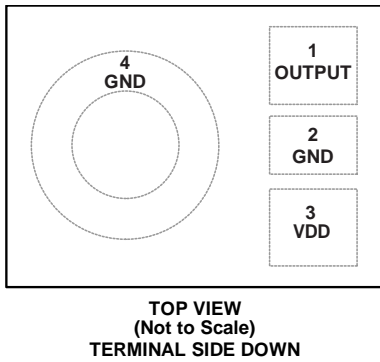


Figure 1. Pin Configuration

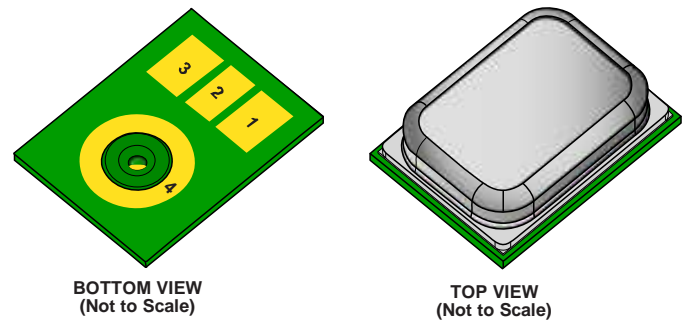


Figure 2. Pin Configuration Images (Bottom View and Top View)

**TABLE 3. PIN FUNCTION DESCRIPTIONS**

PIN	NAME	FUNCTION
1	OUTPUT	Analog Output Signal
2	GND	Ground
3	VDD	Power Supply
4	GND	Ground

**TYPICAL PERFORMANCE CHARACTERISTICS**

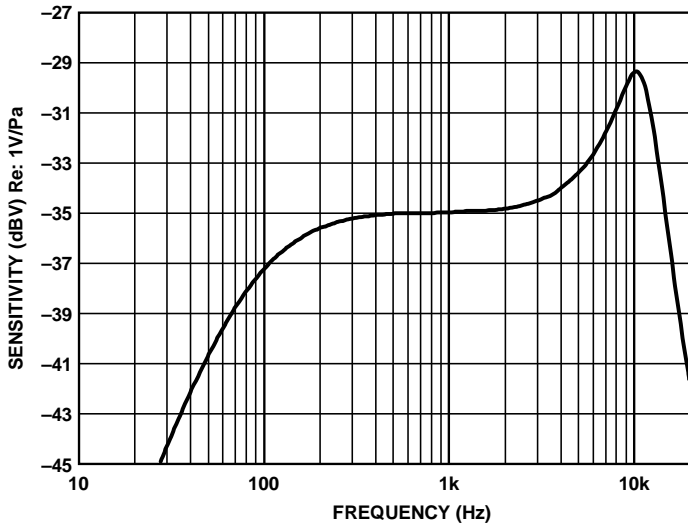


Figure 3. Typical Frequency Response

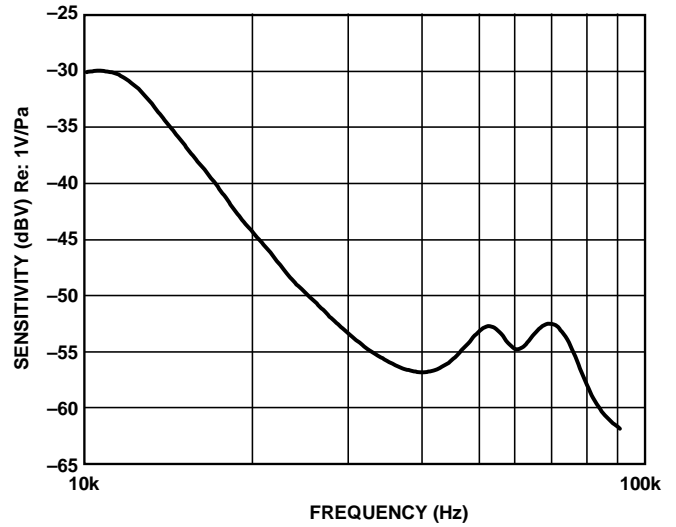


Figure 4. High Frequency Response

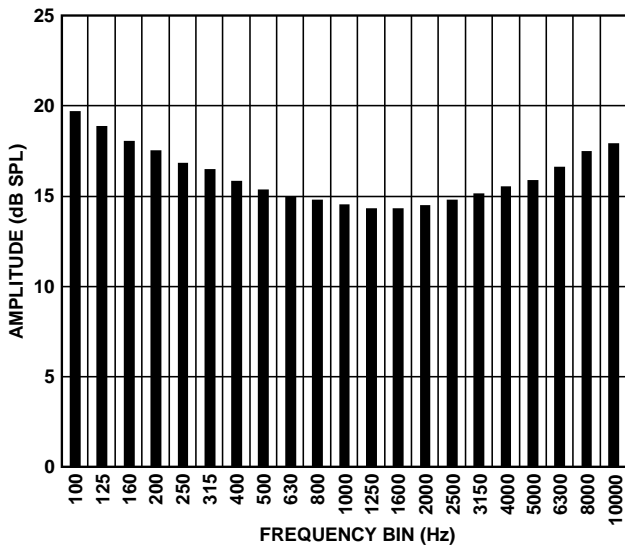


Figure 5. Typical Third-Octave Noise

**APPLICATIONS INFORMATION**

**OUTPUT IMPEDANCE CONSIDERATION**

The ADMP3001 has an output impedance of 4.5 kΩ, which is significantly higher than the impedance of many other MEMS microphones. This higher output impedance enables the microphone to operate with a very low supply current, but also needs to be considered in the design of the signal chain following the microphone. The input impedance of the device to which the microphone's output is connected should be much higher than 4.5 kΩ to ensure no loss of signal amplitude through the signal chain.

**SUPPORTING DOCUMENTS**

For additional information, see the following documents.

**EVALUATION BOARD USER GUIDE**

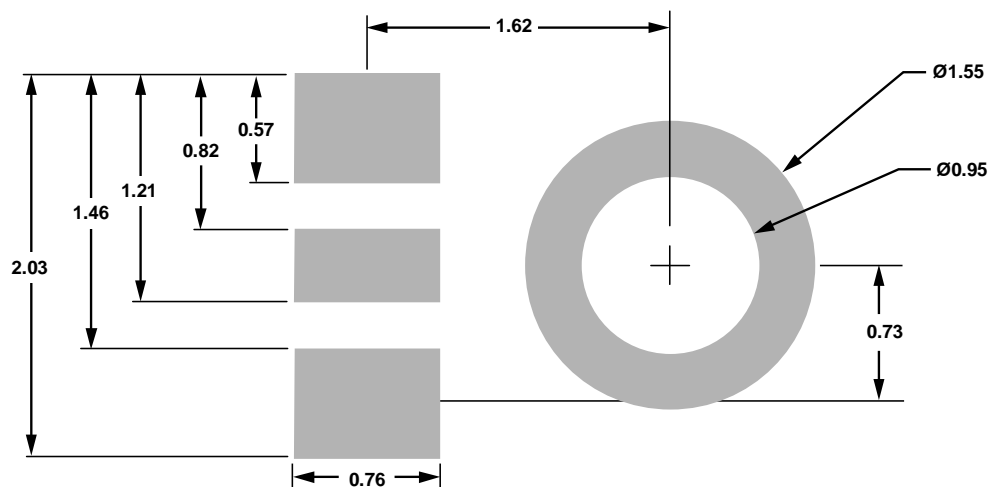
[UG-325](#) Analog Output MEMS Microphone Flex Evaluation Board

**APPLICATION NOTES**

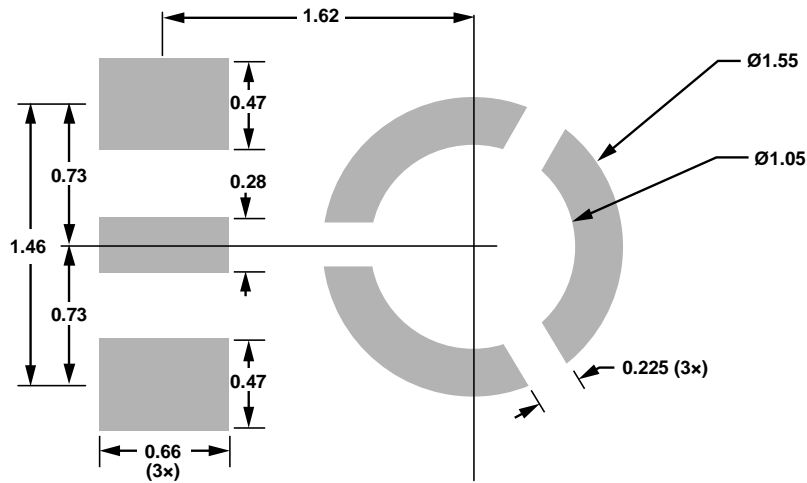
- [AN-1003](#) Recommendations for Mounting and Connecting the InvenSense, Bottom-Ported MEMS Microphones
- [AN-1068](#) Reflow Soldering of the MEMS Microphone
- [AN-1112](#) Microphone Specifications Explained
- [AN-1124](#) Recommendations for Sealing InvenSense, Bottom-Port MEMS Microphones from Dust and Liquid Ingress
- [AN-1140](#) Microphone Array Beamforming
- [AN-1165](#) Op Amps for MEMS Microphone Preamp Circuits

**PCB DESIGN AND LAND PATTERN LAYOUT**

The recommended PCB land pattern for the ADMP803 should be laid out to a 1:1 ratio to the solder pads on the microphone package, as shown in Figure 6. Take care to avoid applying solder paste to the sound hole in the PCB. A suggested solder paste stencil pattern layout is shown in Figure 7. The diameter of the sound hole in the PCB should be larger than the diameter of the sound port of the microphone. A minimum diameter of 0.5 mm is recommended.



**Figure 6. PCB Land Pattern Layout**  
Dimensions shown in millimeters



**Figure 7. Suggested Solder Paste Stencil Pattern Layout**  
 Dimensions shown in millimeters

## HANDLING INSTRUCTIONS

### PICK AND PLACE EQUIPMENT

The MEMS microphone can be handled using standard pick-and-place and chip shooting equipment. Take care to avoid damage to the MEMS microphone structure as follows:

- Use a standard pickup tool to handle the microphone. Because the microphone hole is on the bottom of the package, the pickup tool can make contact with any part of the lid surface.
- Do not pick up the microphone with a vacuum tool that makes contact with the bottom side of the microphone. Do not pull air out of or blow air into the microphone port.
- Do not use excessive force to place the microphone on the PCB.

### REFLOW SOLDER

For best results, ensure that the soldering profile is in accordance with the recommendations of the manufacturer of the solder paste used to attach the MEMS microphone to the PCB. Perform all reflow soldering in accordance with the JEDEC J-STD-020 Pb-free reflow profile for temperatures (260°C maximum), ramp rates, and dwell times. The ADMP803 can withstand many different reflow profiles; however, for suggestions on how to prevent flux contamination from entering the microphone, see the AN-1068 Application Note, *Reflow Soldering of the MEMS Microphone*.

### BOARD WASH

When washing the PCB, ensure that water does not make contact with the microphone port. Do not use blow-off procedures or ultrasonic cleaning.



OUTLINE DIMENSIONS

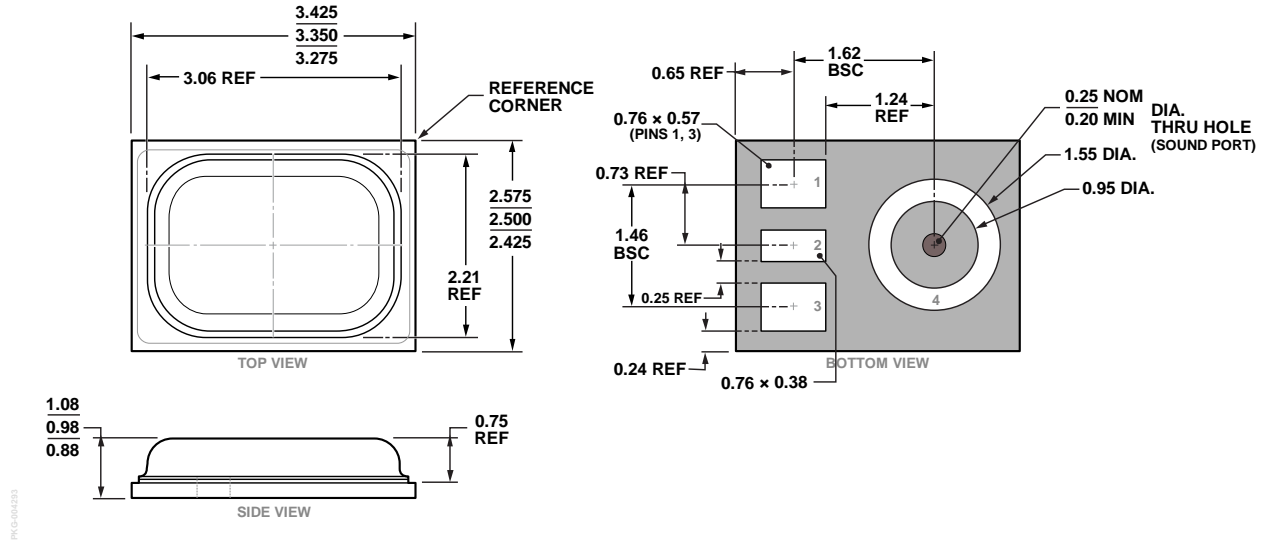


Figure 8. 3-Terminal Chip Array Small Outline No-Lead Cavity [LGA\_CAV]  
 3.35 × 2.50 × 0.98 mm Body  
 (CE-4-1)

Dimensions shown in millimeters

ORDERING GUIDE

PART <sup>1</sup>	TEMP RANGE	PACKAGE	PACKAGE OPTION <sup>2</sup>	QUANTITY
ADMP803JCEZ-RL	-5°C to +65°C	4-Terminal LGA_CAV*	CE-4-1	10,000
ADMP803JCEZ-RL7	-5°C to +65°C	4-Terminal LGA_CAV†	CE-4-1	1,000
EVAL-ADMP621Z-FLEX	—	Flexible Evaluation Board	—	—

\* – 13" Tape and Reel Z = RoHS Compliant Part  
 † – 7" Tape and Reel <sup>2</sup>This package option is halide free

REVISION HISTORY

REVISION DATE	REVISION	DESCRIPTION
12/3/2013	1.0	Initial Release

**Compliance Declaration Disclaimer:**

InvenSense believes this compliance information to be correct but cannot guarantee accuracy or completeness. Conformity documents for the above component constitutes are on file. InvenSense subcontracts manufacturing and the information contained herein is based on data received from vendors and suppliers, which has not been validated by InvenSense.

**Environmental Declaration Disclaimer:**

InvenSense believes this environmental information to be correct but cannot guarantee accuracy or completeness. Conformity documents for the above component constitutes are on file. InvenSense subcontracts manufacturing and the information contained herein is based on data received from vendors and suppliers, which has not been validated by InvenSense.

This information furnished by InvenSense is believed to be accurate and reliable. However, no responsibility is assumed by InvenSense for its use, or for any infringements of patents or other rights of third parties that may result from its use. Specifications are subject to change without notice. InvenSense reserves the right to make changes to this product, including its circuits and software, in order to improve its design and/or performance, without prior notice. InvenSense makes no warranties, neither expressed nor implied, regarding the information and specifications contained in this document. InvenSense assumes no responsibility for any claims or damages arising from information contained in this document, or from the use of products and services detailed therein. This includes, but is not limited to, claims or damages based on the infringement of patents, copyrights, mask work and/or other intellectual property rights.

Certain intellectual property owned by InvenSense and described in this document is patent protected. No license is granted by implication or otherwise under any patent or patent rights of InvenSense. This publication supersedes and replaces all information previously supplied. Trademarks that are registered trademarks are the property of their respective companies. InvenSense sensors should not be used or sold in the development, storage, production or utilization of any conventional or mass-destructive weapons or for any other weapons or life threatening applications, as well as in any other life critical applications such as medical equipment, transportation, aerospace and nuclear instruments, undersea equipment, power plant equipment, disaster prevention and crime prevention equipment.

©2013 InvenSense, Inc. All rights reserved. InvenSense, MotionTracking, MotionProcessing, MotionProcessor, MotionFusion, MotionApps, DMP, and the InvenSense logo are trademarks of InvenSense, Inc. Other company and product names may be trademarks of the respective companies with which they are associated.



©2013 InvenSense, Inc. All rights reserved.