

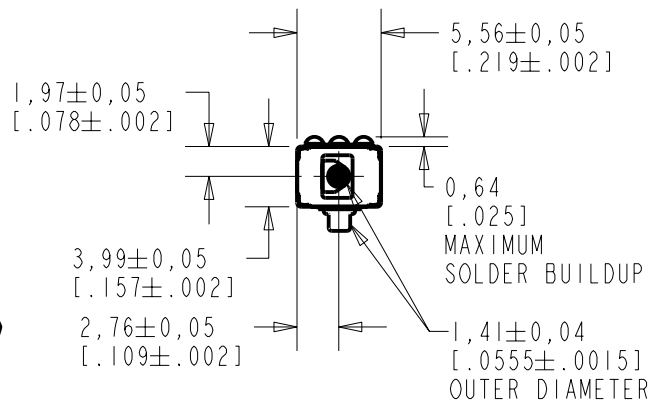
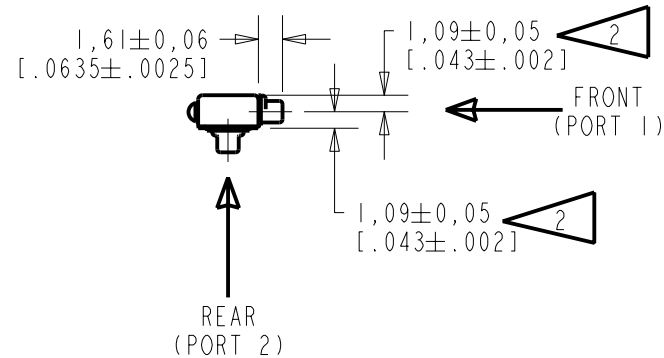
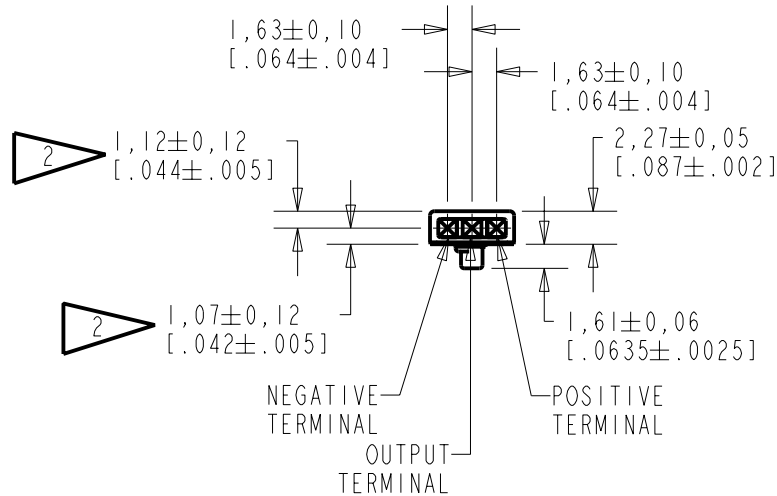
EL-23078-000

SHT 1.1

NOTE:

1. INCREASED PRESSURE AT THE SOUND INLET CAUSES A POSITIVE GOING VOLTAGE TO APPEAR AT THE OUTPUT TERMINAL, RELATIVE TO THE NEGATIVE TERMINAL.

2. LOCATED FROM TWO SURFACES FOR CUSTOMER CONVENIENCE. ONLY APPLICABLE FROM ONE SURFACE, NOT TO BE USED TOGETHER. HORIZONTAL LOCATION FOR TERMINAL CENTERED TO $\pm 0,17$ [.007].



NOMINAL WEIGHT
.13 GRAM

DIMENSIONS IN MILLIMETERS [INCHES]

Revision	C.O. #	Implementation Date	RELEASE LEVEL	REVISION
A	MI0101145	5-17-06	Released	A

SCALE: 2:1

DO NOT SCALE DRAWING

TITLE: MICROPHONE

EL-23078-000

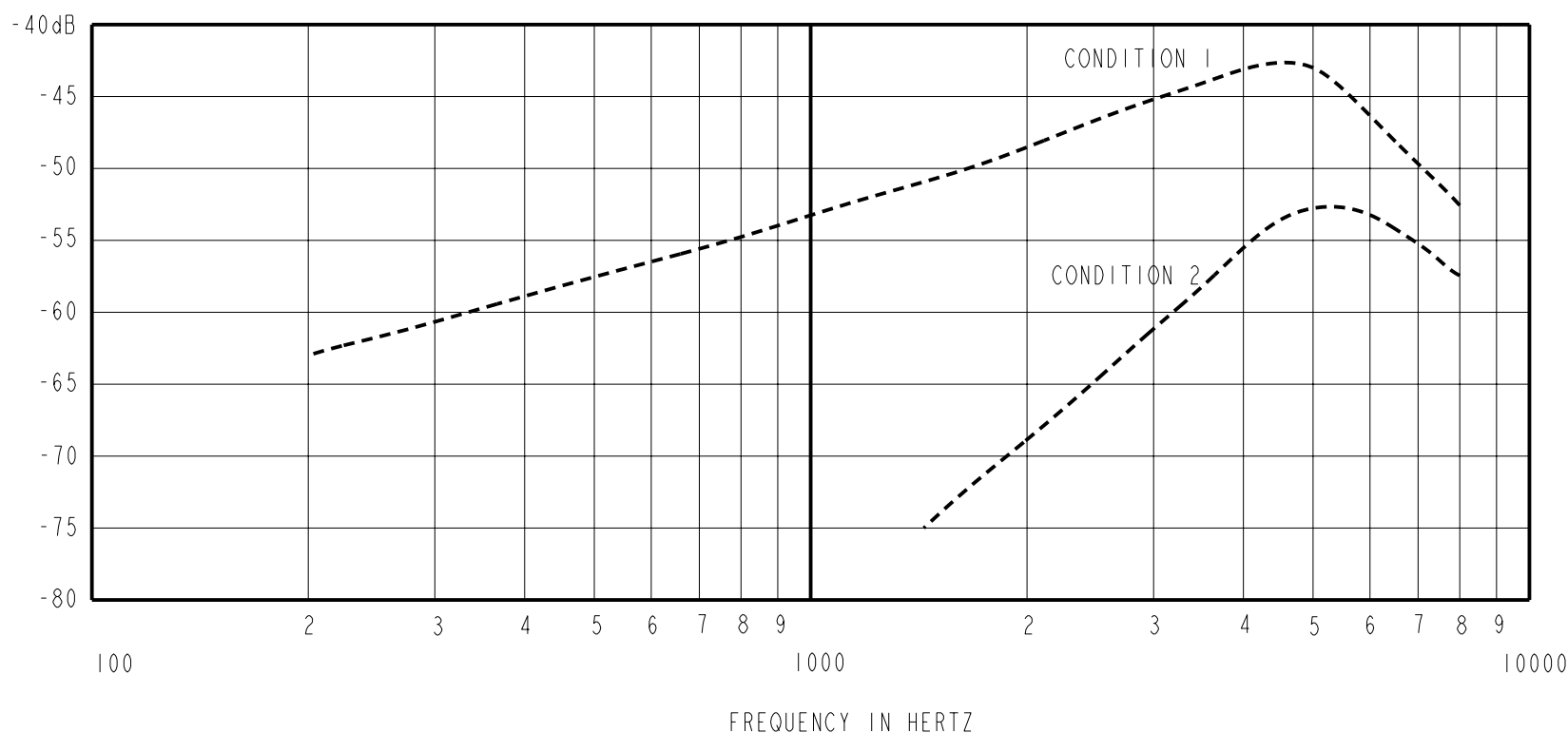
OUTLINE DRAWING

SHT 1.1

DR. BY	DATE
MMM	5-17-06
CK. BY	DATE
GJP	5-19-06
APP. BY	DATE
GJP	5-19-06

KNOWLES ELECTRONICS
ITASCA, ILLINOIS U.S.A.

SENSITIVITY IN dB RELATIVE TO 1.0 VOLT/MICROBAR (0.1 N/m²), UNDER THE TEST CONDITIONS SHOWN BELOW



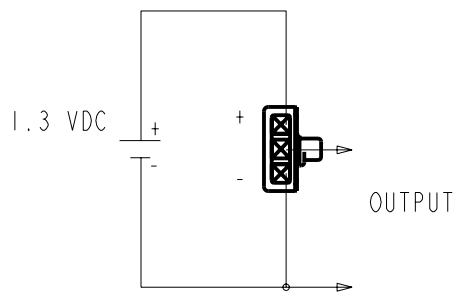
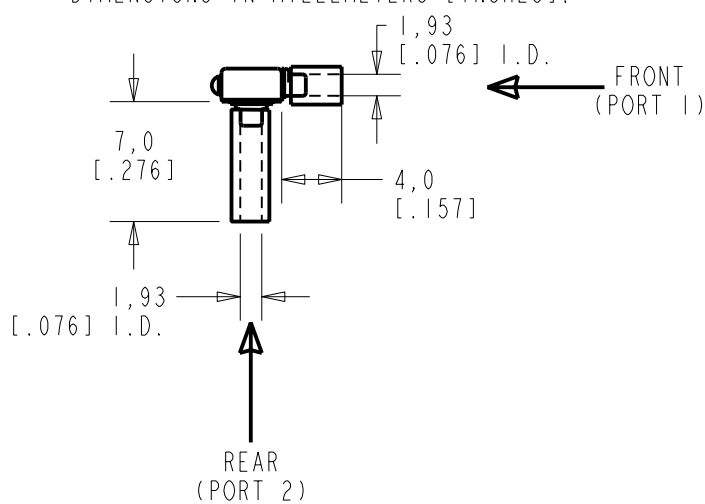
CONDITION 1 SENSITIVITY				DEVICE CONFORMITY		
FREQUENCY	MIN.	NOM.	MAX.	RANGE OF DEVIATION FROM 1 kHz		
				CONDITION 1		CONDITION 2
300	---	-63.0	---	-8.5	-11.5	---
1000	-55.0	-53.0	-51.0	0.0	0.0	-20.0 MIN.
3400-5400	---	-43.0	---	+5.0	+15.0	---

NOTES:

- MICROPHONE TO BE FUNCTIONAL WITH 10VDC SUPPLY.
- TYPICAL SENSITIVITY TO HUMIDITY AT 1000 Hz IS 0.03 dB/%RH.
- SENSITIVITY AND NOISE VALUES INDICATED ON THIS SPECIFICATION ARE VALID AT 50% HUMIDITY.
- CASE CONNECTED TO NEGATIVE TERMINAL.

PORT LOCATION	DC SUPPLY	AMPLIFIER CURRENT DRAIN	SENSITIVITY CHANGE ON REDUCING SUPPLY TO 0.9VDC	"A" WEIGHTED NOISE (RE 1.0 VOLT)	OUTPUT IMPEDANCE OHMS		
					MIN.	NOM.	MAX.
I2S, 0K	1.3V	50 μA MAX	3 dB MAX.	-100.0 dB MAX.	2800	4400	6800

TEST CONDITIONS WITH TUBING AND SIGNALS DESCRIBED BELOW:
DIMENSIONS IN MILLEMMETERS [INCHES].



SIGNAL "A" IS A REFERENCE SIGNAL OF 1.0 MICROBAR.
SIGNAL "B" IS A PROBE SIGNAL DELAYED 56.8 MICROSECONDS WITH RESPECT TO SIGNAL "A" AND HAVING 0.981 TIMES THE AMPLITUDE.

FOR CONDITION 1

SIGNAL "A" IS APPLIED TO PORT 1
SIGNAL "B" IS APPLIED TO PORT 2

FOR CONDITION 2

SIGNAL "A" IS APPLIED TO PORT 2
SIGNAL "B" IS APPLIED TO PORT 1

Revision	C.O. #	Implementation Date	RELEASE LEVEL	REVISION
A	M10101145	5-17-06	Released	A

KNOWLES ELECTRONICS
ITASCA, ILLINOIS U.S.A.

WHEN TEST LIMITS ARE USED TO ESTABLISH INCOMING INSPECTION ACCEPTANCE/REJECTION CRITERIA, CORRELATION OF TEST EQUIPMENT WITH KNOWLES IS ALSO REQUIRED FOR ELIMINATION OF EQUIPMENT AND TEST METHOD VARIATION

TITLE: **MICROPHONE**
PERFORMANCE SPECIFICATION

EL-23078-000
SHT 2.1

DR. BY	DATE
MMM	5-17-06
CK. BY	DATE
GJP	5-19-06
APP. BY	DATE
GJP	5-19-06