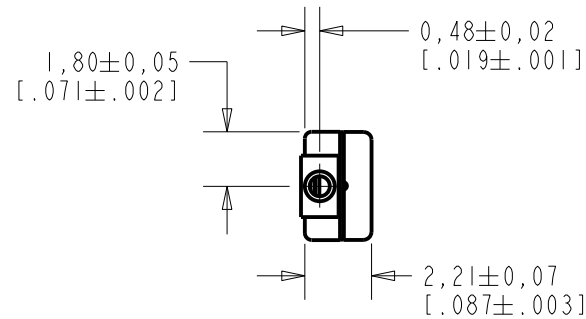


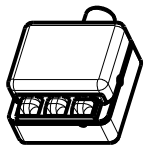
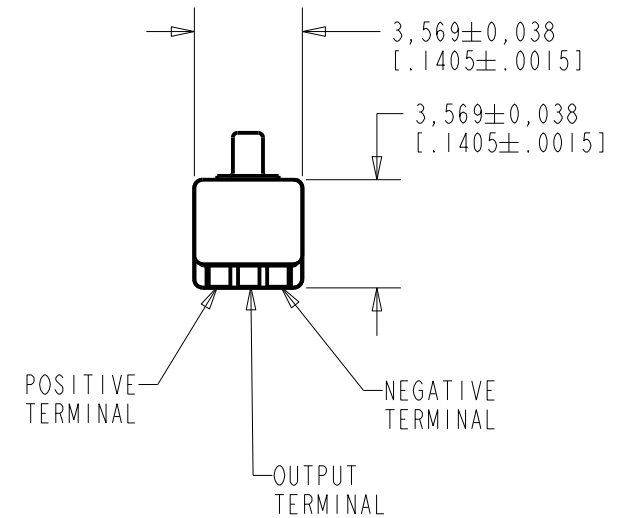
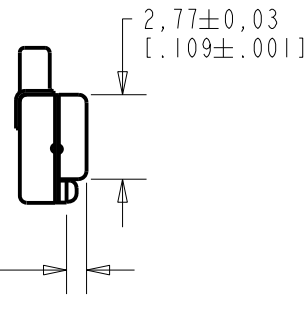
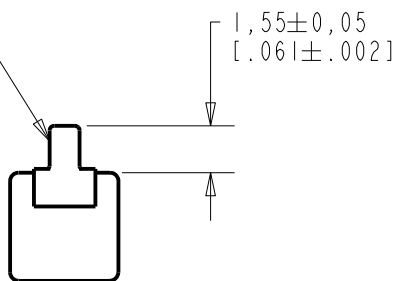
EM-23059-000
SHT 1.1

NOTE:

1. INCREASED PRESSURE AT SOUND INLET CAUSES A POSITIVE GOING VOLTAGE TO APPEAR AT THE OUTPUT TERMINAL, RELATIVE TO THE NEGATIVE TERMINAL.



1,00±0,04
[.0400±.0015]
OUTER DIAMETER



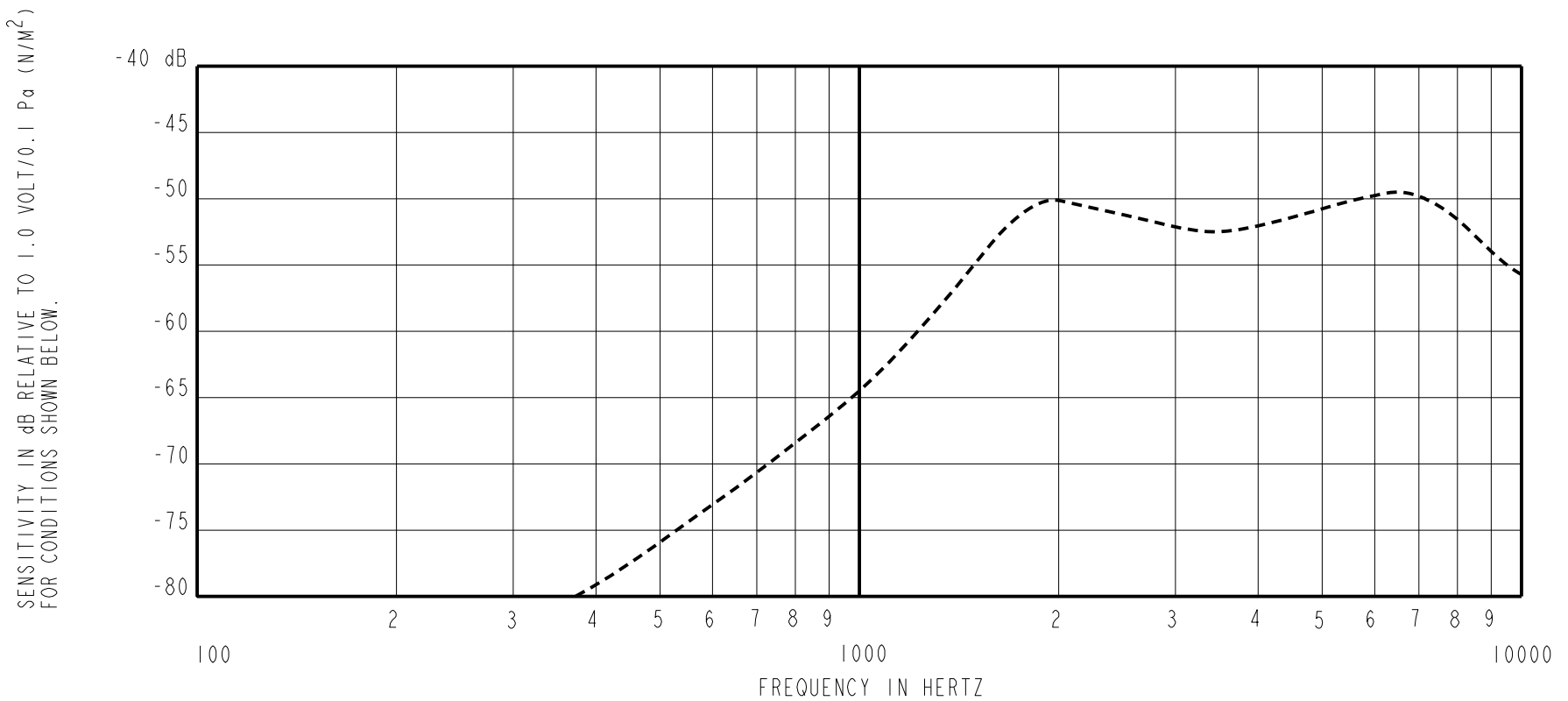
NOMINAL WEIGHT
.08 GRAMS

DIMENSIONS IN MILLIMETERS [INCHES]

Revision	C.O. #	Implementation Date	RELEASE LEVEL	REVISION
C	MI0104420	11-23-11	Active	C
B	MI0102011	6-10-08		
A	MI0101257	10-25-06		

SCALE: 4:1		DR. BY: LSY	DATE: 10-25-06
DO NOT SCALE DRAWING			
TITLE: MICROPHONE		CK. BY: GJP	DATE: 11-6-06
OUTLINE DRAWING		APP. BY: GJP	DATE: 11-6-06
EM-23059-000			
SHT 1.1			

KNOWLES ELECTRONICS
ITASCA, ILLINOIS U.S.A.



FREQUENCY	SENSITIVITY			DEVICE CONFORMITY	
	MIN.	NOM.	MAX.	RANGE OF DEVIATION FROM 1KHz	
1000	---	-64.5	---	---	-9.0
3500	-56.5	-52.5	-48.5	0.0	0.0
6400	---	-49.5	---	0.0	+6.0

NOTES:

- CASE CONNECTED TO NEGATIVE TERMINAL.
- MICROPHONE TO BE FUNCTIONAL WITH 10 VDC SUPPLY.
- TYPICAL SENSITIVITY TO HUMIDITY AT 1000Hz IS 0.06 dB/%RH
- SENSITIVITY AND NOISE VALUES INDICATED ON THIS SPECIFICATION ARE VALID AT 50% HUMIDITY.

PORT LOCATION	DC SUPPLY	AMPLIFIER CURRENT DRAIN	SENSITIVITY CHANGE ON REDUCING SUPPLY TO 0.9VDC	"A" WEIGHTED NOISE (Re 1 VOLT)	OUTPUT IMPEDANCE OHMS		
					MIN.	NOM.	MAX.
12B	1.3V	50 μ A MAX.	3 dB MAX.	97.0 dB MAX.	2800	4400	6800

Revision	C.O. #	Implementation Date	RELEASE LEVEL	REVISION
C	M10104420	11-23-11	Active	C
B	M10102011	6-10-08		
A	M10101257	10-25-06		

KNOWLES ELECTRONICS
ITASCA, ILLINOIS U.S.A.

WHEN TEST LIMITS ARE USED TO ESTABLISH INCOMING INSPECTION ACCEPTANCE/REJECTION CRITERIA, CORRELATION OF TEST EQUIPMENT WITH KNOWLES IS ALSO REQUIRED FOR ELIMINATION OF EQUIPMENT AND TEST METHOD VARIATION

TITLE: **MICROPHONE** **EM-23059-000**
PERFORMANCE SPECIFICATION **SHT 2.1**

DR. BY	DATE
LSY	10-25-06
CK. BY	DATE
GJP	11-6-06
APP. BY	DATE
GJP	11-6-06