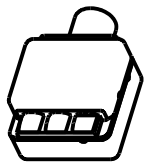
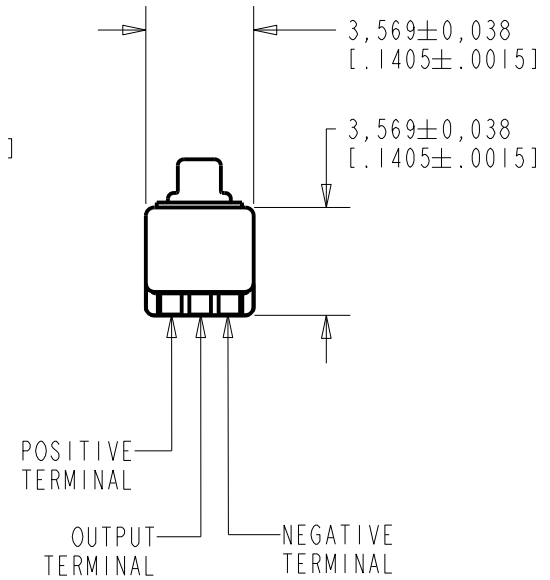
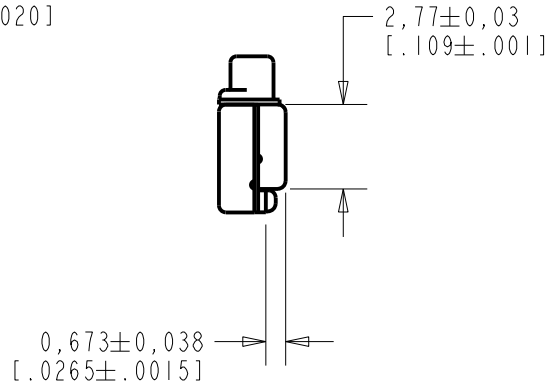
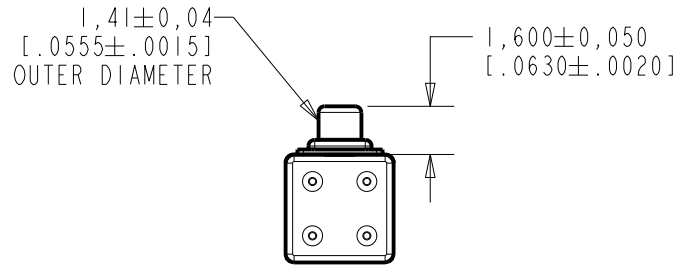
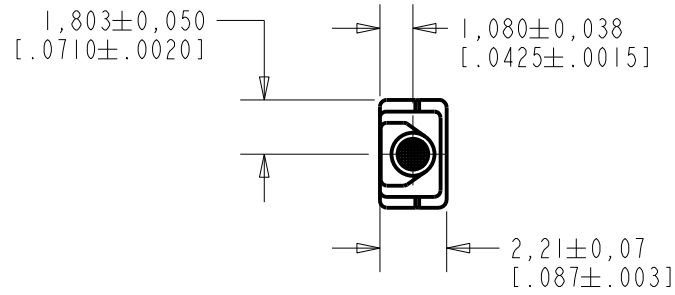


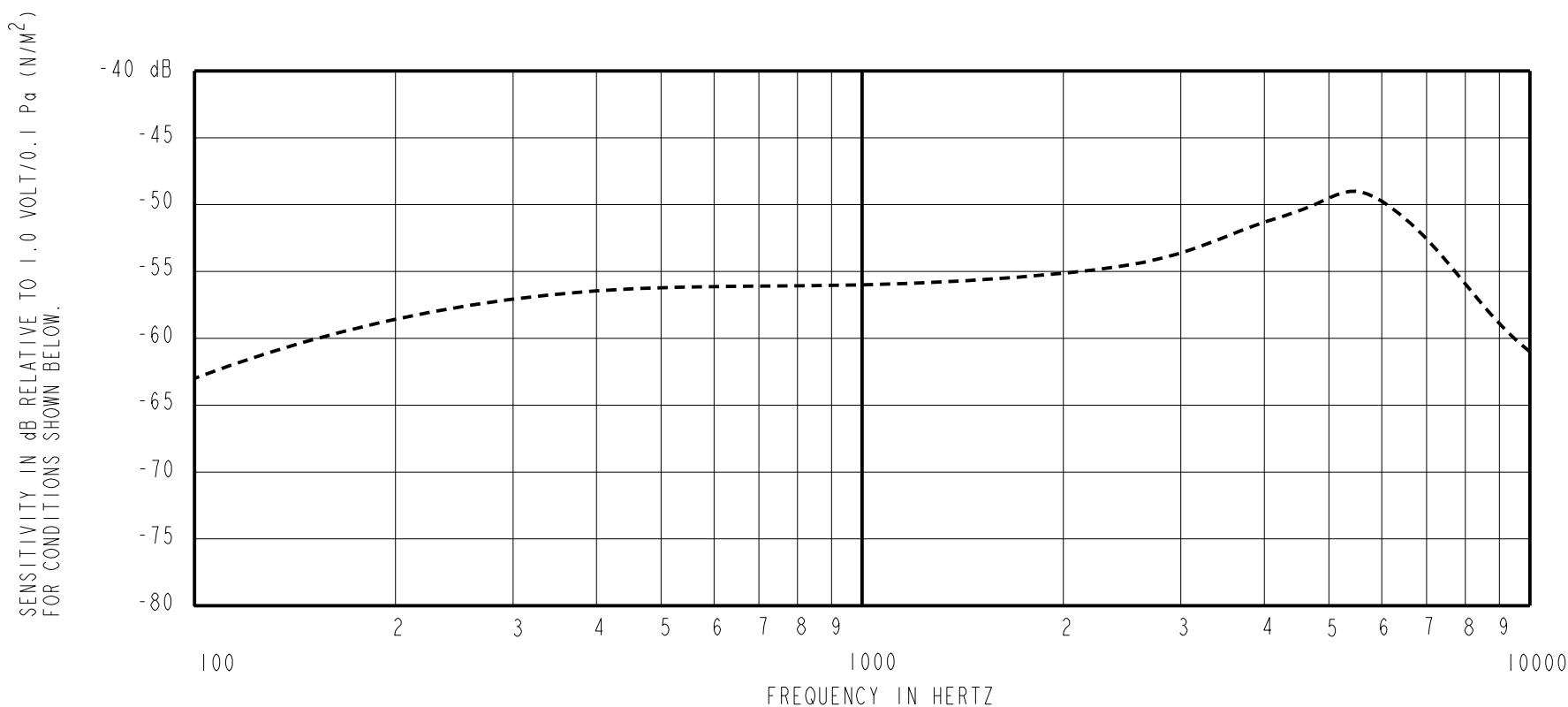
**EM-24046-000**  
SHT 1.1



NOMINAL WEIGHT  
.08 GRAMS  
DIMENSIONS IN MILLIMETERS [INCHES]

**KNOWLES ELECTRONICS**  
ITASCA, ILLINOIS U.S.A.

Revision	C.O. #	Implementation Date	RELEASE LEVEL	REVISION
			<b>Active</b>	<b>D</b>
D	MI0104420	11-28-11		
SCALE: <b>4:1</b>				
DO NOT SCALE DRAWING			DR. BY	DATE
TITLE: <b>MICROPHONE</b> OUTLINE DRAWING			LSY	11-03-06
			<b>EM-24046-000</b> SHT 1.1	
			GJP	11-9-06
			APP. BY	DATE
			GJP	11-9-06



FREQUENCY	SENSITIVITY			DEVICE CONFORMITY	
	MIN.	NOM.	MAX.	RANGE OF DEVIATION FROM 1KHz	
100	---	-63.0	---	-10.0	-3.0
100	-59.0	-56.0	-53.0	0.0	0.0
≈ 5500	---	-49.0	---	+4.0	+10.0

NOTES:

1. CASE CONNECTED TO NEGATIVE TERMINAL.
2. MICROPHONE TO BE FUNCTIONAL WITH 10 VDC SUPPLY.
3. TYPICAL SENSITIVITY TO HUMIDITY AT 1000Hz IS 0.03 dB/%RH
4. SENSITIVITY AND NOISE VALUES INDICATED ON THIS SPECIFICATION ARE VALID AT 50% HUMIDITY.

PORT LOCATION	DC SUPPLY	AMPLIFIER CURRENT DRAIN	SENSITIVITY CHANGE ON REDUCING SUPPLY TO 0.9VDC	"A" WEIGHTED NOISE (1 kHz EQUIV. SPL)	OUTPUT IMPEDANCE OHMS		
					MIN.	NOM.	MAX.
12B	1.3V	50 μA MAX.	3 dB MAX.	31.0 dB MAX.	2800	4400	6800

Revision	C.O. #	Implementation Date	RELEASE LEVEL	REVISION
			<b>Active</b>	<b>D</b>
D	MI0104420	11-28-11		
WHEN TEST LIMITS ARE USED TO ESTABLISH INCOMING INSPECTION ACCEPTANCE/REJECTION CRITERIA, CORRELATION OF TEST EQUIPMENT WITH KNOWLES IS ALSO REQUIRED FOR ELIMINATION OF EQUIPMENT AND TEST METHOD VARIATION				
TITLE: <b>MICROPHONE</b>		<b>EM-24046-000</b>		DR. BY DATE
PERFORMANCE SPECIFICATION		<b>SHT 2.1</b>		LSY 11-03-06
				CK. BY DATE
				GJP 11-9-06
				APP. BY DATE
				GJP 11-9-06

**KNOWLES ELECTRONICS**  
ITASCA, ILLINOIS U.S.A.