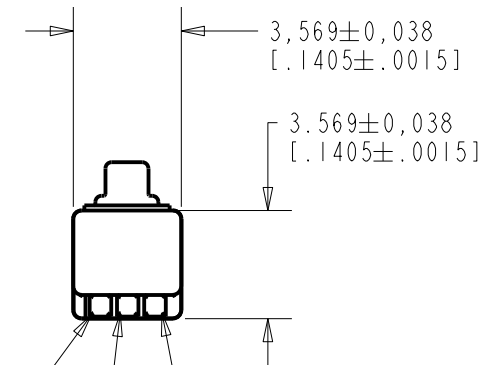
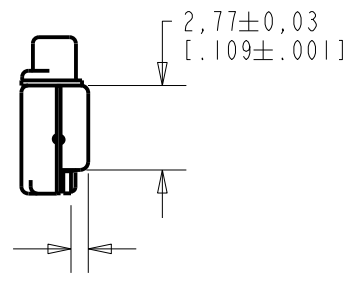
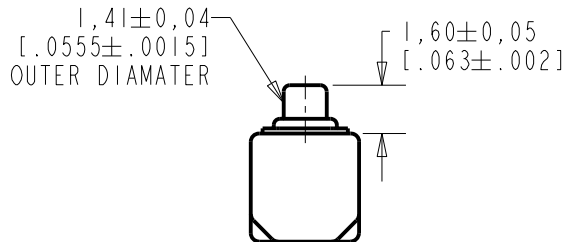
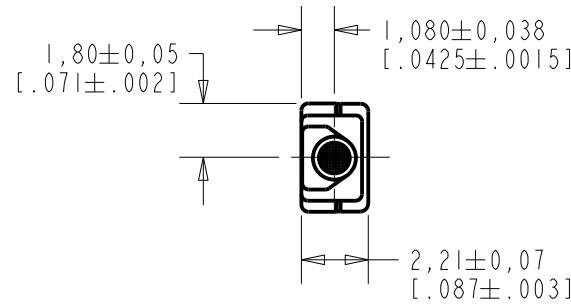


**EM-24358-080**

SHT 1.1

NOTE:

1. INCREASED PRESSURE AT SOUND INLET CAUSES A POSITIVE GOING VOLTAGE TO APPEAR AT THE OUTPUT TERMINAL, RELATIVE TO THE NEGATIVE TERMINAL.



POSITIVE TERMINAL  
OUTPUT TERMINAL  
NEGATIVE TERMINAL



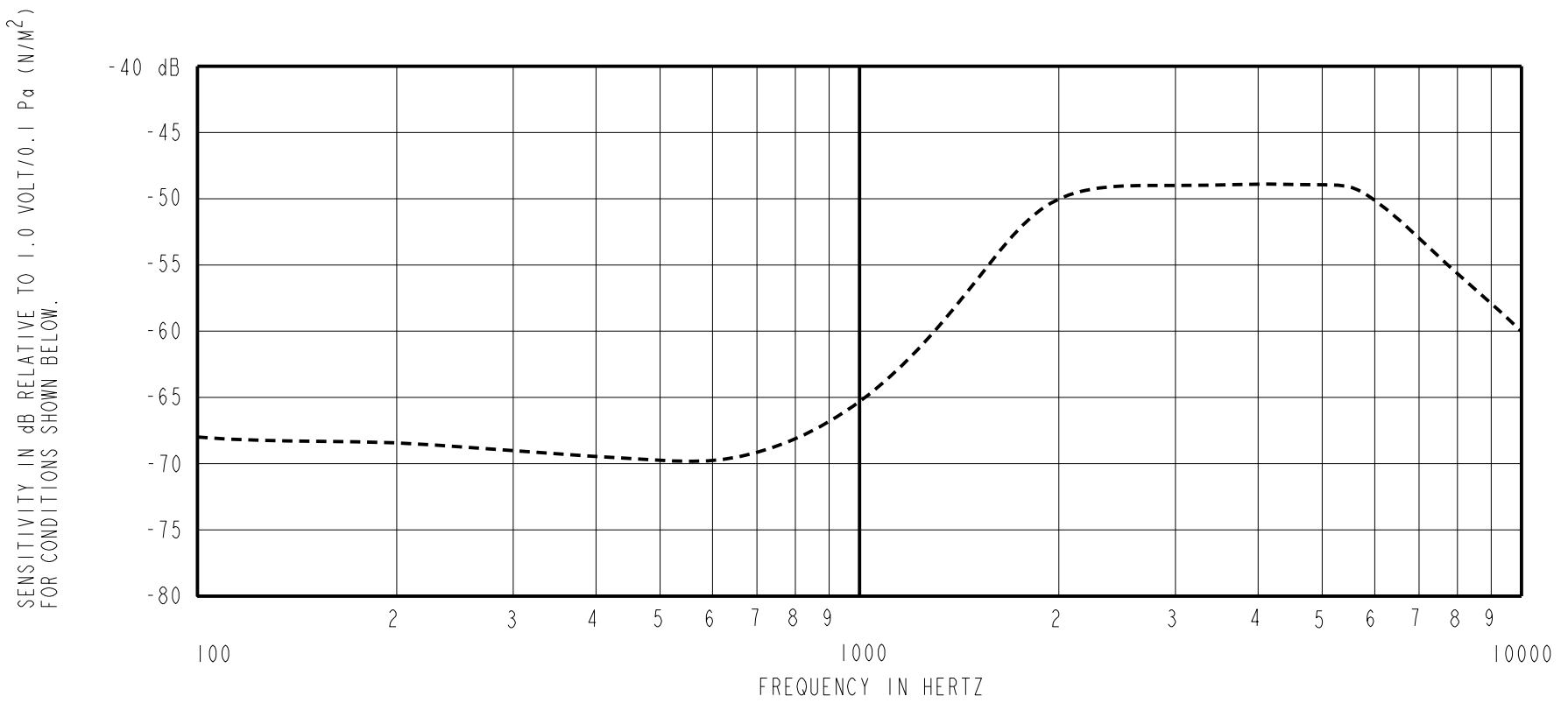
NOMINAL WEIGHT  
.08 GRAMS

DIMENSIONS IN MILLIMETERS [INCHES]

Revision	C.O. #	Implementation Date	RELEASE LEVEL	REVISION
C	MI0104239	7-12-11	<b>Active</b>	<b>C</b>
B	MI0102035	7-7-08		
A	MI0101354	1-26-07		

SCALE: <b>4:1</b>		DR. BY: LSY	DATE: 1-26-07
DO NOT SCALE DRAWING			
TITLE: <b>MICROPHONE</b>		APP. BY: GJP	DATE: 2-13-07
OUTLINE DRAWING		EM-24358-080	DATE: 2-13-07
		SHT 1.1	

**KNOWLES ELECTRONICS**  
ITASCA, ILLINOIS U.S.A.



FREQUENCY	SENSITIVITY			DEVICE CONFORMITY	
	MIN.	NOM.	MAX.	RANGE OF DEVIATION FROM 1KHz	
100	---	-68.0	---	-23.0	-15.0
300	---	-68.0	---	-23.0	-15.0
3000	-52.0	-49.0	-46.0	0.0	0.0
5000	---	-48.0	---	---	+2.5

NOTES:

1. CASE CONNECTED TO NEGATIVE TERMINAL.
2. MICROPHONE TO BE FUNCTIONAL WITH 1.6 VDC SUPPLY.
3. TYPICAL SENSITIVITY TO HUMIDITY AT 3000Hz IS 0.03 dB/%RH
4. SENSITIVITY AND NOISE VALUES INDICATED ON THIS SPECIFICATION ARE VALID AT 50% HUMIDITY.

PORT LOCATION	DC SUPPLY	AMPLIFIER CURRENT DRAIN	SENSITIVITY CHANGE ON REDUCING SUPPLY TO 0.9VDC	"A" WEIGHTED NOISE (RE 1 VOLT)	OUTPUT IMPEDANCE OHMS		
					MIN.	NOM.	MAX.
12S	1.3V	50 $\mu$ A MAX.	3 dB MAX.	-97.0 dB MAX.	2800	4400	6800

Revision	C.O. #	Implementation Date	RELEASE LEVEL	REVISION
C	M10104239	7-12-11	<b>Active</b>	<b>C</b>
B	M10102035	7-7-08		
A	M10101354	1-26-07		

**KNOWLES ELECTRONICS**  
ITASCA, ILLINOIS U.S.A.

WHEN TEST LIMITS ARE USED TO ESTABLISH INCOMING INSPECTION ACCEPTANCE/REJECTION CRITERIA, CORRELATION OF TEST EQUIPMENT WITH KNOWLES IS ALSO REQUIRED FOR ELIMINATION OF EQUIPMENT AND TEST METHOD VARIATION

TITLE: **MICROPHONE** **EM-24358-080**  
PERFORMANCE SPECIFICATION **SHT 2.1**

DR. BY	DATE
LSY	1-26-07
CK. BY	DATE
GJP	2-13-07
APP. BY	DATE
GJP	2-13-07