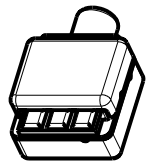
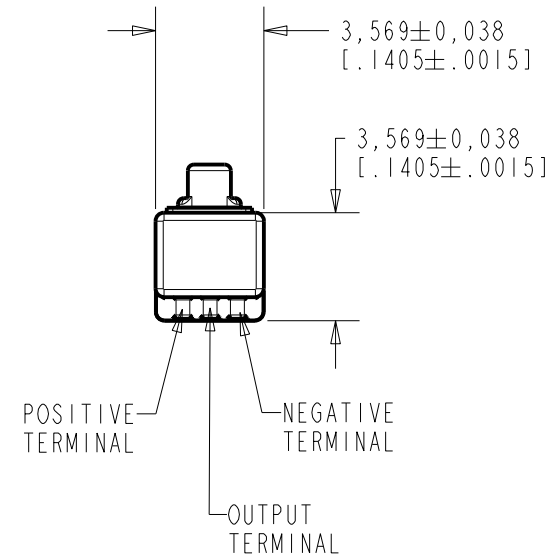
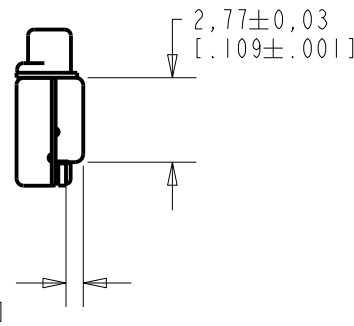
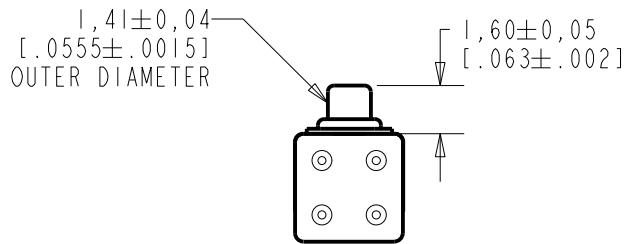
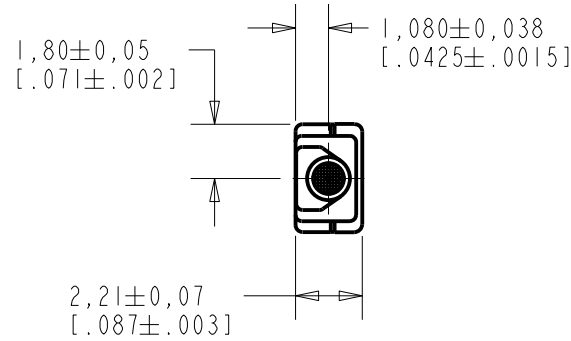


EM-24468-C36

SHT 1.1

NOTE:

1. INCREASED PRESSURE AT SOUND INLET CAUSES A POSITIVE GOING VOLTAGE TO APPEAR AT THE OUTPUT TERMINAL, RELATIVE TO THE NEGATIVE TERMINAL.



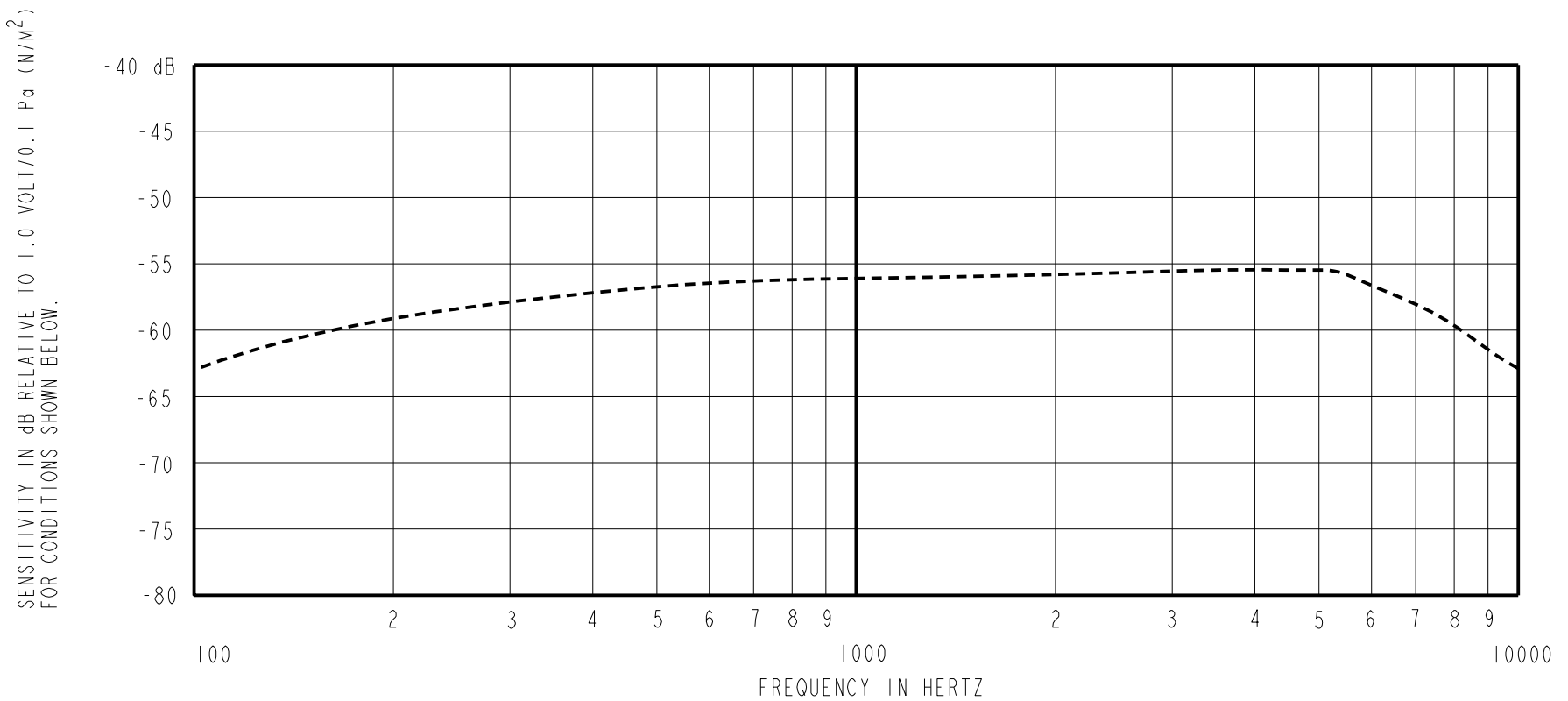
NOMINAL WEIGHT
.08 GRAM

DIMENSIONS IN MILLIMETERS [INCHES]

| Revision | C.O. # | Implementation Date | RELEASE LEVEL | REVISION |
|----------|-----------|---------------------|---------------|----------|
| F | MI0104543 | 3-13-12 | Active | F |
| E | MI0104420 | 12-22-11 | | |
| D | MI0103578 | 3-26-10 | | |

| | | | |
|--------------------------|--|----------------|------------------|
| SCALE: 4:1 | | DR. BY MMM | DATE 12-30-05 |
| DO NOT SCALE DRAWING | | | |
| TITLE: MICROPHONE | | CK. BY GJP | DATE 1-2-06 |
| EM-24468-C36 | | APP. BY GJP | DATE 1-2-06 |
| OUTLINE DRAWING | | SHT 1.1 | |

KNOWLES ELECTRONICS
ITASCA, ILLINOIS U.S.A.



| FREQUENCY | SENSITIVITY | | | DEVICE CONFORMITY | |
|-----------|-------------|-------|-------|------------------------------|------|
| | MIN. | NOM. | MAX. | RANGE OF DEVIATION FROM 1KHz | |
| 100 | --- | -63.0 | --- | -10.0 | -3.0 |
| 1000 | -59.0 | -56.0 | -53.0 | 0.0 | 0.0 |
| 4800 | --- | -55.5 | --- | -3.0 | +4.0 |

- NOTES: 1. CASE CONNECTED TO NEGATIVE TERMINAL.
 2. MICROPHONE TO BE FUNCTIONAL WITH 1.6 VDC SUPPLY.
 3. TYPICAL SENSITIVITY TO HUMIDITY AT 1000Hz IS 0.03 dB/%RH
 4. SENSITIVITY AND NOISE VALUES INDICATED ON THIS SPECIFICATION ARE VALID AT 50% HUMIDITY.

| PORT LOCATION | DC SUPPLY | AMPLIFIER CURRENT DRAIN | SENSITIVITY CHANGE ON REDUCING SUPPLY TO 0.9VDC | "A" WEIGHTED NOISE (1 kHz EQUIV. SPL) | OUTPUT IMPEDANCE OHMS | | |
|---------------|-----------|-------------------------|-------------------------------------------------|---------------------------------------|-----------------------|------|------|
| | | | | | MIN. | NOM. | MAX. |
| 12S | 1.3V | 50 µA MAX. | 3 dB MAX. | 28.0 dB MAX. | 2800 | 4400 | 6800 |

| Revision | C.O. # | Implementation Date | RELEASE LEVEL | REVISION |
|----------|-----------|---------------------|---------------|----------|
| F | M10104543 | 3-13-12 | Active | F |
| E | M10104420 | 12-22-11 | | |
| D | M10103578 | 3-26-10 | | |

| | | | |
|--------------------------------------------------------------------------------------------------------------------------------------------------------------------------------------------------------------|--|---------|----------|
| WHEN TEST LIMITS ARE USED TO ESTABLISH INCOMING INSPECTION ACCEPTANCE/REJECTION CRITERIA, CORRELATION OF TEST EQUIPMENT WITH KNOWLES IS ALSO REQUIRED FOR ELIMINATION OF EQUIPMENT AND TEST METHOD VARIATION | | DR. BY | DATE |
| | | MMM | 12-30-05 |
| | | CK. BY | DATE |
| | | GJP | 1-2-06 |
| | | APP. BY | DATE |
| | | GJP | 1-2-06 |

| | | |
|--------|---------------------------|---------------------|
| TITLE: | MICROPHONE | EM-24468-C36 |
| | PERFORMANCE SPECIFICATION | SHT 2.1 |

KNOWLES ELECTRONICS
ITASCA, ILLINOIS U.S.A.