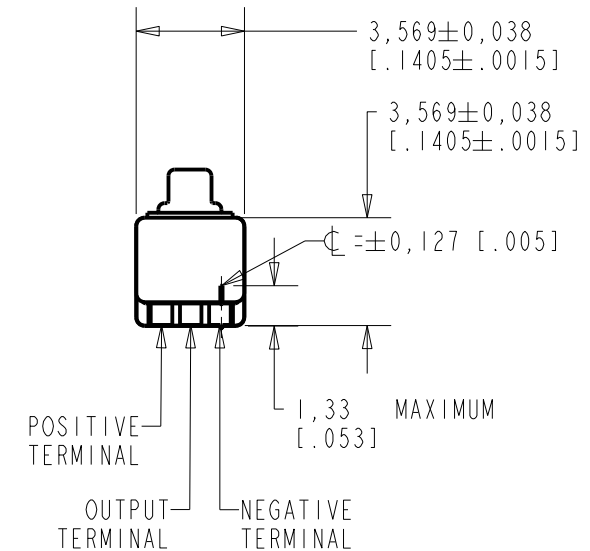
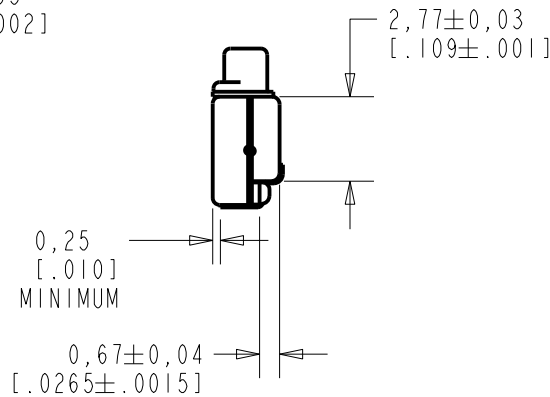
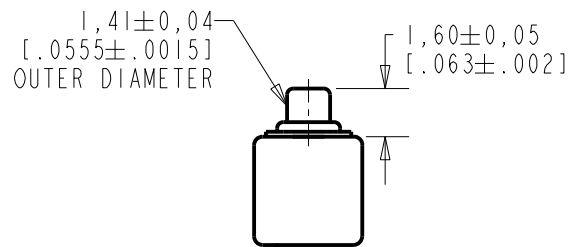
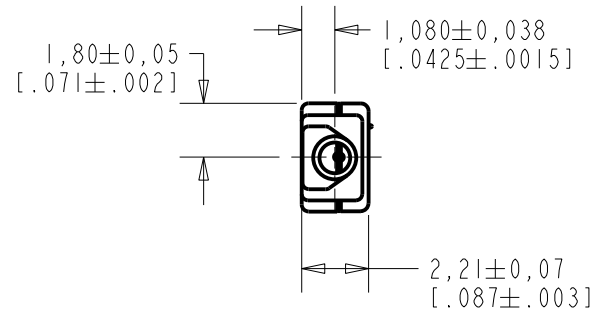


EM-25047-C36

SHT 1.1

NOTE:

1. INCREASED PRESSURE AT SOUND INLET CAUSES A POSITIVE GOING VOLTAGE TO APPEAR AT THE OUTPUT TERMINAL, RELATIVE TO THE NEGATIVE TERMINAL.



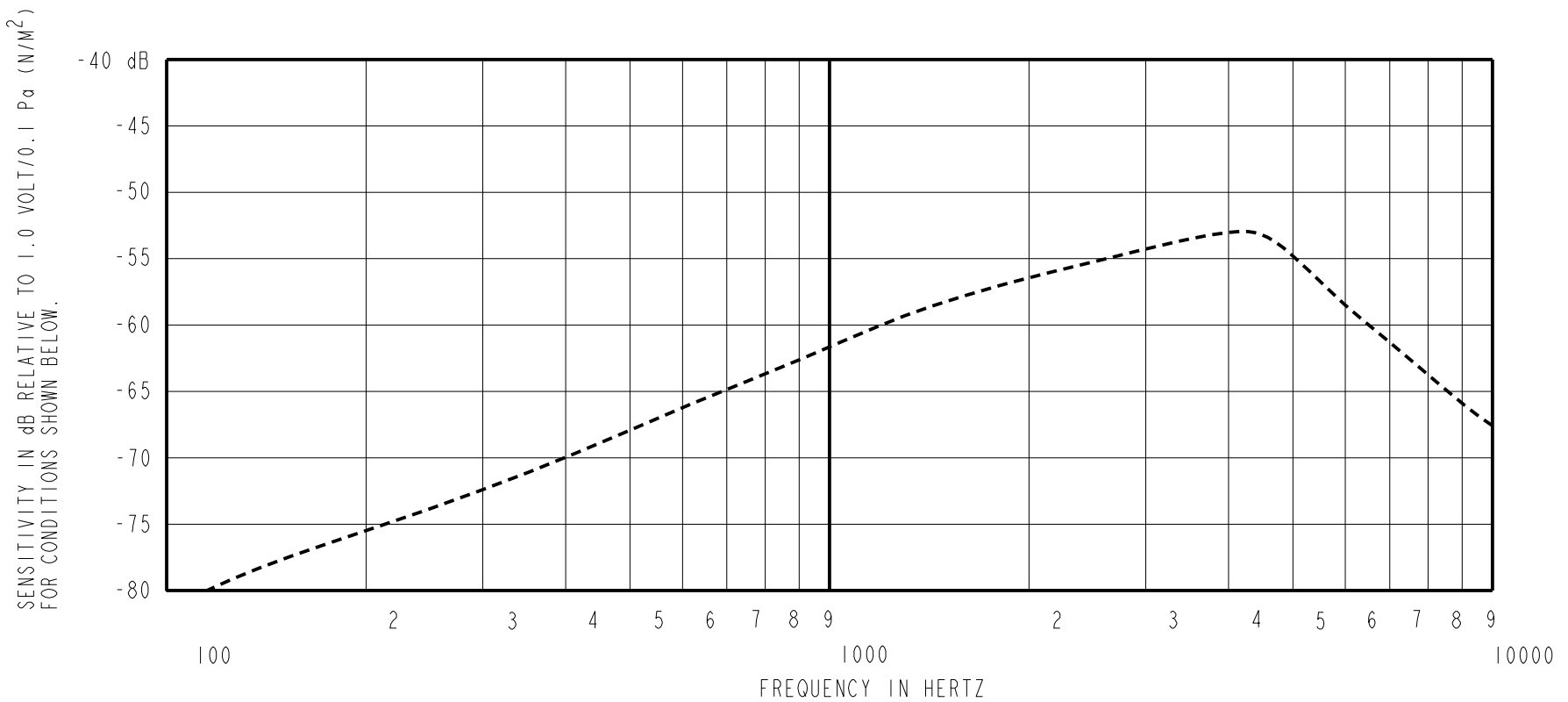
NOMINAL WEIGHT
.08 GRAMS

DIMENSIONS IN MILLIMETERS [INCHES]

Revision	C.O. #	Implementation Date	RELEASE LEVEL	REVISION
C	MI0104420	12-22-11	Active	C
B	MI0102035	7-7-08		
A	MI0100712	7-8-05		

SCALE: 4:1		DR. BY: DATE
DO NOT SCALE DRAWING		MMM 7-8-05
TITLE: MICROPHONE		CK. BY: DATE
OUTLINE DRAWING		GJP 7-11-05
EM-25047-C36		APP. BY: DATE
SHT 1.1		GJP 7-11-05

KNOWLES ELECTRONICS
ITASCA, ILLINOIS U.S.A.



FREQUENCY	SENSITIVITY			DEVICE CONFORMITY	
	MIN.	NOM.	MAX.	RANGE OF DEVIATION FROM 1KHz	
500	-71.0	-68.0	-65.0	---	---
3500-5500	---	-53.5	---	10.5	18.5
6000	-61.5	-57.5	-53.5	---	---

NOTES:

1. CASE CONNECTED TO NEGATIVE TERMINAL.
2. MICROPHONE TO BE FUNCTIONAL WITH 10 VDC SUPPLY.
3. TYPICAL SENSITIVITY TO HUMIDITY AT 1000Hz IS 0.03 dB/%RH
4. SENSITIVITY AND NOISE VALUES INDICATED ON THIS SPECIFICATION ARE VALID AT 50% HUMIDITY.

DC SUPPLY	AMPLIFIER CURRENT DRAIN	SENSITIVITY CHANGE ON REDUCING SUPPLY TO 0.9VDC	"A" WEIGHTED NOISE (RE 1.0 VOLT)	OUTPUT IMPEDANCE OHMS		
				MIN.	NOM.	MAX.
1.3V	50 μ A MAX.	3 dB MAX.	-99.0 dB MAX.	2000	2800	4000

Revision	C.O. #	Implementation Date	RELEASE LEVEL	REVISION
C	M10104420	12-22-11	Active	C
B	M10102035	7-7-08		
A	M10100712	7-8-05		

KNOWLES ELECTRONICS
ITASCA, ILLINOIS U.S.A.

WHEN TEST LIMITS ARE USED TO ESTABLISH INCOMING INSPECTION ACCEPTANCE/REJECTION CRITERIA, CORRELATION OF TEST EQUIPMENT WITH KNOWLES IS ALSO REQUIRED FOR ELIMINATION OF EQUIPMENT AND TEST METHOD VARIATION

TITLE: **MICROPHONE** **EM-25047-C36**
PERFORMANCE SPECIFICATION **SHT 2.1**

DR. BY	DATE
MMM	7-8-05
CK. BY	DATE
GJP	7-11-05
APP. BY	DATE
GJP	7-11-05