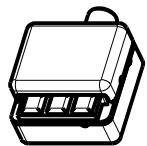
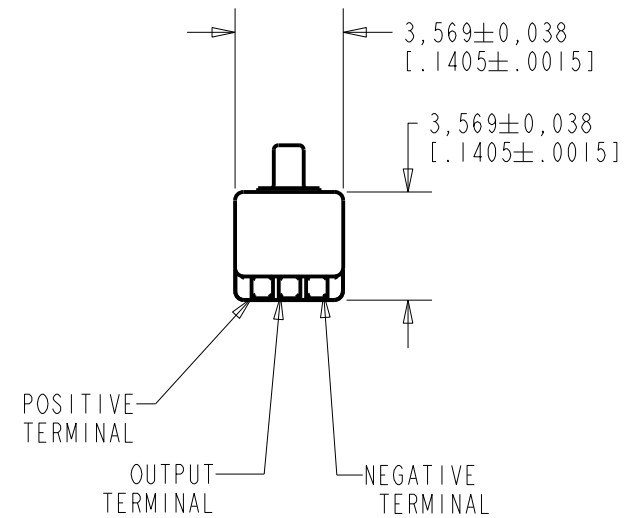
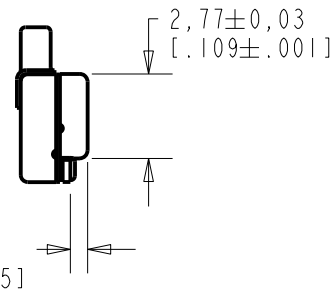
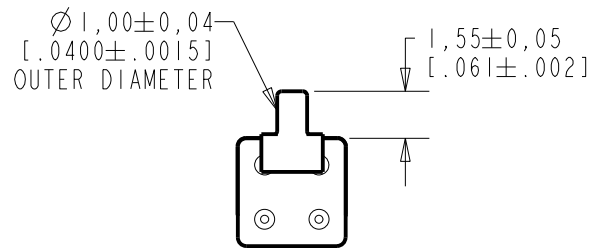
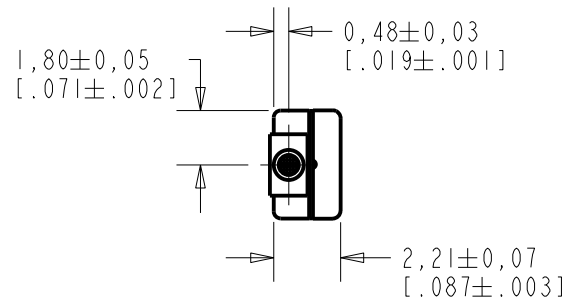


EM-26596-C36
SHT 1.1

NOTE:

1. INCREASED PRESSURE AT SOUND INLET CAUSES A POSITIVE GOING VOLTAGE TO APPEAR AT THE OUTPUT TERMINAL, RELATIVE TO THE NEGATIVE TERMINAL.



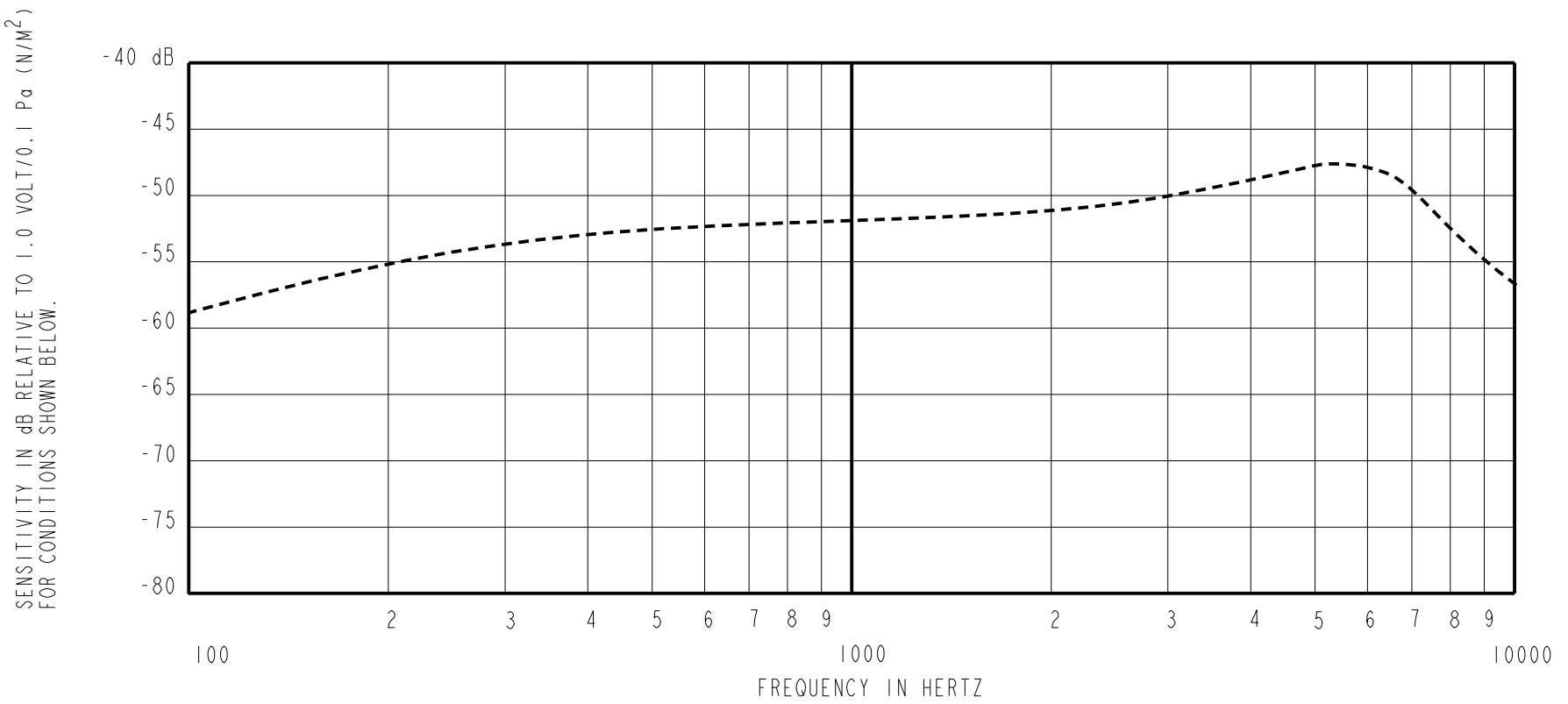
NOMINAL WEIGHT
.08 GRAMS

DIMENSIONS IN MILLIMETERS [INCHES]

| Revision | C.O. # | Implementation Date | RELEASE LEVEL | REVISION |
|----------|-----------|---------------------|---------------|----------|
| E | MI0104239 | 7-12-11 | Active | E |
| D | MI0102070 | 12-30-08 | | |
| | | | | |

| | | |
|----------------------|--|---------------|
| SCALE: 4:1 | | DR. BY: DATE |
| DO NOT SCALE DRAWING | | MMM 12-28-05 |
| TITLE: MICROPHONE | | CK. BY: DATE |
| OUTLINE DRAWING | | GJP 1-2-06 |
| EM-26596-C36 | | APP. BY: DATE |
| SHT 1.1 | | GJP 1-2-06 |

KNOWLES ELECTRONICS
ITASCA, ILLINOIS U.S.A.



| FREQUENCY | SENSITIVITY | | | DEVICE CONFORMITY | |
|-----------|-------------|-------|-------|------------------------------|------|
| | MIN. | NOM. | MAX. | RANGE OF DEVIATION FROM 1KHz | |
| 100 | --- | -59.0 | --- | -10.0 | -3.0 |
| 1000 | -55.0 | -52.0 | -49.0 | 0.0 | 0.0 |
| ≈ 5000 | --- | -47.5 | --- | +1.5 | +7.5 |

NOTES:

1. CASE CONNECTED TO NEGATIVE TERMINAL.
2. MICROPHONE TO BE FUNCTIONAL WITH 1.6 VDC SUPPLY.
3. TYPICAL SENSITIVITY TO HUMIDITY AT 1000Hz IS 0.03 dB/%RH
4. SENSITIVITY AND NOISE VALUES INDICATED ON THIS SPECIFICATION ARE VALID AT 50% HUMIDITY.

| PORT LOCATION | DC SUPPLY | AMPLIFIER CURRENT DRAIN | SENSITIVITY CHANGE ON REDUCING SUPPLY TO 0.9VDC | "A" WEIGHTED NOISE (1 KHz EQUIV. SPL) | OUTPUT IMPEDANCE OHMS | | |
|---------------|-----------|-------------------------|-------------------------------------------------|---------------------------------------|-----------------------|------|------|
| | | | | | MIN. | NOM. | MAX. |
| 12B | 1.3V | 50 μA MAX. | 3 dB MAX. | 28.0 dB MAX. | 2800 | 4400 | 6800 |

| Revision | C.O. # | Implementation Date | RELEASE LEVEL | REVISION |
|----------|-----------|---------------------|---------------|----------|
| E | M10104239 | 7-12-11 | Active | E |
| D | M10102070 | 12-30-08 | | |
| | | | | |

| | | | |
|--------------------------------------------------------------------------------------------------------------------------------------------------------------------------------------------------------------|--|---------|----------|
| WHEN TEST LIMITS ARE USED TO ESTABLISH INCOMING INSPECTION ACCEPTANCE/REJECTION CRITERIA, CORRELATION OF TEST EQUIPMENT WITH KNOWLES IS ALSO REQUIRED FOR ELIMINATION OF EQUIPMENT AND TEST METHOD VARIATION | | DR. BY | DATE |
| | | MMM | 12-28-05 |
| | | CK. BY | DATE |
| | | GJP | 1-2-06 |
| | | APP. BY | DATE |
| | | GJP | 1-2-06 |

| | | |
|--------|---------------------------|---------------------|
| TITLE: | MICROPHONE | EM-26596-C36 |
| | PERFORMANCE SPECIFICATION | SHT 2.1 |

KNOWLES ELECTRONICS
ITASCA, ILLINOIS U.S.A.