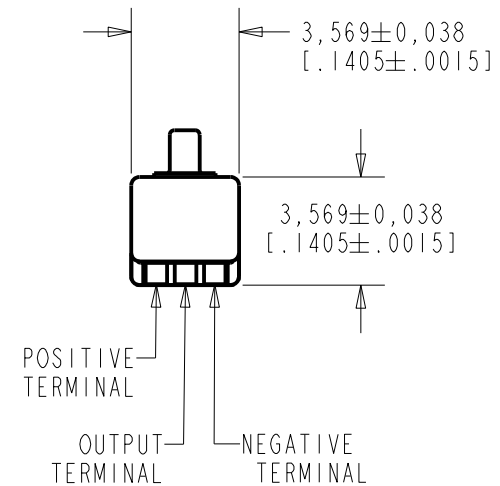
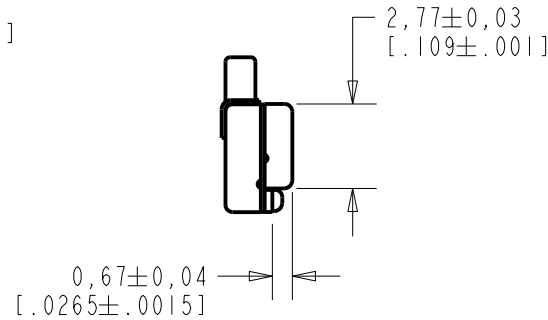
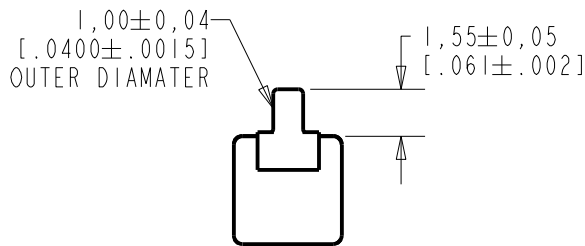
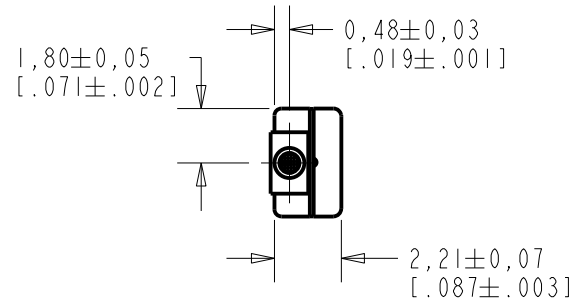


**EM-27012-000**

**SHT 1.1**

NOTE:

1. INCREASED PRESSURE AT SOUND INLET CAUSES A POSITIVE GOING VOLTAGE TO APPEAR AT THE OUTPUT TERMINAL, RELATIVE TO THE NEGATIVE TERMINAL.



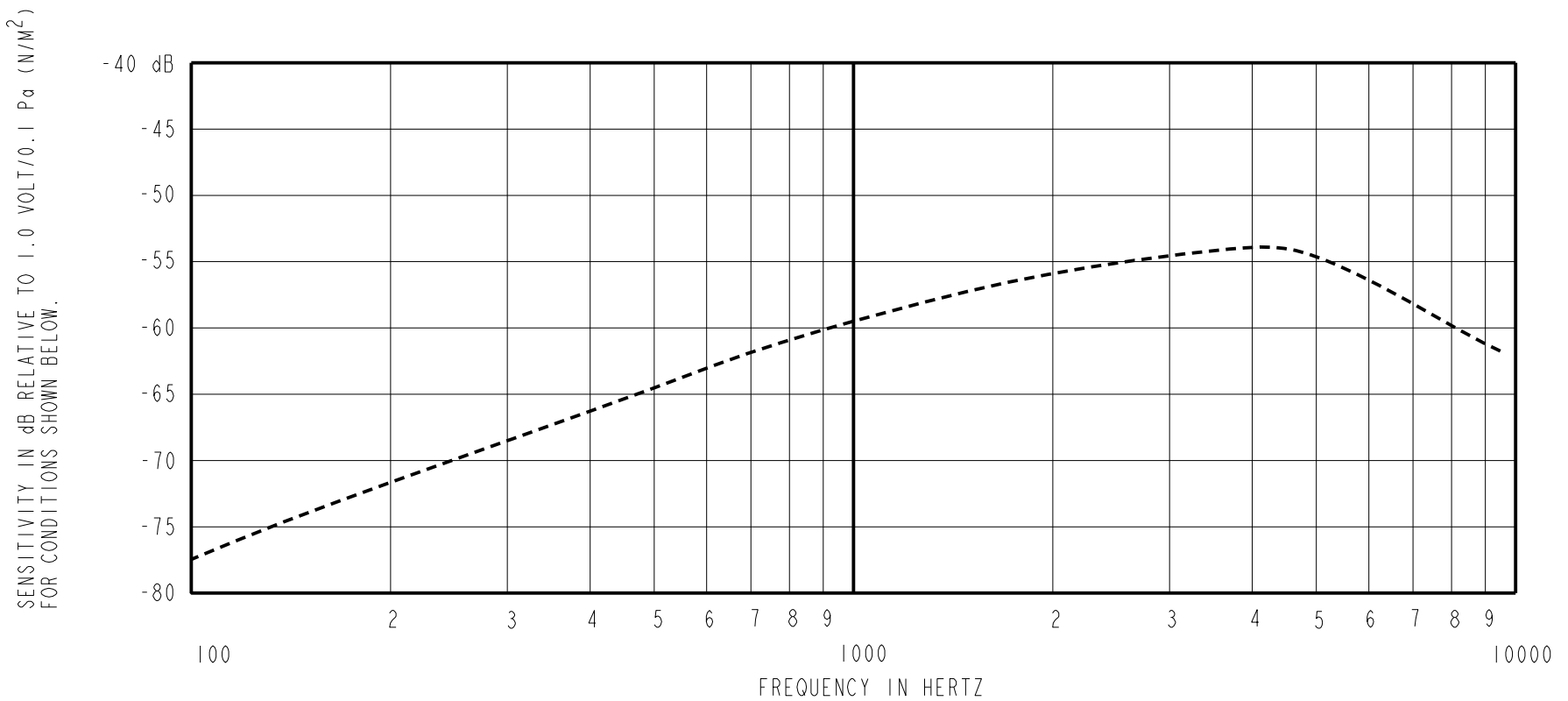
NOMINAL WEIGHT  
.08 GRAMS

DIMENSIONS IN MILLIMETERS [INCHES]

Revision	C.O. #	Implementation Date	RELEASE LEVEL	REVISION
C	MI0104420	11-23-11	<b>Active</b>	<b>C</b>
B	MI0102070	12-30-08		
A	MI0101356	1-18-07		

SCALE: <b>4:1</b>		DR. BY: LSY	DATE: 1-18-07
DO NOT SCALE DRAWING			
TITLE: <b>MICROPHONE</b>	<b>EM-27012-000</b>	CK. BY: GJP	DATE: 1-26-07
OUTLINE DRAWING	<b>SHT 1.1</b>	APP. BY: GJP	DATE: 1-26-07

**KNOWLES ELECTRONICS**  
ITASCA, ILLINOIS U.S.A.



FREQUENCY	SENSITIVITY			DEVICE CONFORMITY	
	MIN.	NOM.	MAX.	RANGE OF DEVIATION FROM 1KHz	
300	---	-68.5	---	-10.5	-7.5
1000	-63.5	-59.5	-55.0	0.0	0.0
≈ 4500	---	-54.0	---	+1.5	+9.5

NOTES:

1. CASE CONNECTED TO NEGATIVE TERMINAL.
2. MICROPHONE TO BE FUNCTIONAL WITH 10 VDC SUPPLY.
3. TYPICAL SENSITIVITY TO HUMIDITY AT 1000Hz IS 0.06 dB/%RH
4. SENSITIVITY AND NOISE VALUES INDICATED ON THIS SPECIFICATION ARE VALID AT 50% HUMIDITY.

PORT LOCATION	DC SUPPLY	AMPLIFIER CURRENT DRAIN	SENSITIVITY CHANGE ON REDUCING SUPPLY TO 0.9VDC	"A" WEIGHTED NOISE (RE 1 VOLT)	OUTPUT IMPEDANCE OHMS		
					MIN.	NOM.	MAX.
12B	1.3V	50 μA MAX.	3 dB MAX.	-97.0 dB MAX.	2800	4400	6800

Revision	C.O. #	Implementation Date	RELEASE LEVEL	REVISION
C	M10104420	11-23-11	<b>Active</b>	<b>C</b>
B	M10102070	12-30-08		
A	M10101356	1-18-07		

WHEN TEST LIMITS ARE USED TO ESTABLISH INCOMING INSPECTION ACCEPTANCE/REJECTION CRITERIA, CORRELATION OF TEST EQUIPMENT WITH KNOWLES IS ALSO REQUIRED FOR ELIMINATION OF EQUIPMENT AND TEST METHOD VARIATION		DR. BY	DATE
		LSY	1-18-07
		CK. BY	DATE
		GJP	1-26-07
		APP. BY	DATE
		GJP	1-26-07

TITLE:	<b>MICROPHONE</b>	<b>EM-27012-000</b>
	PERFORMANCE SPECIFICATION	<b>SHT 2.1</b>

**KNOWLES ELECTRONICS**  
ITASCA, ILLINOIS U.S.A.