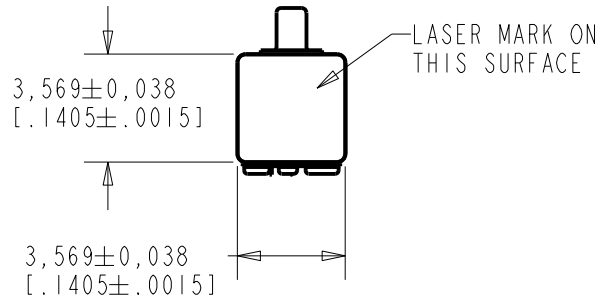
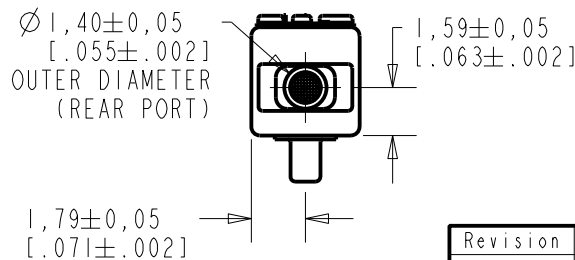
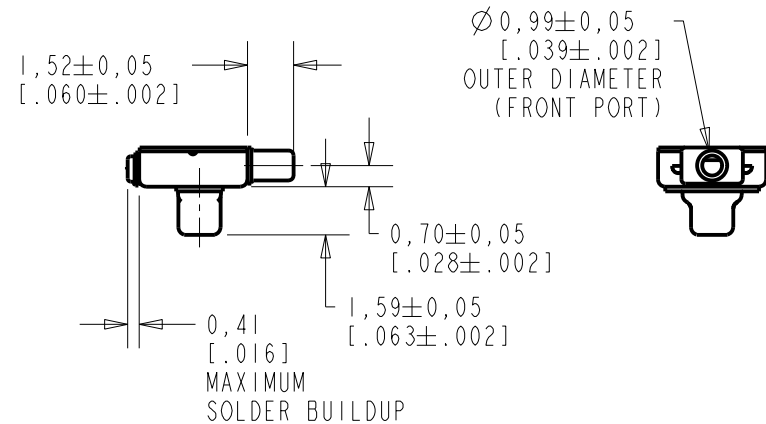
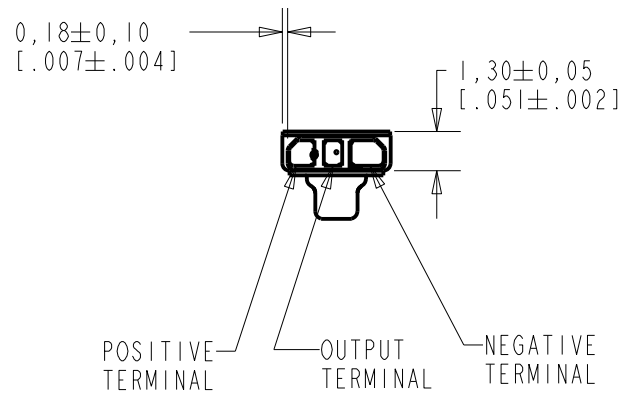


TD-24610-000
SHT 1.1



NOTES:

- INCREASED PRESSURE AT THE SOUND INLET CAUSES A POSITIVE GOING VOLTAGE TO APPEAR AT THE OUTPUT TERMINAL, RELATIVE TO THE NEGATIVE TERMINAL.



NOMINAL WEIGHT
.063 GRAMS

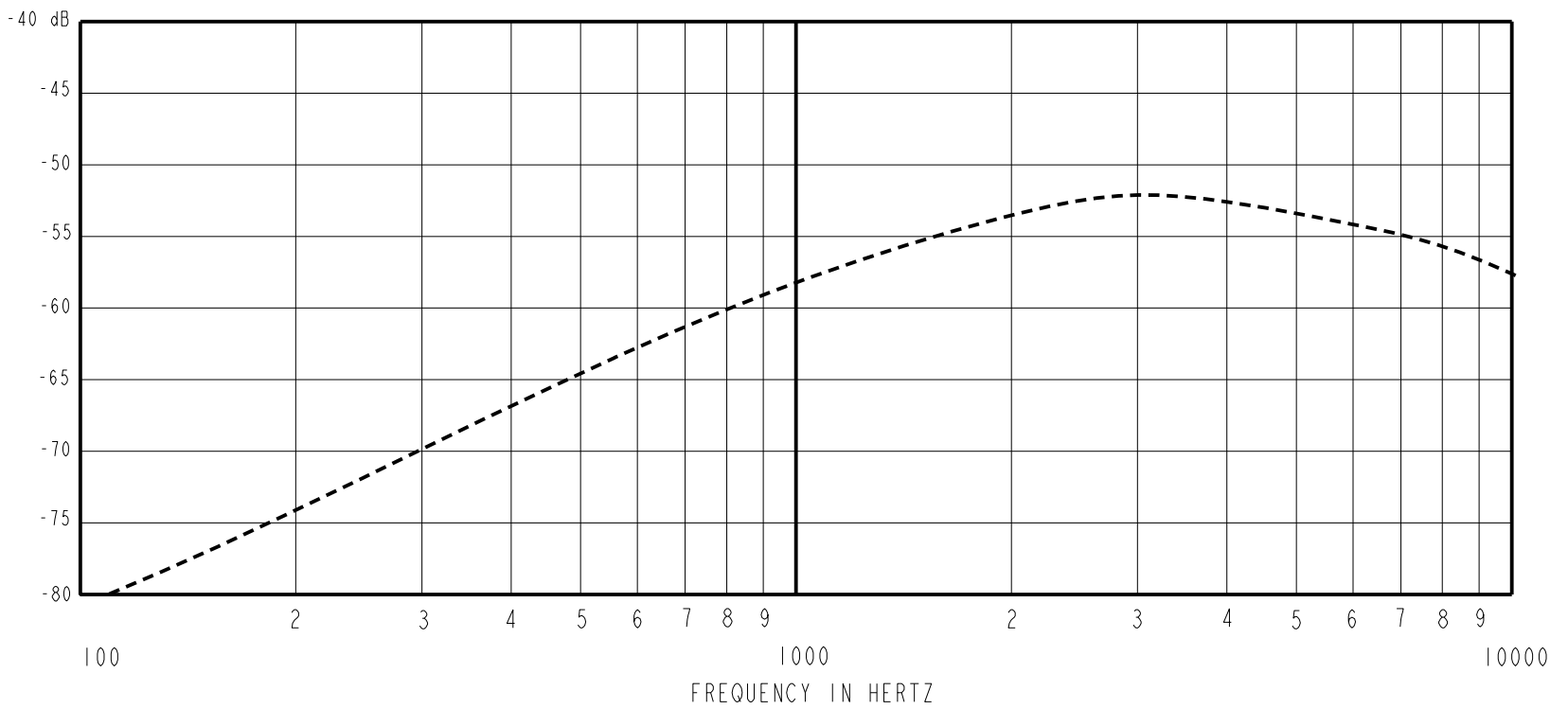
DIMENSIONS IN MILLIMETERS [INCHES]

| Revision | C.O. # | Implementation Date | RELEASE LEVEL | REVISION |
|----------|-----------|---------------------|---------------|----------|
| H | MI0105050 | 5-20-13 | Active | H |
| G | MI0104483 | 1-31-12 | | |

| | | | |
|----------------------|--|---------|---------|
| SCALE: 4:1 | | DR. BY | DATE |
| DO NOT SCALE DRAWING | | MMM | 1-17-06 |
| TITLE: MICROPHONE | | CK. BY | DATE |
| OUTLINE DRAWING | | GJP | 1-19-06 |
| TD-24610-000 | | APP. BY | DATE |
| SHT 1.1 | | GJP | 1-19-06 |

KNOWLES ELECTRONICS
ITASCA, ILLINOIS U.S.A.

SENSITIVITY IN dB RELATIVE TO 1.0 VOLT/0.1 Pa (N/M²)
FOR CONDITIONS SHOWN BELOW.

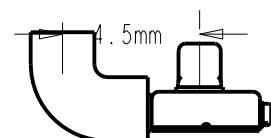
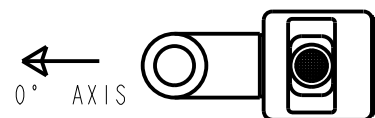


| FREQUENCY | SENSITIVITY | | | DEVICE CONFORMITY | |
|-----------|-------------|-------|-------|------------------------------|-------|
| | MIN. | NOM. | MAX. | RANGE OF DEVIATION FROM 1KHz | |
| 100 | --- | -68.0 | --- | -13.5 | -2.5 |
| 1000 | -60.5 | -57.5 | -54.5 | 0.0 | 0.0 |
| ~9500 | --- | -50.0 | --- | +4.0 | +10.0 |

| INTERNAL DELAY | 8μS | 11μS | 14μS |
|----------------|-----|------|------|
|----------------|-----|------|------|

- NOTES:
1. CASE CONNECTED TO NEGATIVE TERMINAL.
 2. MICROPHONE TO BE FUNCTIONAL WITH 1.6 VDC SUPPLY.
 3. TYPICAL SENSITIVITY TO HUMIDITY AT 1000Hz IS 0.07 dB/%RH
 4. SENSITIVITY AND NOISE VALUES INDICATED ON THIS SPECIFICATION ARE VALID AT 50% HUMIDITY.
 5. MICROPHONE TESTED WITH REAR PORT BLOCKED.

| PORT LOCATION | DC SUPPLY | AMPLIFIER CURRENT DRAIN | SENSITIVITY CHANGE ON REDUCING SUPPLY TO 0.9VDC | "A" WEIGHTED NOISE (dB re 1Vrms) | OUTPUT IMPEDANCE OHMS | | |
|---------------|-----------|-------------------------|---|----------------------------------|-----------------------|------|------|
| | | | | | MIN. | NOM. | MAX. |
| 12C, 12KP | 1.3V | 50 μA MAX. | 3 dB MAX. | -98.0 dB MAX. | 2800 | 4400 | 6800 |



SCALE 4:1

| Revision | C.O. # | Implementation Date | RELEASE LEVEL | REVISION |
|----------|-----------|---------------------|---------------|----------|
| H | M10105050 | 5-20-13 | Active | H |
| G | M10104483 | 1-31-12 | | |
| | | | | |

| | | | | |
|---|--|--------------------------------|---------|---------|
| <p>KNOWLES ELECTRONICS ITASCA, ILLINOIS U.S.A.</p> | WHEN TEST LIMITS ARE USED TO ESTABLISH INCOMING INSPECTION ACCEPTANCE/REJECTION CRITERIA, CORRELATION OF TEST EQUIPMENT WITH KNOWLES IS ALSO REQUIRED FOR ELIMINATION OF EQUIPMENT AND TEST METHOD VARIATION | | DR. BY | DATE |
| | TITLE: MICROPHONE PERFORMANCE SPECIFICATION | TD-24610-000 SHT 2.1 | MMM | 1-17-06 |
| | | | GJP | 1-19-06 |
| | | | APP. BY | DATE |
| | | GJP | 1-19-06 | |